

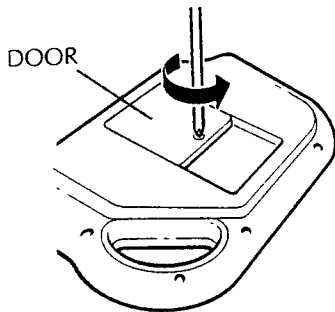


Lights'n Surprise Laptop™

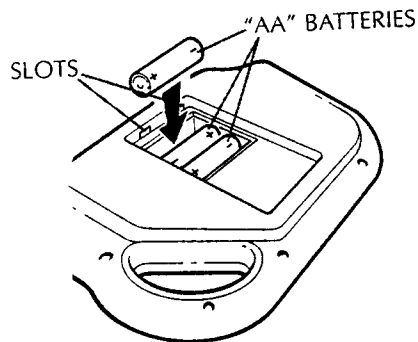
Thank you for purchasing the Lights 'n Surprise Laptop from Playskool! If you have any questions or comments, please call us toll-free at 1-800-PLAYSKL. Includes toy with batteries and instructions. Phillips screwdriver needed for battery replacement.

TO REPLACE BATTERIES:

Your child's first computer comes with batteries. When computer has "gone down," replace exhausted batteries with 3 fresh "AA" batteries (alkaline recommended) as follows:



1. Using a Phillips screwdriver, loosen screw in battery compartment door on back of "computer terminal". (Screw will remain attached to door.) Remove door.



2. Remove exhausted batteries. Insert 3 fresh "AA" batteries as shown. Insert tabs on end of door into slots in compartment opening, and lower door into place. Tighten screw. Your computer is now ready to reboot!

CAUTION: TO AVOID BATTERY LEAKAGE

1. Be sure to insert the batteries correctly and always follow the toy and battery manufacturers' instructions.
2. Never mix old batteries and new batteries, or alkaline, standard (carbon-zinc) or rechargeable batteries.
3. Always remove exhausted or dead batteries from the product.

FCC STATEMENT:

"This equipment has been tested and found to comply with the limits for a Class B digital device, pursuant to Part 15 of the FCC Rules. These limits are designed to provide reasonable protection against harmful interference in a residential installation. This equipment generates, uses and can radiate radio frequency energy, and, if not installed and used in accordance with the instructions, may cause harmful interference to radio communications. However, there is no guarantee that interference will not occur in a particular installation. If this equipment does cause harmful interference to radio or television reception, which can be determined by turning the equipment off and on, the user is encouraged to try to correct the interference by one or more of the following measures:

- Reorient or relocate the receiving antenna.
- Increase the separation between the equipment and the receiver.
- Consult the dealer or an experienced radio/TV technician for help."

Product and colors may vary.

©1995 Hasbro, Inc., Pawtucket, RI 02862 USA. All Rights Reserved.
 ® denotes Reg. U.S. Pat. & TM Office.

MADE IN CHINA
 P/N 46580600

