

# Lincoln Logs<sup>®</sup>

## Castle Fortress Playset

**WARNING:**  
CHOKING HAZARD - Small parts.  
Not for children under 3 years.

Questions? Call: **1-800-PLAYSKL**

### INSTRUCTIONS

Lincoln Logs are made of real wood for lasting durability and good looks. Easy-fitting plastic accessories including a drawbridge, tower, platforms, windows and a door add colorful fun.

These instructions show you how to make the sets pictured. Using your own creativity, you can make many other structures with this set or combine this set with other Lincoln Logs sets to create larger and more exciting layouts!

#### Castle Fortress Playset

##### Includes:

- (26) #1 logs
- (24) #3 logs
- (4) #4 logs
- (4) #5 logs
- (2) #11 logs
- (2) knight figures
- (2) windows
- (2) platforms
- drawbridge
- castle tower
- door and flag



#1 LOGS



#3 LOGS



#4 LOGS

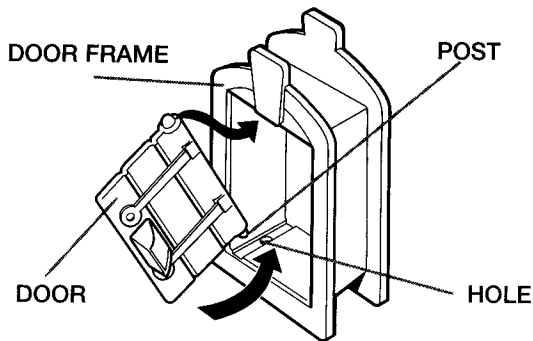


#5 LOGS



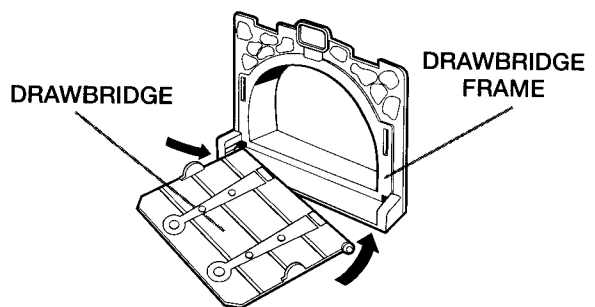
#11 LOGS

#### TO INSERT DOOR INTO DOOR FRAME:



Snap posts on door into holes in top and bottom of door frame.

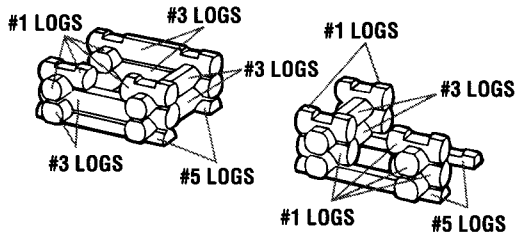
#### TO ASSEMBLE DRAWBRIDGE:



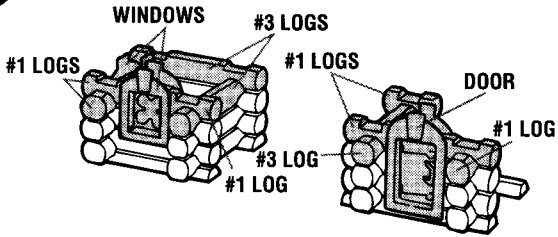
Snap drawbridge into frame as shown. When assembled correctly, the drawbridge will freely swing open and closed.

# CASTLE #1

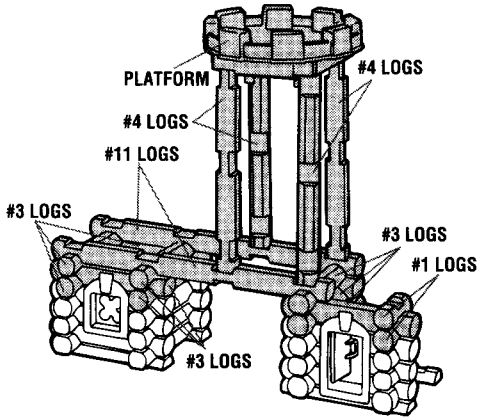
1



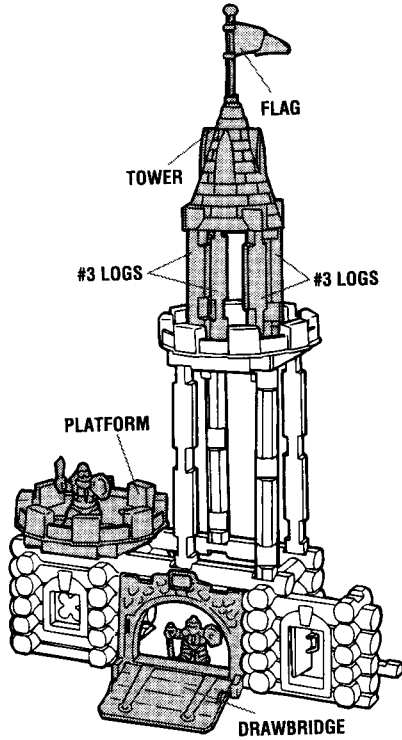
2



3

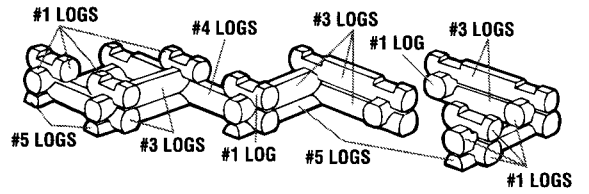


4

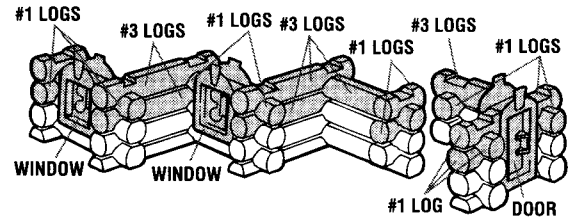


# CASTLE #2

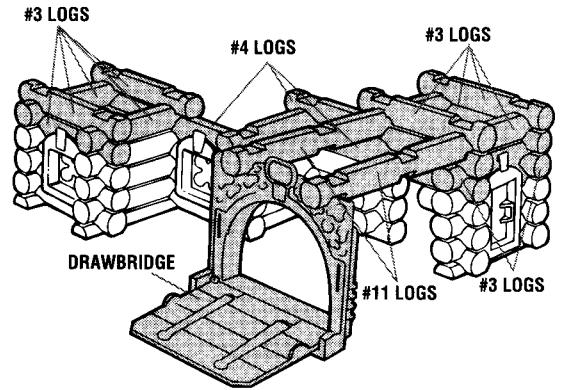
1



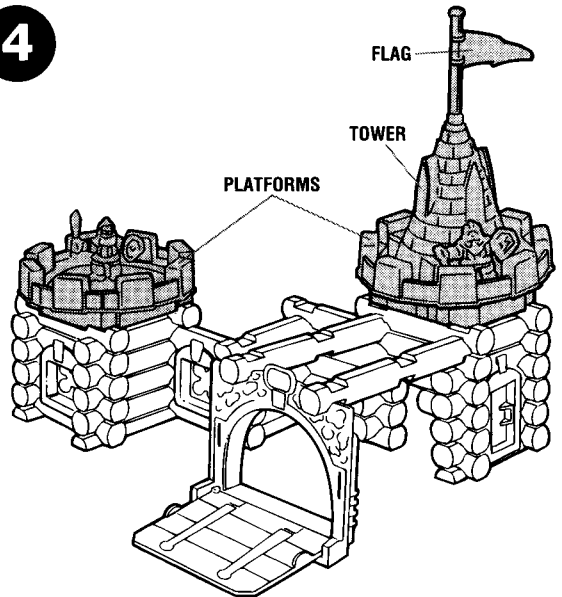
2



3

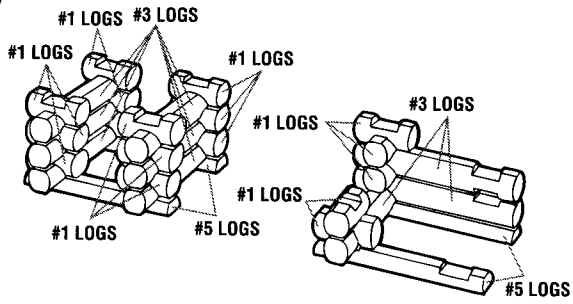


4

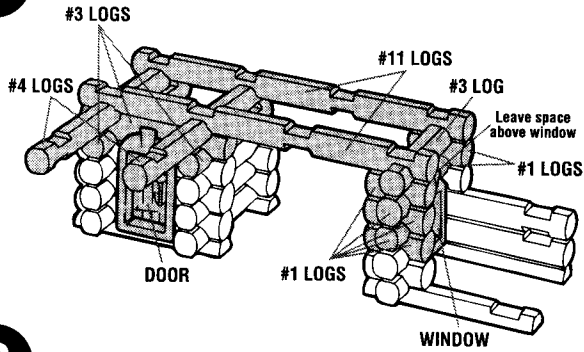


# CASTLE #3

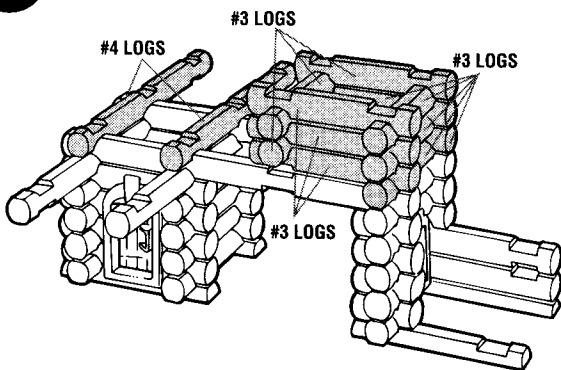
1



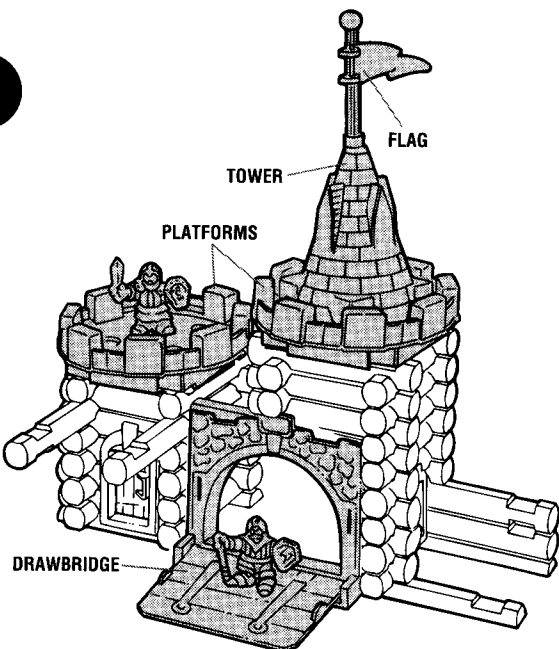
2



3

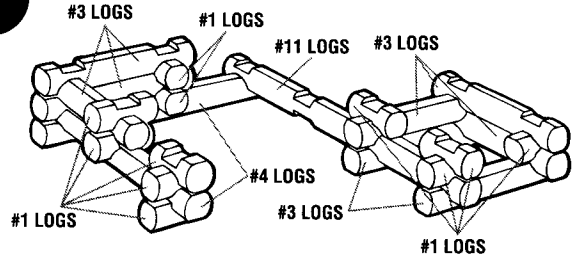


4

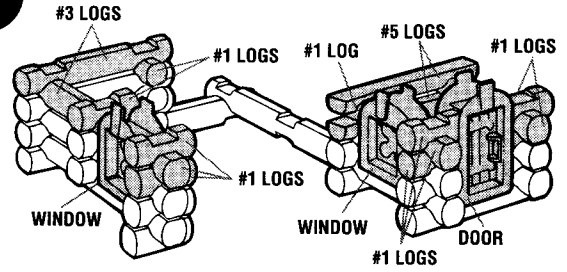


# CASTLE #4

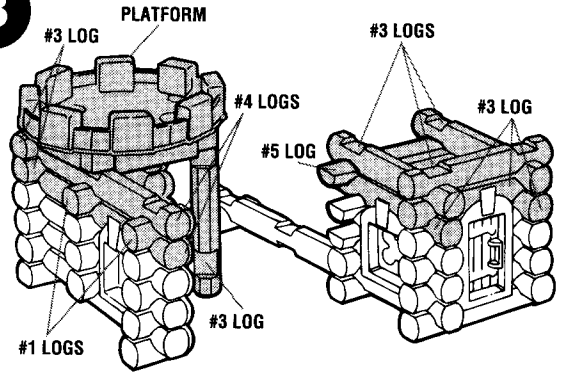
1



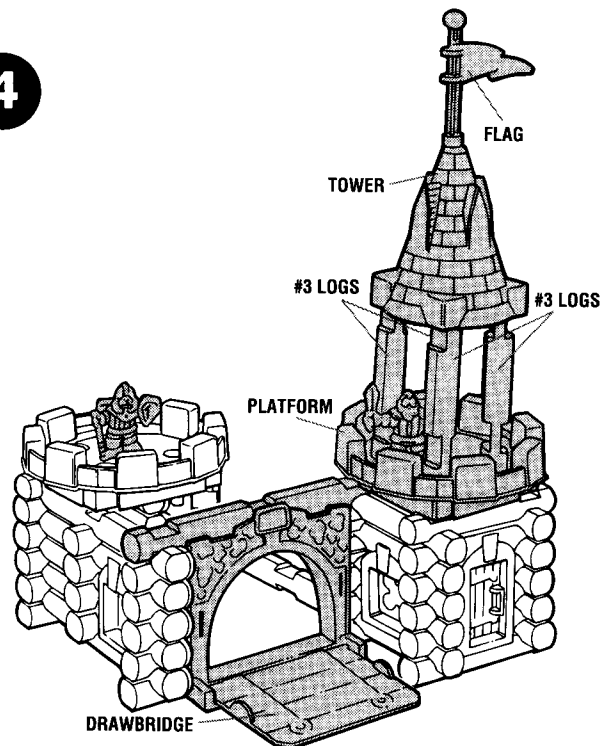
2



3

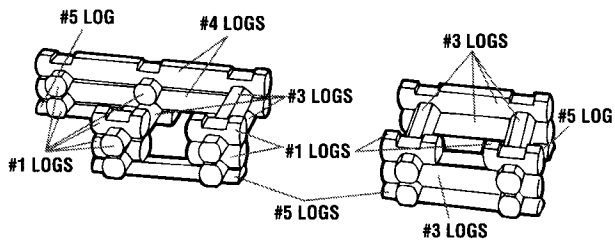


4

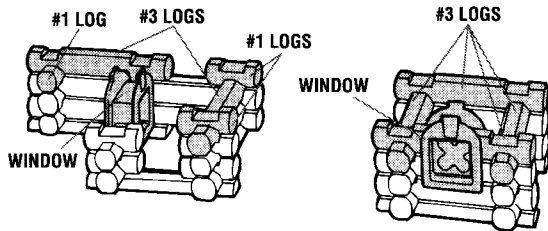


# CASTLE #5

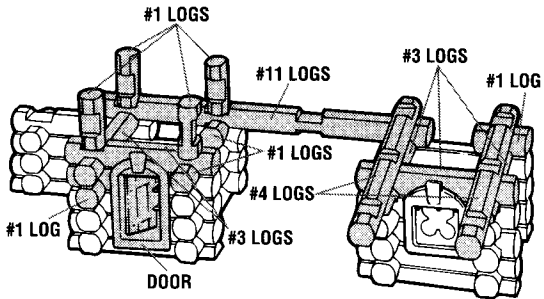
1



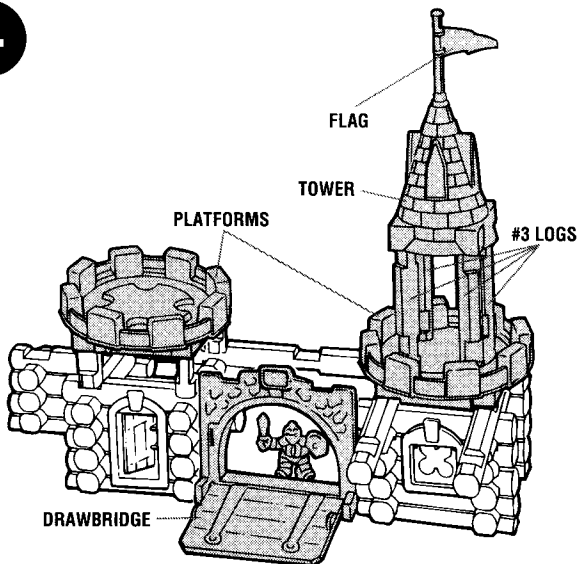
2



3

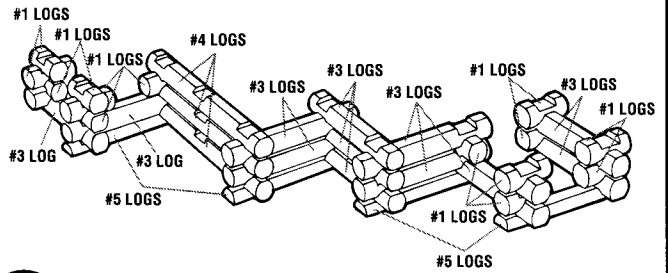


4

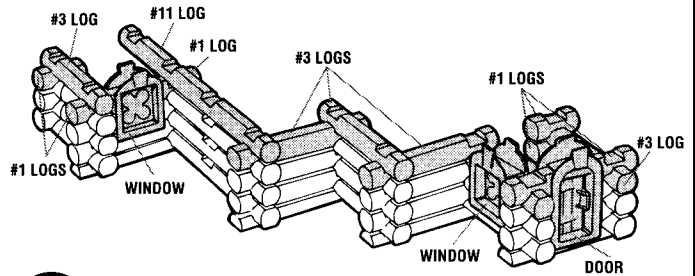


# CASTLE #6

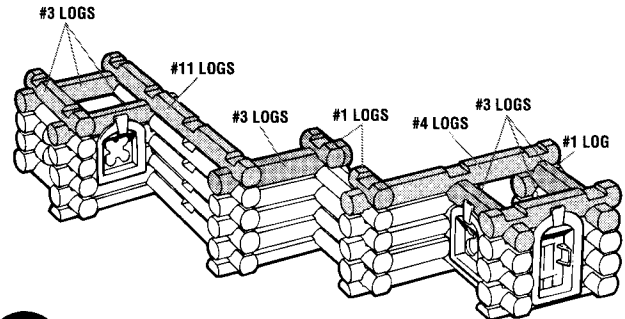
1



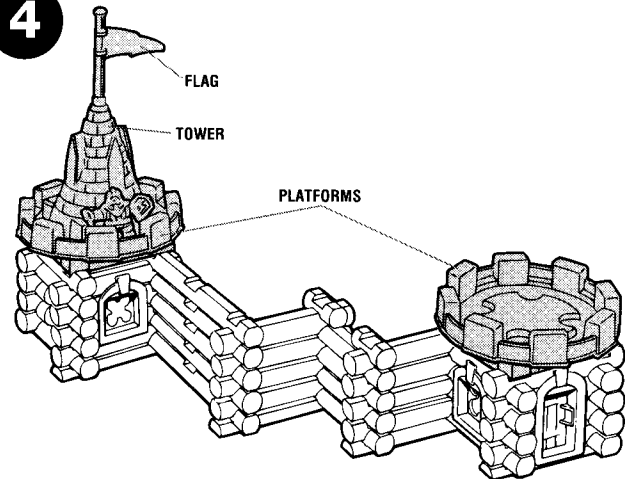
2



3



4



© 1995 Hasbro, Inc., Pawtucket, RI 02862 U.S.A. All Rights Reserved  
 ® denotes Reg. U.S. Pat & TM Office.

**LOGS MADE IN MEXICO. KNIGHT FIGURES MADE IN CHINA.  
 ALL OTHER PARTS MADE IN USA. PACKAGED IN MEXICO.**