



Disney's

FRONTIERLAND LEAN-TO CABIN



# LINCOLN LOGS®

Lincoln Logs® are made of real wood for lasting durability and good looks. These instructions show you how to make the set pictured. Using your own creativity, you can make many other structures with this set or combine this set with other Lincoln Logs sets to create larger and more exciting layouts!

**WARNING:**  
CHOKING HAZARD - Small Parts.  
Not for children under 3 years.

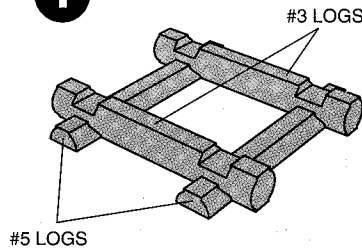
## INSTRUCTIONS

  
#1 LOGS (20)

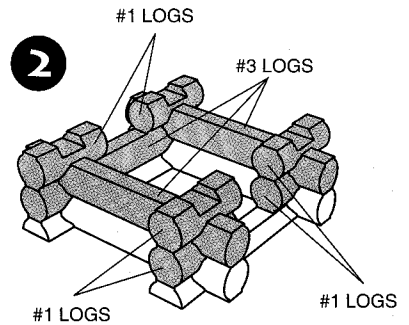
  
#3 LOGS (6)

  
#5 LOGS (10)

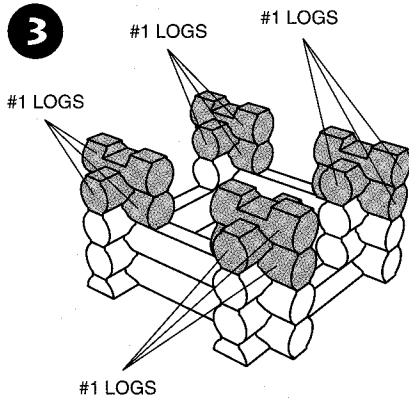
1



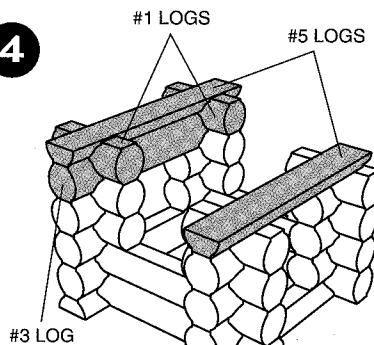
2



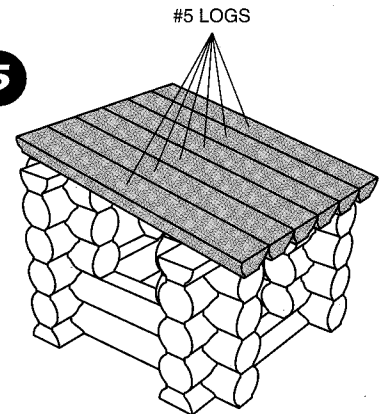
3



4



5



### TIP FOR PARENTS:

Because Lincoln Logs® are colored and stained in the traditional manner, the dyes can rub off. Use is recommended on surfaces that can be wiped clean. Avoid placing the logs directly on carpet and other absorbent surfaces, which may cause staining.

© Disney

Walt Disney Parks and Resorts, Lake Buena Vista, FL 32830

\*®, \*™ and © 2001 Hasbro, Inc., Pawtucket, Rhode Island 02862 USA All Rights Reserved. © denotes Reg. U.S. Pat. & TM Office.

MADE IN CHINA