

Lite·Brite®

INSTRUCTIONS

**CAUTION: ELECTRIC TOY
NOT RECOMMENDED FOR CHILDREN
UNDER 4 YEARS OF AGE.**

**AS WITH ALL ELECTRICAL PRODUCTS PRECAUTIONS
SHOULD BE OBSERVED DURING HANDLING
AND USE TO PREVENT ELECTRICAL SHOCK.
110-120 V 50/60 HZ .21 AMPS 25 WATTS AC ONLY**

Be sure to remove the plug from the wall outlet when not using your LITE BRITE. Parents should periodically inspect the cord and plug for damages and repair if necessary. Adult supervision is recommended for children playing with electrical toys operating at 120 volts.

**WARNING: CHOKE HAZARD
CONTAINS SMALL PARTS THAT MAY BE
SWALLOWED OR INHALED BY
CHILDREN UNDER 4 YEARS OF AGE.**

LITE-BRITE® CONTENTS

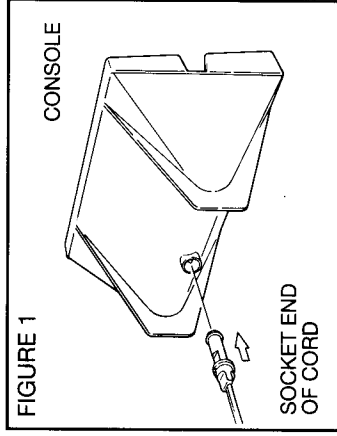
LITE-BRITE console
Snap-in cord
2 Screws
1 Black peg screen

Colored pegs
16 Pre-coded pictures
Peg storage bag

HOW TO ASSEMBLE YOUR CONSOLE

Make sure the cord is **NOT** plugged in while you are assembling your console.

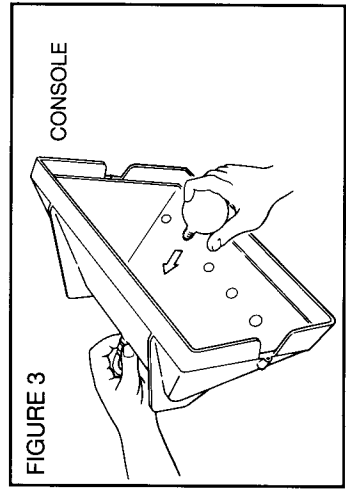
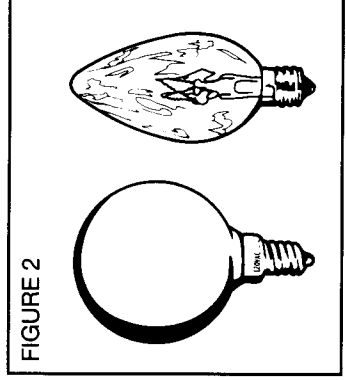
1. SNAP IN THE CORD. Firmly push the socket end of the cord into the hole in the back of the console, until it snaps into place. See Figure 1. Once the cord is assembled to the console, it stays assembled.



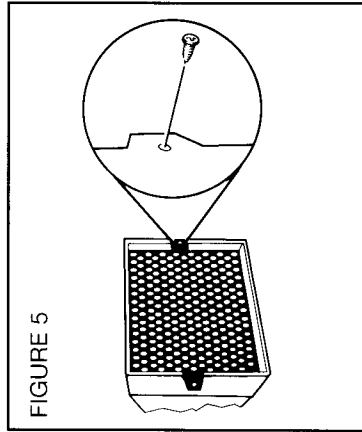
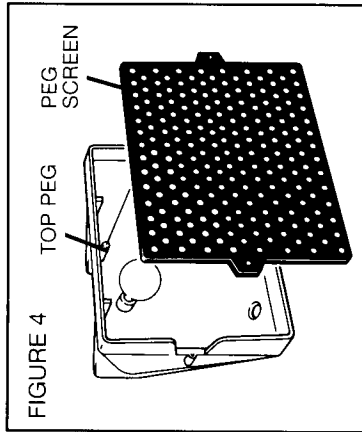
2. INSERT THE BULB. **WARNING: Shock hazard. Make sure your Lite-Brite console is NOT plugged in when you insert or change the light bulb. Never plug in the console until the peg screen is in place.**

The socket in your LITE-BRITE console accepts only a small, candleabra base bulb. The console will not accept a standard base bulb. Round or flame shape types used in vanity mirrors and electric candelabras are needed, as shown in Figure 2. Do not use a bulb larger than 25 watts. If a 25 watt bulb is not available, a 15 watt bulb is adequate.

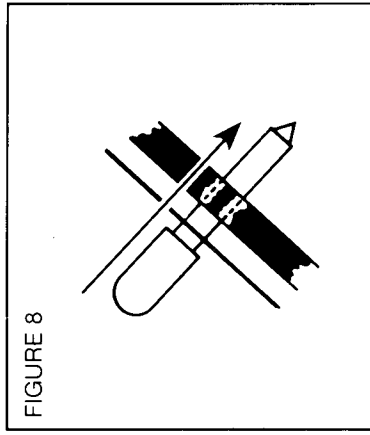
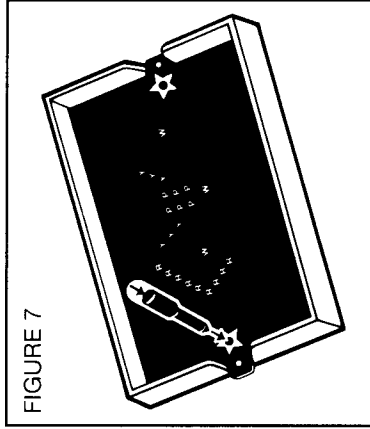
Insert recommended bulb into socket by turning it clockwise while holding the cord in place. See Figure 3.



3. Look for the word "UP" printed on the protrusions on one side of the black peg screen. Fit the black peg screen into the console, with the "UP" side facing you. Secure the peg screen by snapping it onto the top console peg. See Figure 4.
4. Line up the two side holes of the black peg screen with the two side holes of the console. Using a Phillips head screwdriver, screw one screw into each of the two side holes. See Figure 5.



4. Position the star on each side of the picture so that it is lined up directly above the peg screen hole next to the screw. Then push any peg through the hole in the star on each side, to secure the picture to the screen. See Figure 7. The peg must go through the paper and the peg screen, as shown in Figure 8.

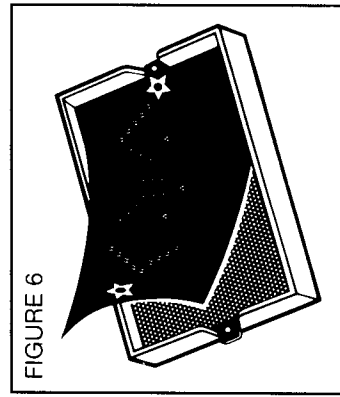


5. Insert the plug into a wall outlet (110-120 volts AC 50/60 HZ) and the bulb will light up.
6. Following the printed letters on the picture (see the chart below), insert the color pegs through the paper and into the peg screen as far as they will go. Watch the pegs light up!

TO CREATE A COLOR PICTURE WITH LIGHT

1. Select one of the precoded pictures.
2. HOW TO INSERT THE PICTURE. Each picture has a star on the right and left side. These stars are used to align the picture onto the console's screen so the design will be straight. The letters printed on the sheet will tell you what color peg to place in each space. (See Rule 6 for details.)

3. Place your chosen picture flat on top of the peg screen, with the title on the lower right. See Figure 6. The star on each side of the picture should be next to the screw in the peg screen.



Full-Color Pictures
Insert the Full-Color pictures the same way, using the stars as guides. The letters are printed on the back - they'll be visible once the bulb is lit.

LETTER ON PICTURE	COLOR	COLORED PEG TO USE
R	_____	RED
B	_____	BLUE
O	_____	ORANGE
W	_____	WHITE
G	_____	GREEN
Y	_____	YELLOW
P	_____	PINK
V	_____	VIOLET

AFTER PLAYING: Be sure to unplug your LITE-BRITE console when not in use. Store your pegs in the storage bag provided.

LOOK FOR LITE-BRITE PICTURE REFILLS with guide sheets to create your own designs.