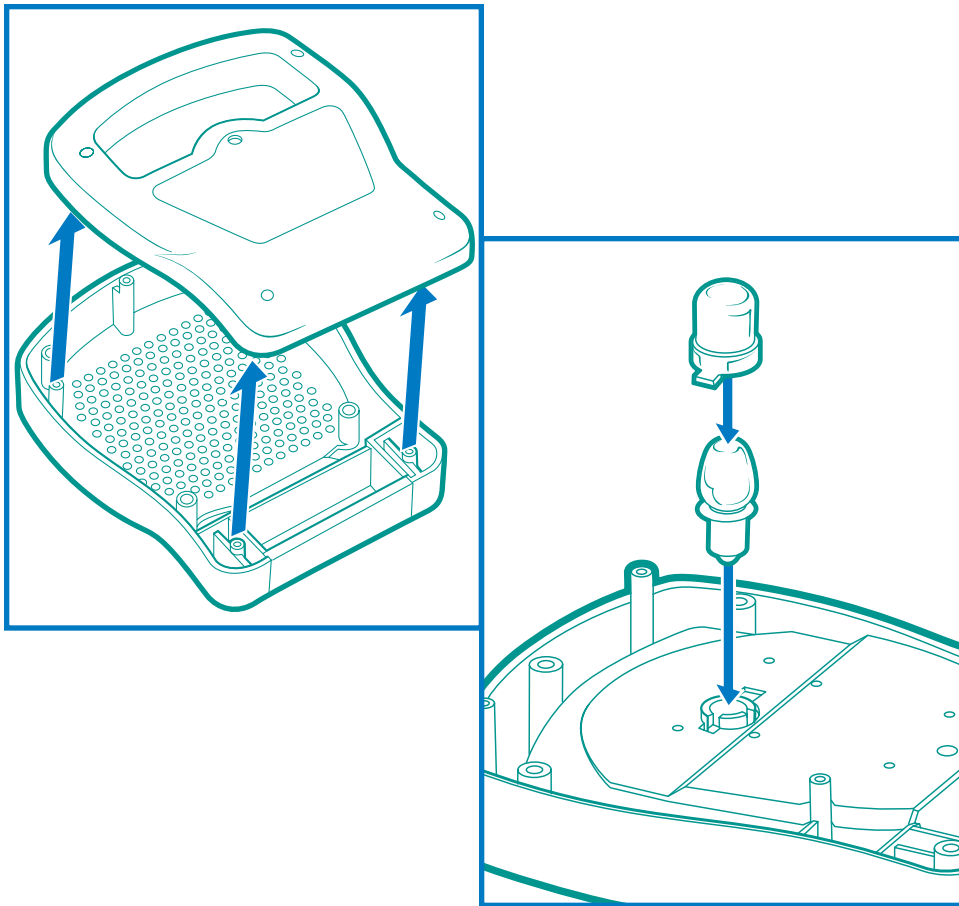


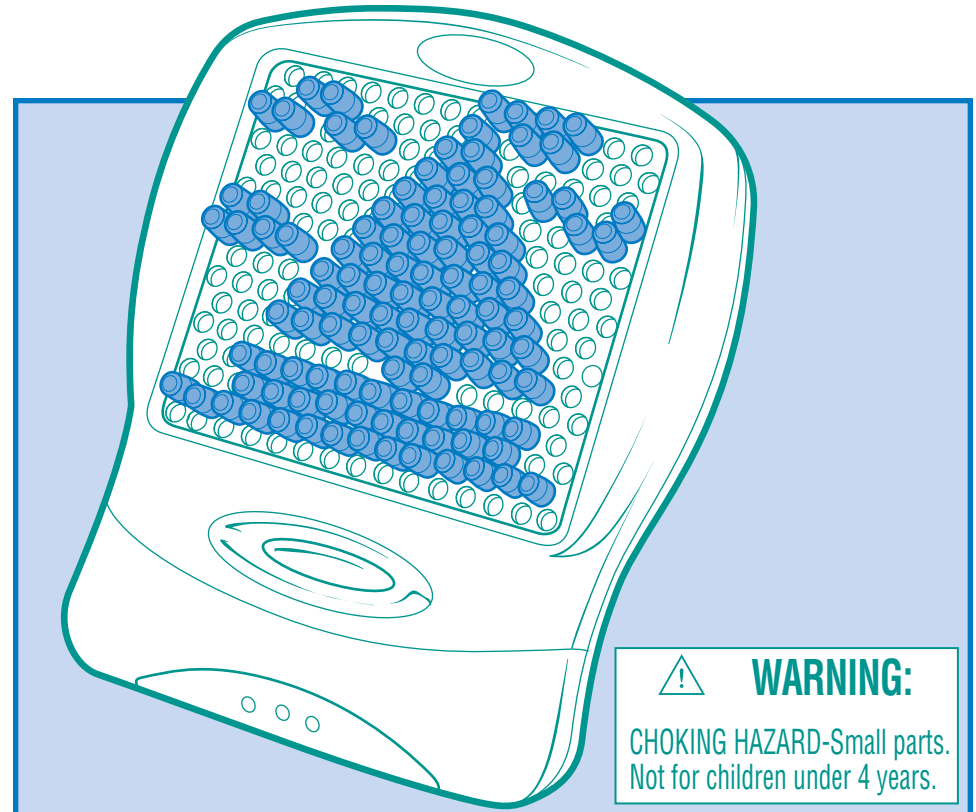
TO REPLACE THE LIGHT BULB

PR6 bulb required.

Use a Phillips screwdriver to loosen 4 screws in back panel. Remove back panel. Turn unit over, remove screw from bulb cover and remove cover. Pull out old light bulb and replace with a new PR6 bulb. Refasten bulb cover, tighten bulb cover screw, then tighten screws to secure back panel.



Thank you for purchasing this LITE-BRITE unit!
Requires 2 "C" alkaline batteries (not included). Phillips screwdriver
required (not included) for battery installation.

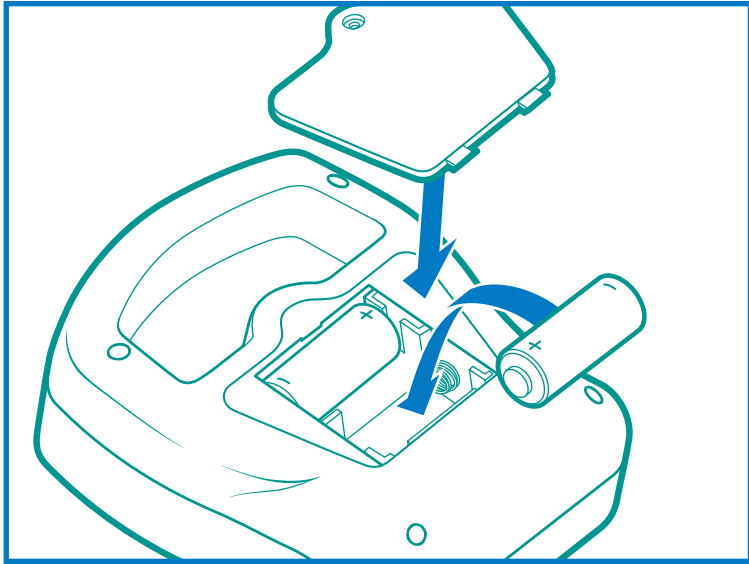


WARNING:

CHOKING HAZARD—Small parts.
Not for children under 4 years.

TO INSTALL BATTERIES

Using Phillips screwdriver, loosen screw in battery compartment cover (screw stays attached to cover). Remove cover. Insert 2 "C" alkaline batteries. Replace cover and tighten screw.



⚠ CAUTION: TO AVOID BATTERY LEAKAGE

1. Be sure to insert the batteries correctly and always follow the toy and battery manufacturers' instructions;
2. Do not mix old batteries and new batteries or alkaline, standard (carbon-zinc) or rechargeable (nickel-cadmium) batteries;
3. Always remove weak or dead batteries from the product.

TO PLAY

This portable, fun-filled toy comes with 120 pegs to make all kinds of designs that light-up. All it takes is your imagination!

- Insert the pegs into the holes to make colorful designs. Be creative!
- Press the button at the bottom of toy to light-up your designs. The light will stay on for approximately 3 minutes each time you press the button, then turn off to conserve battery life.

