

Lite Brite

AGES 4+

06879

ILLUMIN-ART™ Easel



Thank you for purchasing this LITE-BRITE brand toy!

This set includes LITE-BRITE ILLUMIN-ART Easel, two legs, removable peg/drawing screen, peg tray holder, 4 light bulbs, 6 markers, 500 pegs, 8 design picture sheets.

Requires 6 x 1.5V "D" or R20 size batteries (not included). Alkaline batteries recommended. Phillips/cross head screwdriver (not included) needed to insert batteries.

Picture Refill Sets
available on
www.LiteBrite.com

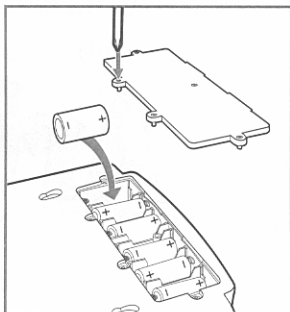


WARNING:

CHOKING HAZARD - Small parts.
Not for children under 4 years.

TO INSTALL BATTERIES

Using Phillips screwdriver, loosen screws in battery compartment cover (screws stay attached to cover). Remove cover. Insert 6 "D" alkaline batteries as indicated. Replace cover and tighten screws.



Energizer® Batteries Recommended

! CAUTION: TO AVOID BATTERY LEAKAGE

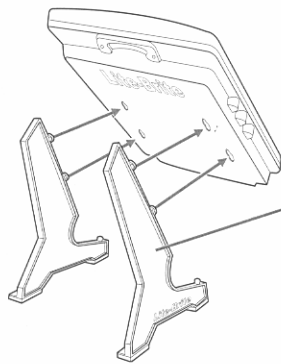
1. Be sure to insert the batteries correctly and always follow the toy and battery manufacturers' instructions;
2. Do not mix old batteries and new batteries or alkaline, standard (carbon-zinc) or rechargeable (nickel-cadmium) batteries;
3. Always remove weak or dead batteries from the product.

ASSEMBLY

There are three ways to position the easel for use:

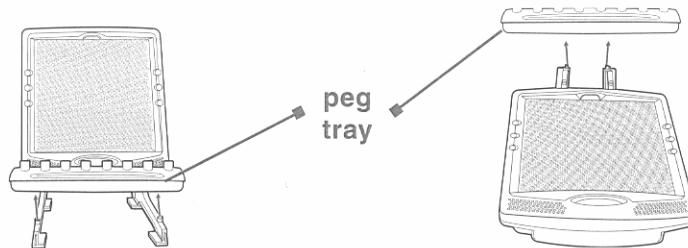
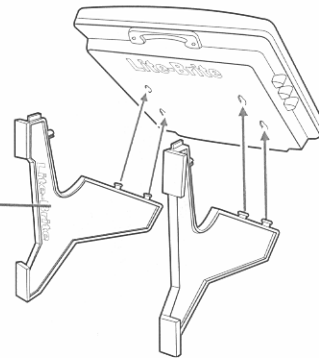
1. Display Position

Slide legs onto back of Easel with LITE-BRITE logos facing outwards. Slide peg tray holder onto legs as shown.



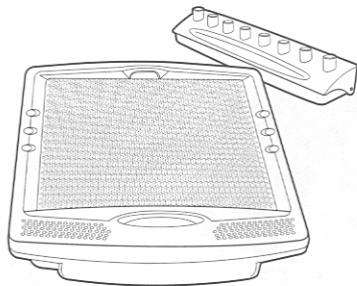
2. Desk Position

Snap legs onto back of Easel with LITE-BRITE logos facing inwards. Turn Easel upright onto feet. Snap peg tray holder onto tabs on legs as shown.



3. Table Position

Lay Easel flat on table with screen side facing up (no assembly required for this position).



NOTE: The peg tray holder has 8 storage sections to allow peg storage by color. You can also store markers in the peg tray, or on the front of the Easel.

TO PLAY

There are many activities to enjoy with the LITE-BRITE ILLUMIN-ART Easel! You can create classic peg creations, trace fun designs, draw pictures, color and so much more!

NOTE: Before using markers with design picture sheets, check the bottom left of the sheet to see whether or not it is labeled for marker use.



Creating Pictures

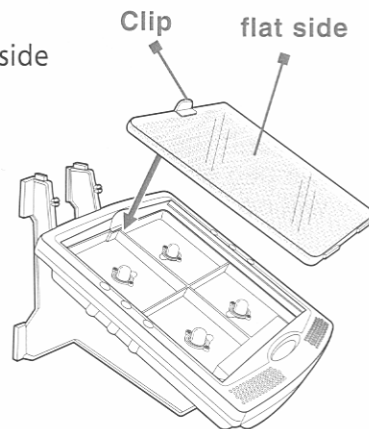
The LITE-BRITE ILLUMIN-ART Easel comes with over 500 pegs and 6 markers to make colorful, light-up creations!

For marker pictures:

Please note that there are two sides to the removable peg/drawing screen. The drawing side has a clip at the top of the screen to hold your pictures in place. Be sure this side is facing towards you before you begin your marker picture.

1. Place the removable peg/drawing screen (smooth side facing out) on the easel.
2. Place a marker picture sheet flat and straight on the screen. Use the clip to secure the picture, then draw, trace, color and have creative fun!

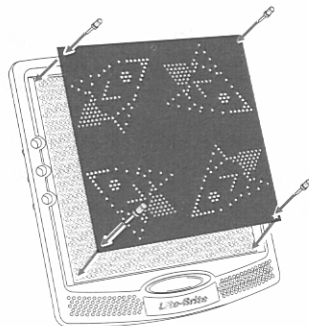
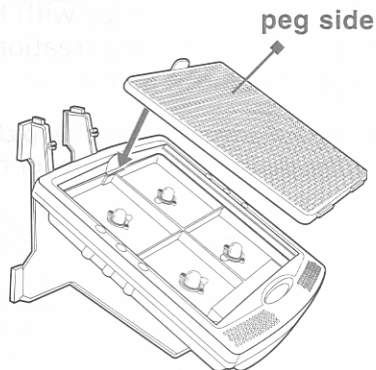
HINT: You may find that Table or Desk Position works best for creating marker pictures.



For peg pictures:

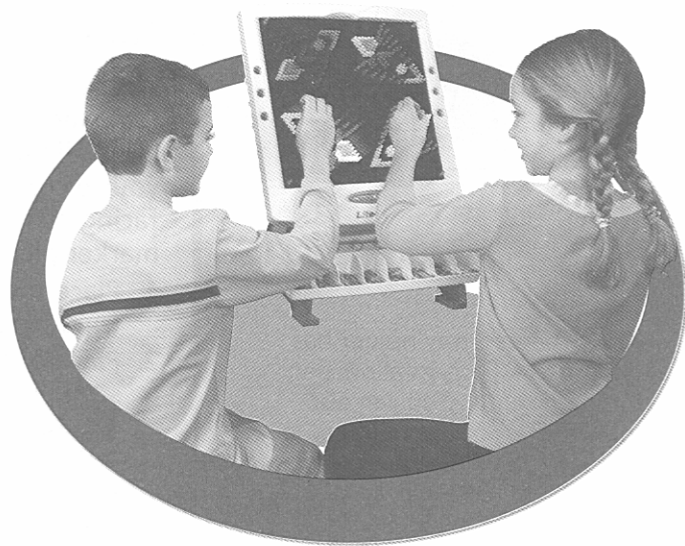
- 1 Be sure the peg side of the removable peg/drawing screen is facing you. Place a peg picture sheet flat and straight on the peg screen. Push a peg through the hole in each star to secure the picture to the screen.
- 2 When pegging a picture, follow the printed letters on the sheet to tell which color pegs to use (see chart).
- 3 Insert the colored pegs through the paper and into the peg screen as far as they will go.

HINT: You may find that Display Position works best for creating peg pictures.



USING IMAGE SHEETS

LETTER ON PICTURE	COLOR PEGS TO USE
R	RED
B	BLUE
O	ORANGE
W	WHITE
G	GREEN
Y	YELLOW
P	PINK
V	VIOLET

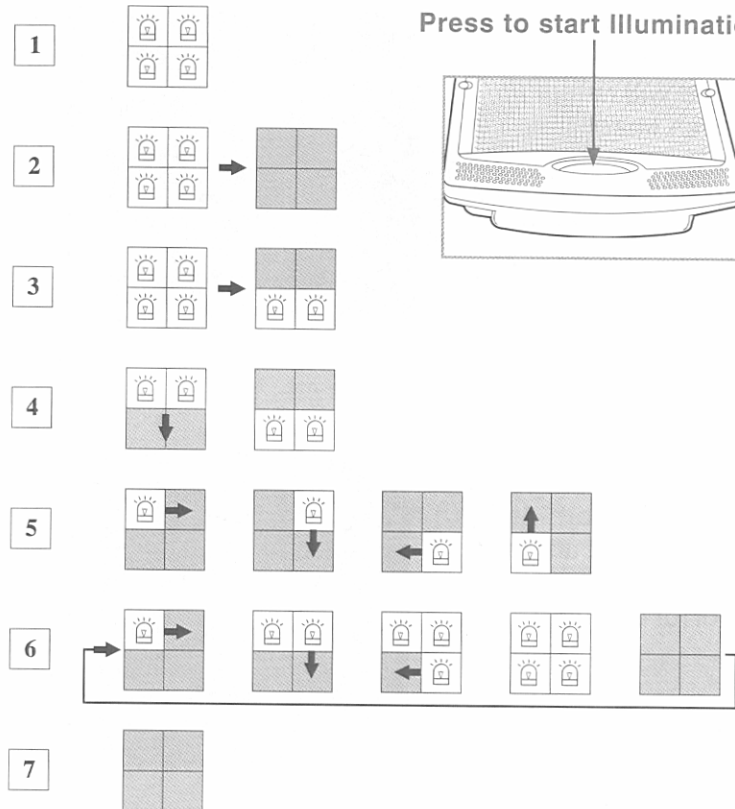


USING THE SIX DIFFERENT ANIMATION SETTINGS

Press the button to make your creations come to life! Each time the button is pressed a different animation sequence will illuminate your picture(s).

1. Press once to light the entire screen.
2. Press twice for full-screen blinking animation.
3. Press three times for top animation (bottom stays lit).
4. Press four times for top/bottom animation
5. Press five times for circular animation
6. The final animation option will illuminate each square individually until the easel is fully lit.
7. Off

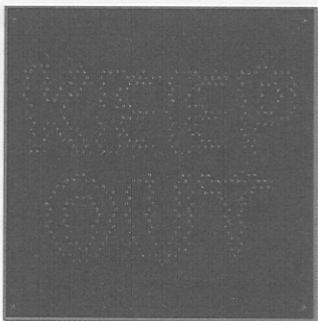
NOTE: Easel will shut off automatically after a few minutes to conserve battery life. To shut off manually, press the button until all lights shut off.



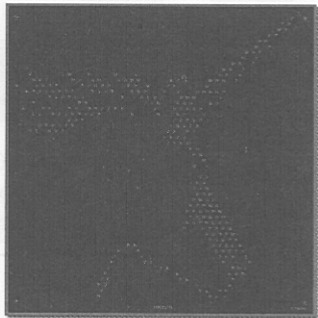
OTHER TYPES OF PEG IMAGE SHEETS

BACKLIT PEG IMAGES

– Some design picture sheets will reveal a hidden image when lit up. The “Keep Out” sign flashes a surprise image when using animation setting 2!



FOCUS IMAGES – The focus design sheets are best viewed from a distance. Peg the Unicorn design picture sheet and stand back to view your colorful creation!



ANIMATION IMAGES

Certain images will “come to life” when viewed in one of the six animation settings. The Spaceship will “fly in circles” when viewed in animation setting 5! The Whale will “spout” water when viewed in animation setting 3!



MARKER IMAGE SHEETS

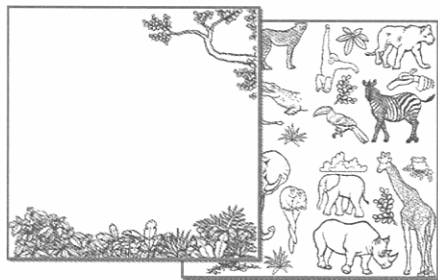
There are various types of marker image sheets:

COLORING SHEETS – Color the Underwater scene and light it up to display a cool picture!



TRACING – The ILLUMINART-EASEL makes tracing easy. Animation setting 1 will light the images from behind, allowing you to see through the drawing sheet.

To create a jungle scene, separate the Jungle Animal picture sheet into four sections (follow perforations). Position each animal in the spot of your choice and trace the animal shapes onto the Jungle Background picture sheet!



DRAWING/TRACING WITH HIDDEN IMAGES – These design picture sheets have hidden images that can only be viewed on the illuminated easel. The Haunted House design picture sheet will reveal scary surprises when viewed in animation setting 2!



TO ORDER AND REPLACE LIGHT BULB

Order light bulb by contacting HASBRO at 1-800-327-8264.
(Bulb is not available in stores.)

REPLACING BULBS:

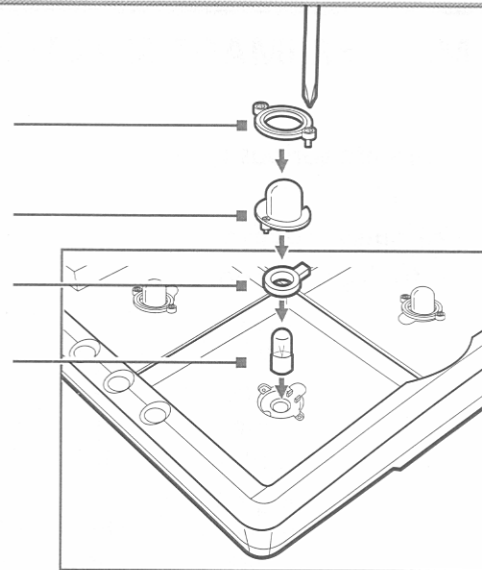
1. Remove the peg/drawing screen to expose 4 light bulbs.
2. Use a Phillips screwdriver to remove 2 screws from the collar. Remove the collar.
3. Use a Phillips screwdriver to remove 1 screw from the cover. Remove the cover.
4. Remove gasket.
5. Push gently and twist counterclockwise to remove bulb.
6. Replace with a new bulb.
7. Refasten gasket, cover, collar and put the peg/drawing inset (screen) back into place.

Collar

Cover

Gasket

Bulb



FCC STATEMENT

This equipment has been tested and found to comply with the limits for a Class B digital device, pursuant to part 15 of the FCC Rules. These limits are designed to provide reasonable protection against harmful interference in a residential installation. This equipment generates, uses and can radiate radio frequency energy, and, if not installed and used in accordance with the instructions, may cause harmful interference to radio communications. However, there is no guarantee that interference will not occur in a particular installation. If this equipment does cause harmful interference to radio or television reception, which can be determined by turning the equipment off and on, the user is encouraged to try to correct the interference by one or more of the following measures:

- Reorient or relocate the receiving antenna.
- Increase the separation between the equipment and the receiver.
- Consult the dealer or an experienced radio/TV technician for help.

Stain Advisement: Note that markers may stain some surfaces. Adult supervision is recommended. Wash with soap and warm water.

NONTOXIC. CONFORMS TO ASTM D-4236

© 2004 Hasbro. All Rights Reserved.
© denotes Reg. U.S. Pat. & TM Office.
06879 P/N 6361340000



Questions? Call: 1-800-327-8264