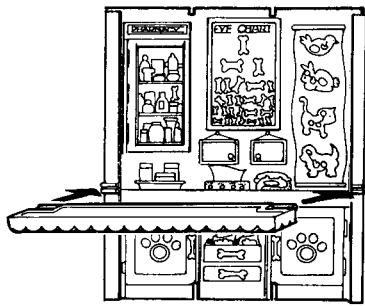
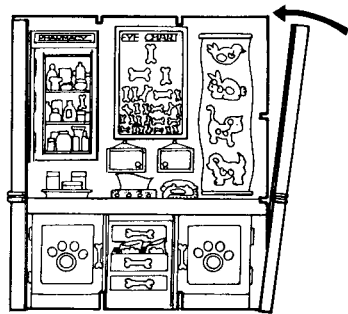




CARE CENTER



2. Snap shelf into slots in braces.

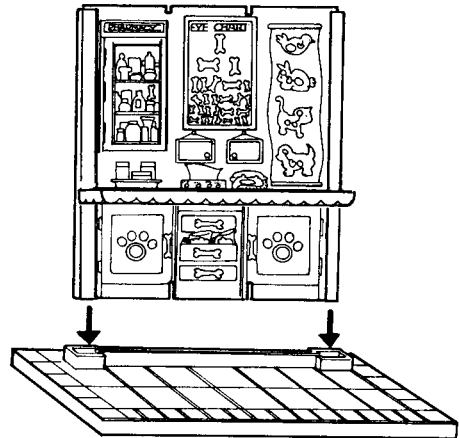


Assembly

1. Slide wall braces onto wall section.

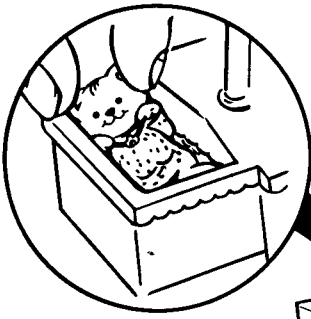


4. Place the awning onto the assembled wall section.

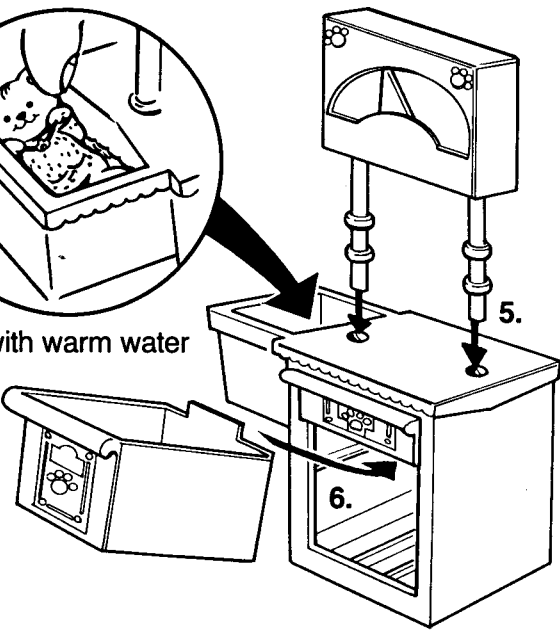


3. Insert wall and braces into base.





Fill the bath with warm water to bathe kitty and remove her fleas.



5. Insert pegs into holes in examination table.
(Note: scale or Happy Meter may face either direction.)

6. Drawer fits into cabinet.

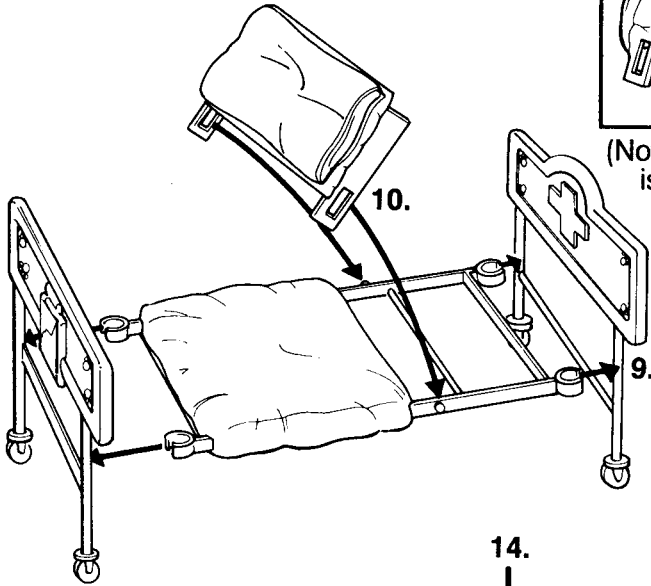


7. Rotate kitten to activate Happy Meter or scale.

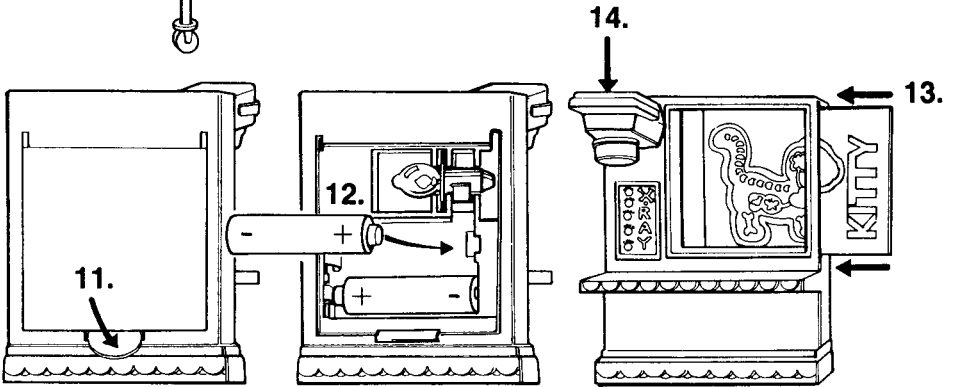


8. Rotate puppy to activate Happy Meter or scale.

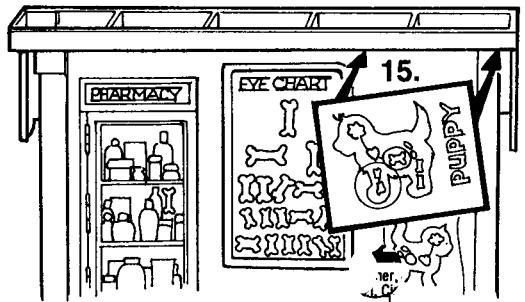
9. Snap headboard and footboard into bed frame.
10. Slots in pillow section fit over pegs.



(Note: pillow height is adjustable.)

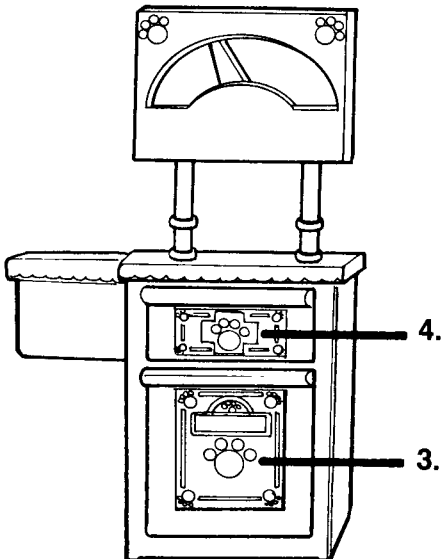
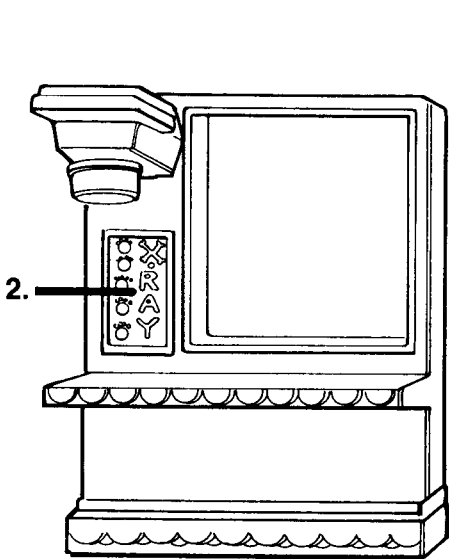
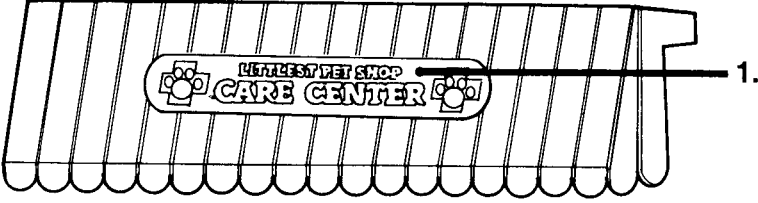


11. Use coin to remove battery cover.
12. Insert two "AA" alkaline batteries as shown—then replace cover. To replace bulb use PR 2 bulb.
13. Insert film into slot for viewing.
14. Press down on "X-ray" arm to turn on light.
15. "X-ray" films fit into slot in frame.



Labels

16. Apply labels to assembled pieces using numbers on label sheet and these illustrations as a guide.



Labels 5, 6, 7, 8 and 9 are bandages to be placed anywhere on the animals.

Cast can be placed on dog's broken arm.