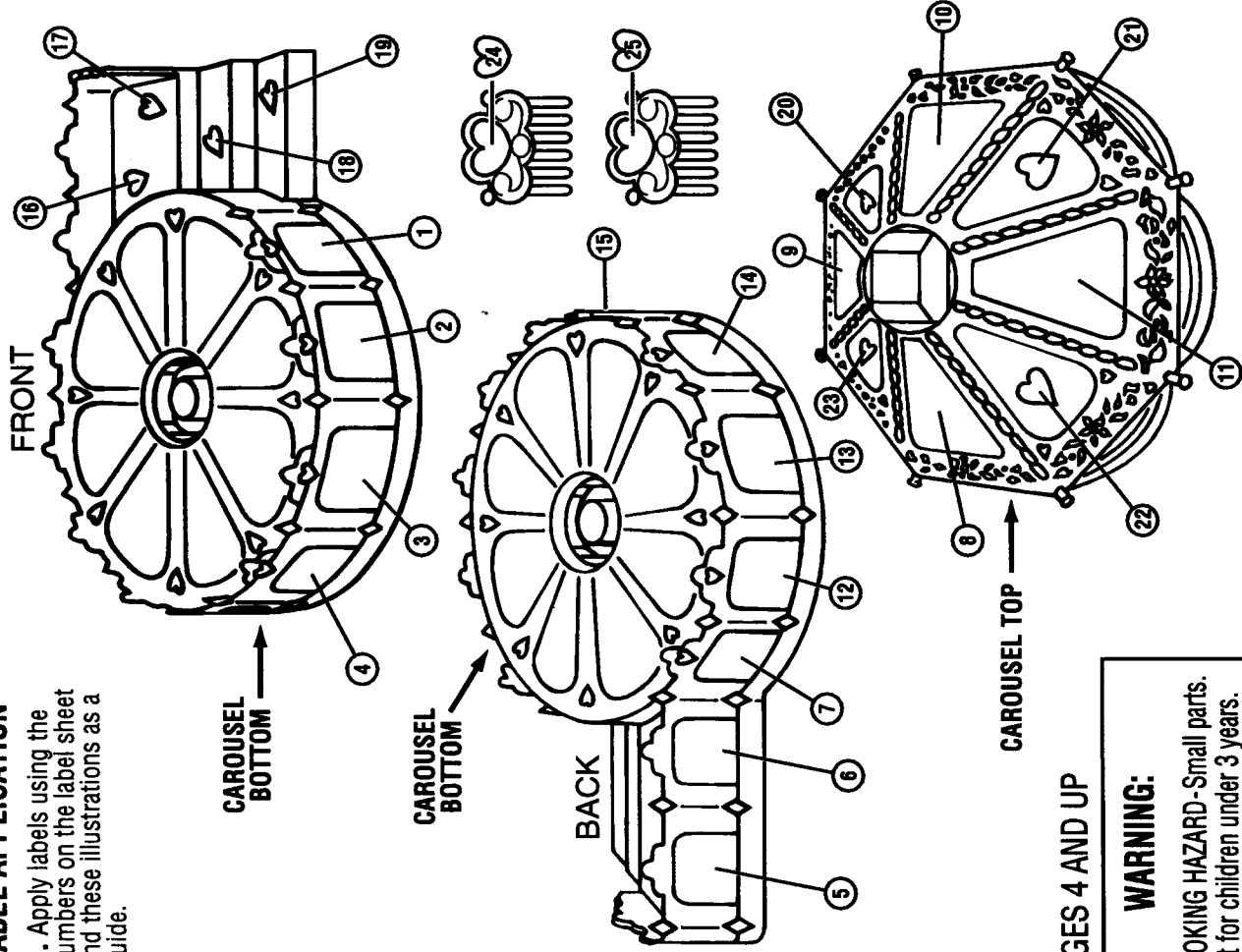


Dazzling Hairies™

FANCY CURLS CAROUSEL™ PLAYSET

LABEL APPLICATION

1. Apply labels using the numbers on the label sheet and these illustrations as a guide.



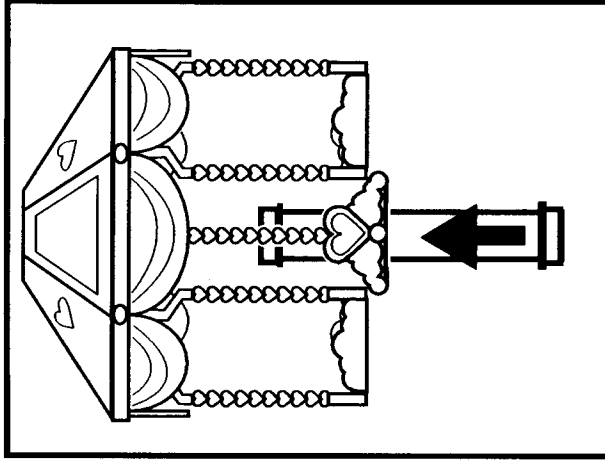
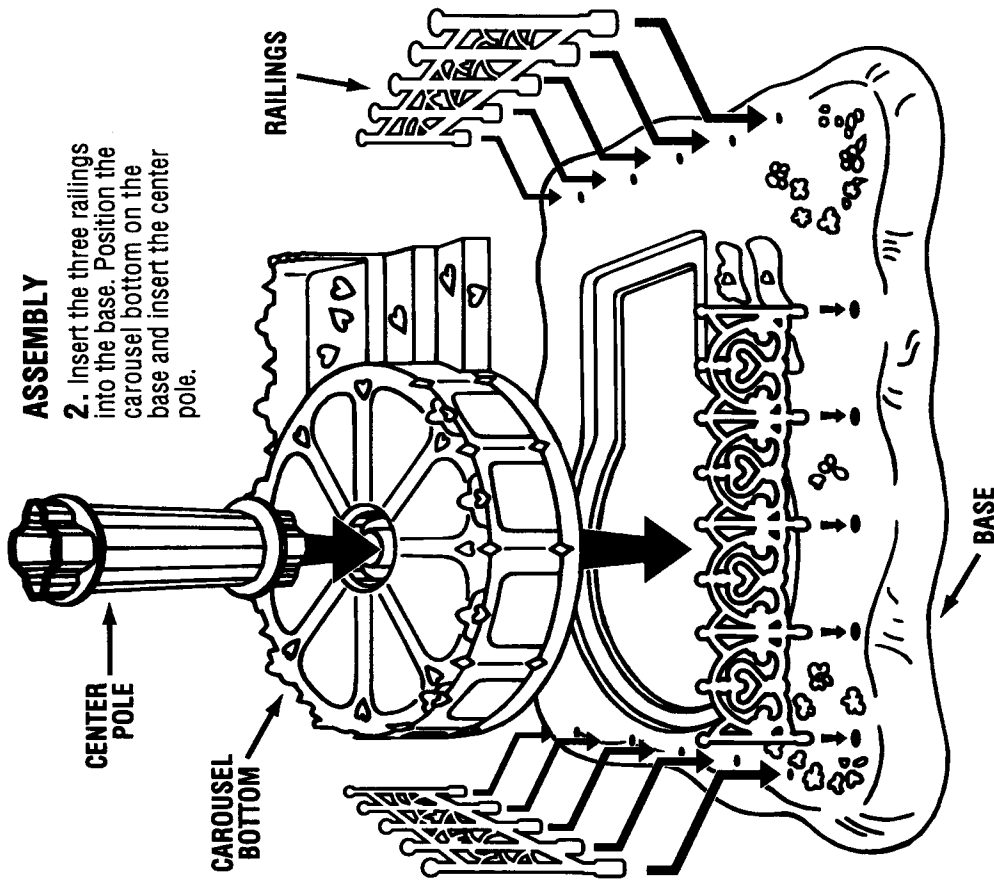
AGES 4 AND UP

⚠ **WARNING:**

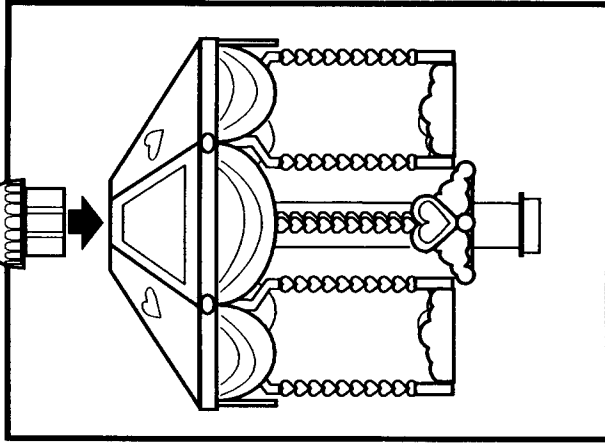
CHOKING HAZARD - Small parts.
Not for children under 3 years.

ASSEMBLY

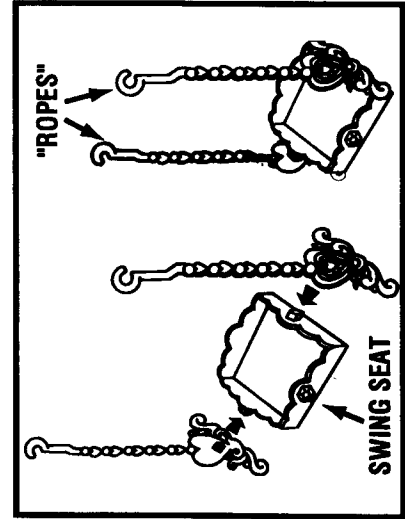
2. Insert the three railings into the base. Position the carousel bottom on the base and insert the center pole.



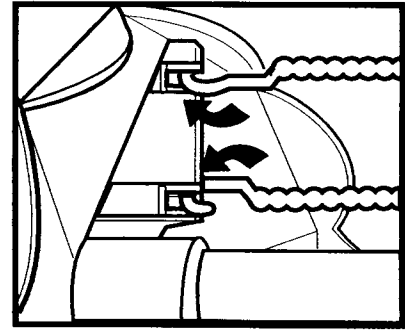
5. Place the carousel top with the swings attached onto the center pole.



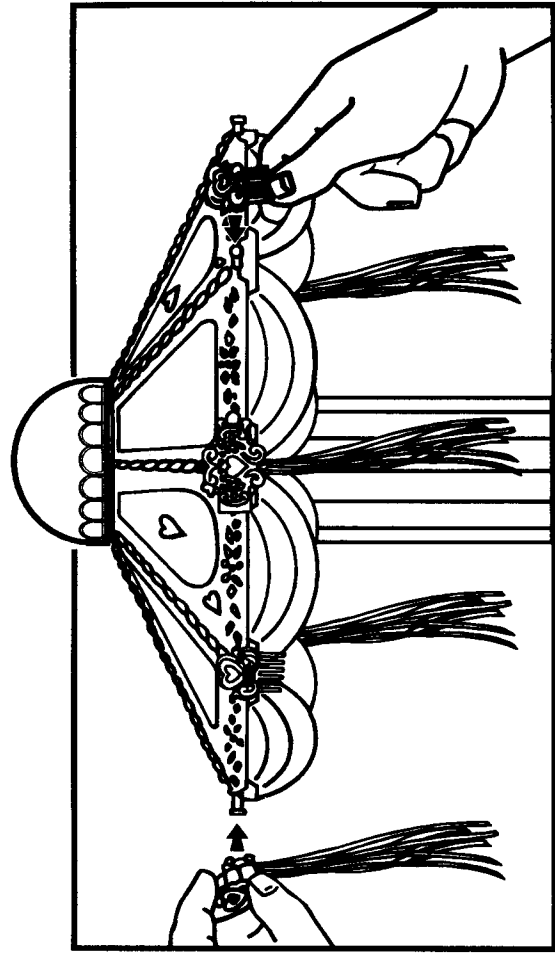
6. Place the cap on the center pole holding the carousel top in place.



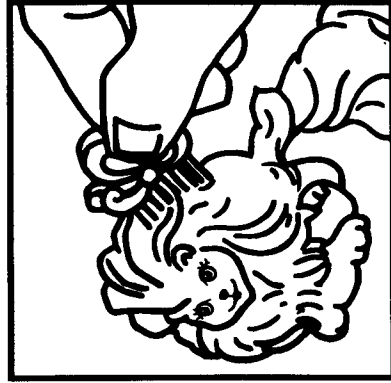
3. Assemble the four swings. All the seats and "ropes" are the same. Snap two "ropes" on the pegs on the sides of each swing.



4. Find the carousel top and attach each swing to it. The "rope"s ends go into the holes on the underside of the carousel top as shown.



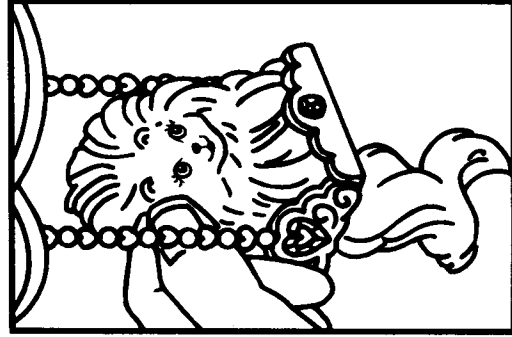
7. The barrettes and combs fit on the pegs around the edge of the carousel top.



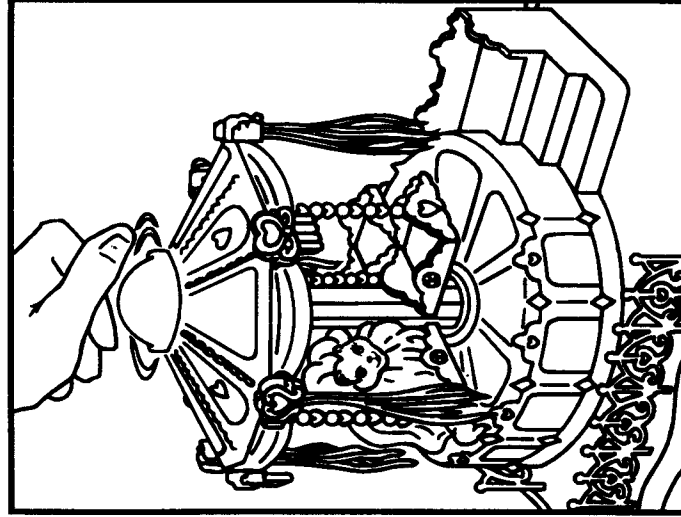
8. When not attached to the carousel top, the comb can be used to comb your pet's hair.



9. The barrettes can also be used to help create a hair style for your pets.



10. Have some fun with your pet on the carousel. Once the pet is seated in a swing, you can swing it or turn the cap for a carousel ride.



Kemper®

© 1985 TONIKA CORPORATION, a subsidiary
of Hashro, Inc., Pawtucket, Rhode Island 02862
All Rights Reserved
MADE IN CHINA