

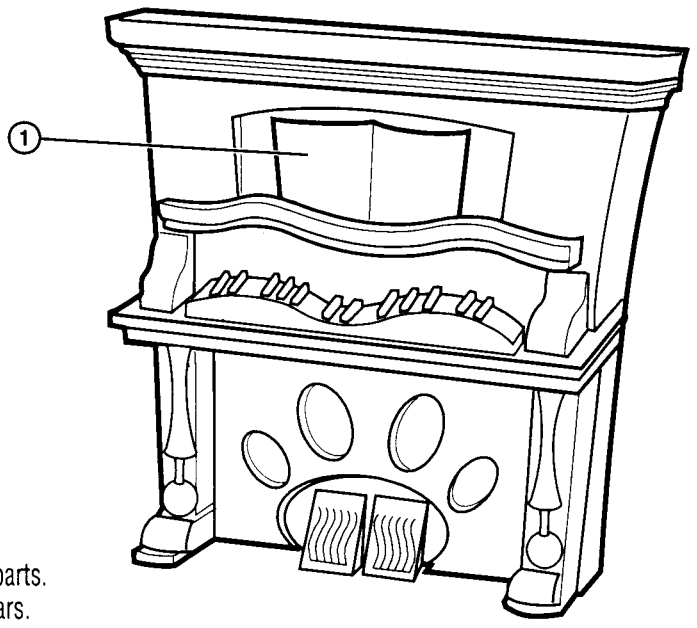
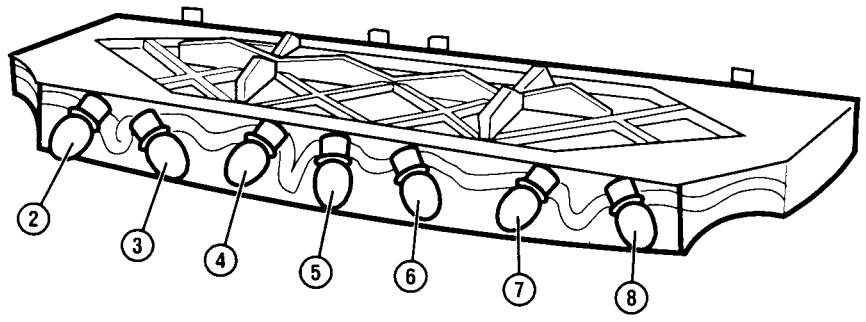


JAMMIN' WITH VIV™

PLAYSET

LABEL APPLICATION

1. Apply labels using the numbers on the label sheet and these illustrations as a guide.



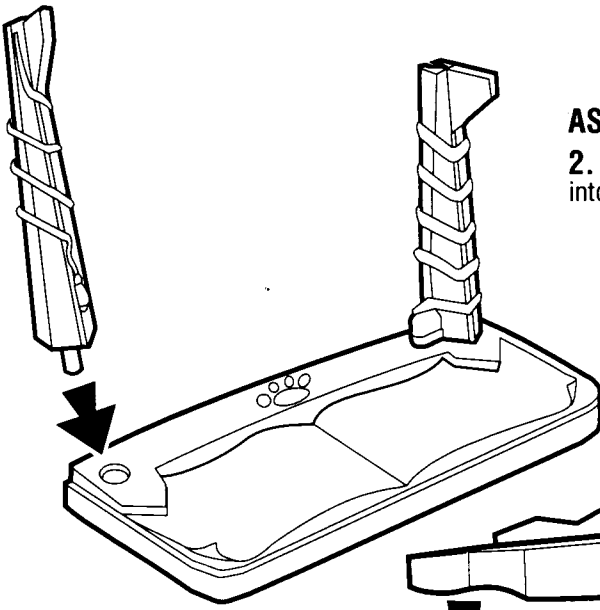
AGES 4 AND UP

WARNING:

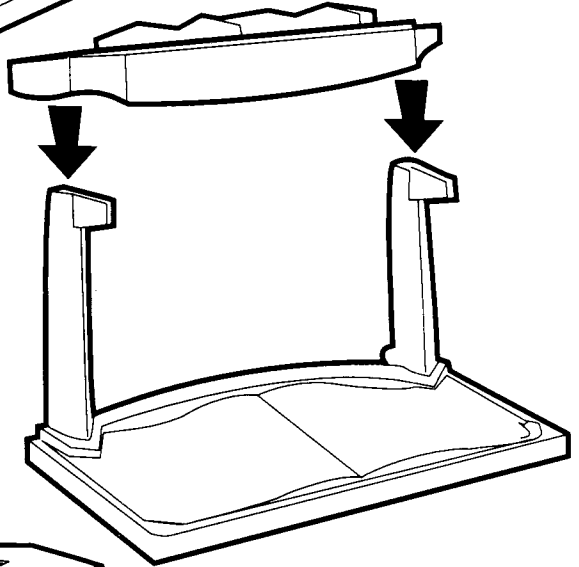
CHOKING HAZARD - Small parts.
Not for children under 3 years.

ASSEMBLY

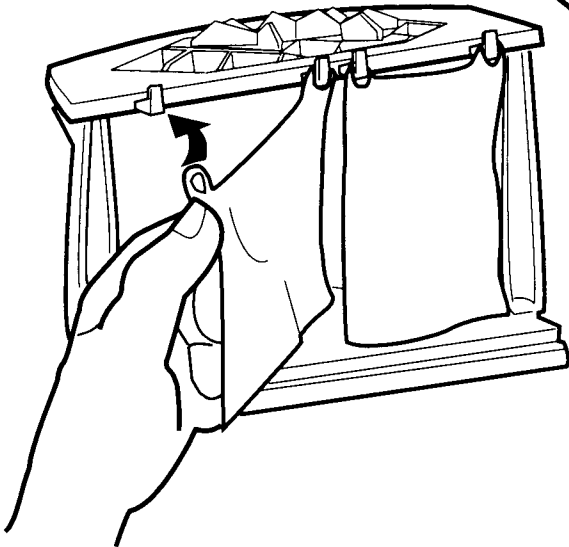
2. Snap the stage columns into the stage base.

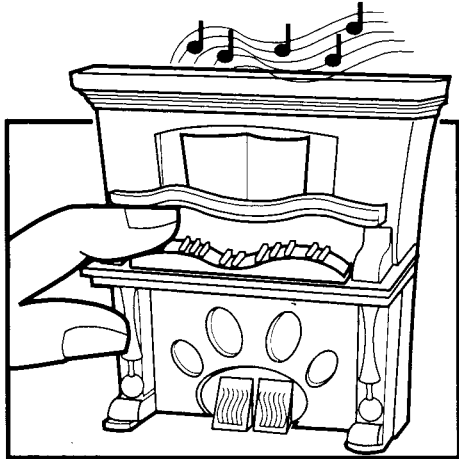


3. Now place the top of the stage onto the columns.



4. Hang the stage curtains onto the hooks on the back side of the stage top.



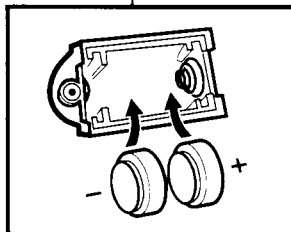
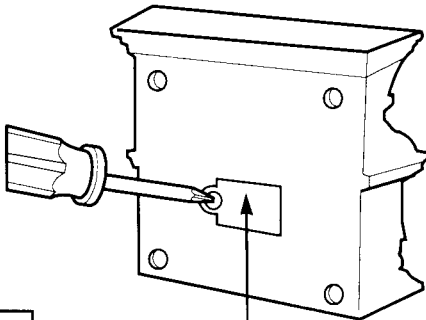


5. To hear the LITTLEST PET SHOP TV show theme, simply press on the piano keyboard.

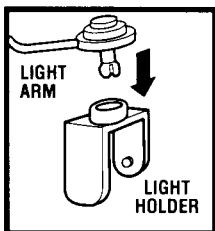
CAUTION:

1. As with all small batteries, the batteries included with this toy should be kept away from small children who still put things in their mouths. If they are swallowed, promptly see a doctor and have the doctor phone **(202) 625-3333** collect.
2. Make sure the batteries are inserted correctly and follow the toy and battery manufacturer's instructions.
3. Do not mix old and new batteries.
4. Do not mix alkaline, standard (carbon-zinc), or rechargeable (nickel-cadmium) batteries.

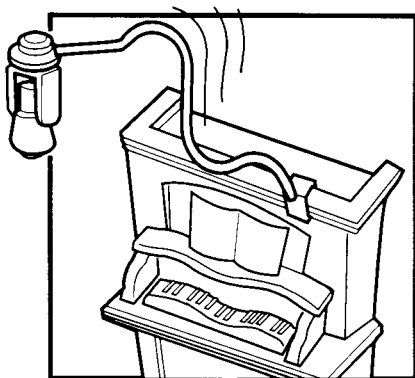
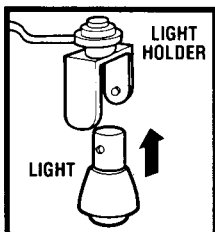
6. If you need to replace the batteries, have an adult remove the screw and the battery compartment door on the back of the piano.



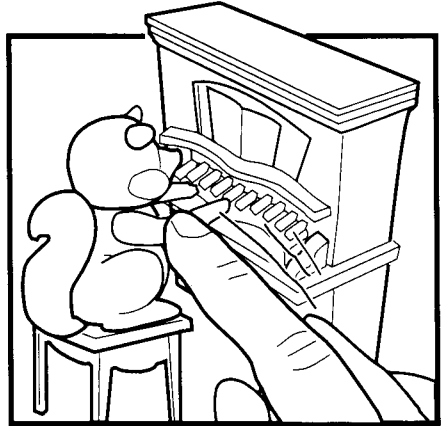
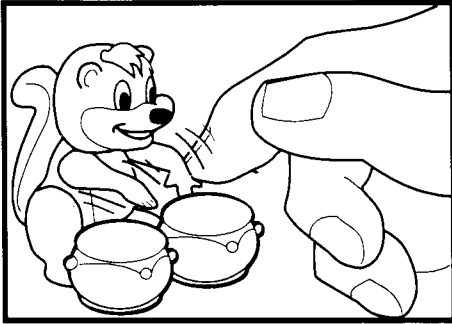
Install two A76 button-cell batteries as shown. Replace the battery compartment door and screw it shut.



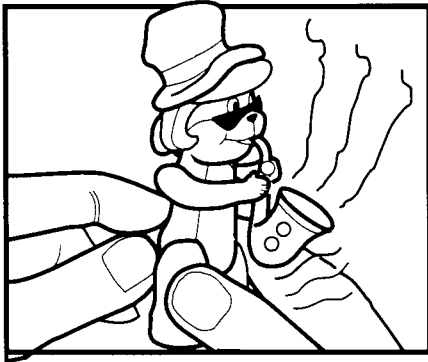
7. Insert the end of the "light arm" into the "light holder" as shown. Then insert the "light" into the "light holder".



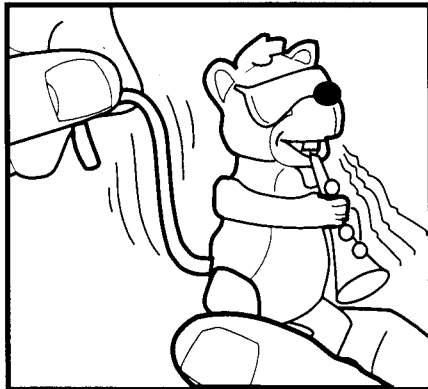
8. The light assembly hooks over the top of the piano as shown.



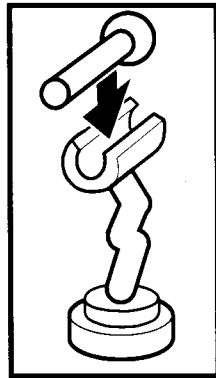
9. Have you ever seen a squirrel play the drums or a piano? Move his arms up and down on the drums so he can really get the beat or press his hands against the piano keyboard and hear the LITTLEST PET SHOP TV show theme song.



10. Put the sax in Viv's hands, hold her feet down, pull her tail back, and let go. She will bob back and forth like she is really waiting on her sax.



11. After you put the clarinet in Satch's hands, help him lift it to his mouth as if to play a tune by pressing down on his tail.



12. Place the "microphone" into the holder so it can be placed by any of the performers.

Kenner[®]

© 1995 TONKA CORPORATION, a subsidiary of Hasbro, Inc., Pawtucket, Rhode Island 02862. All Rights Reserved. MADE IN CHINA