



Zoo Playset

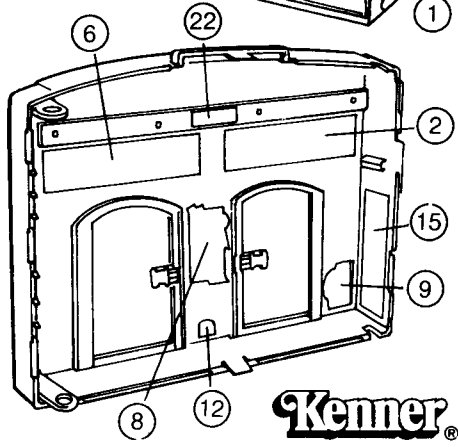
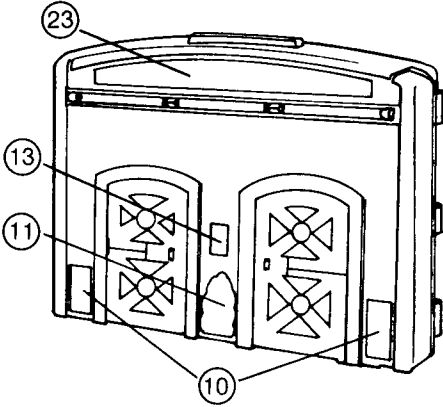
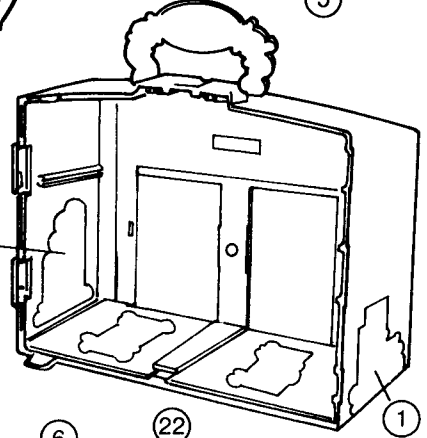
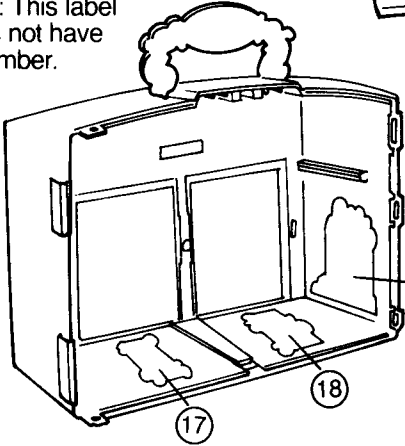
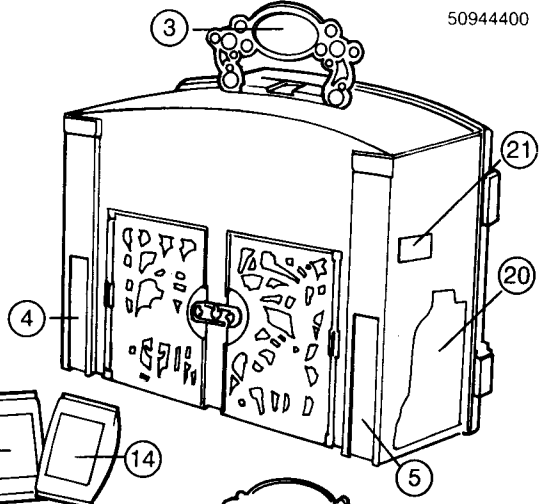
50944400

LABEL APPLICATION

1. Apply labels to unassembled pieces using numbers on label sheet and these illustrations as a guide.



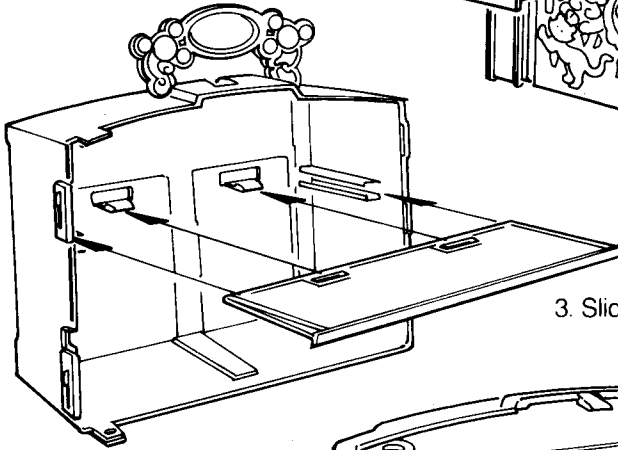
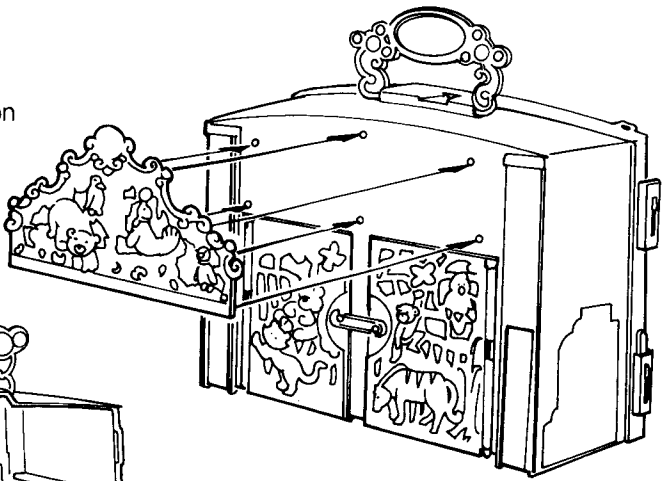
Note: This label does not have a number.



© 1994 KEMNER, A DIVISION OF
TONKA CORPORATION
CINCINNATI, OHIO 45202

FRONT OF CASE ASSEMBLY

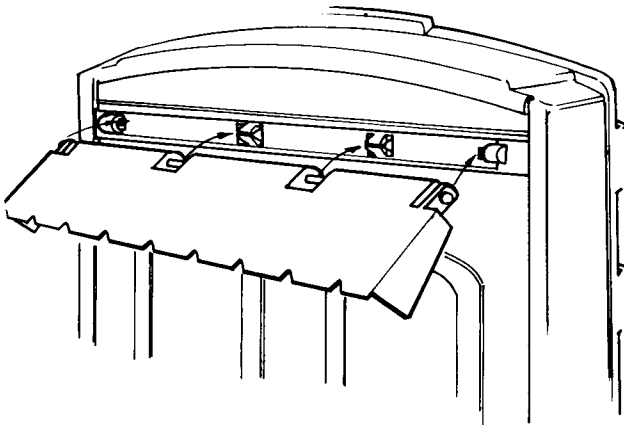
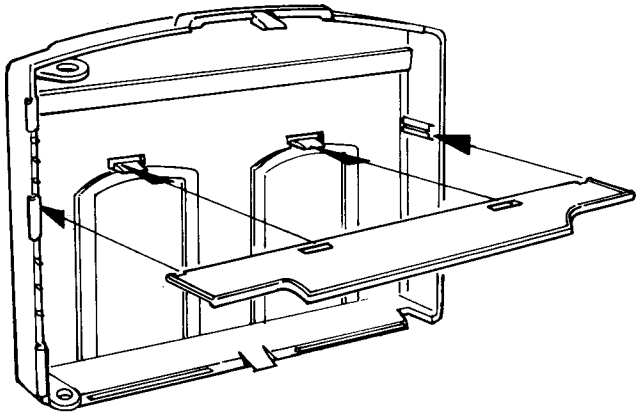
2. Snap front decoration into place.



3. Slide interior shelf into place.

BACK OF CASE ASSEMBLY

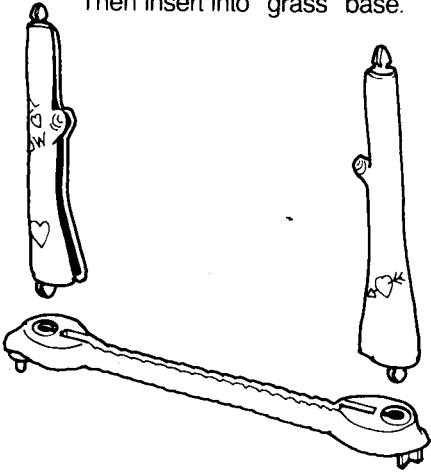
4. Slide interior shelf into place.



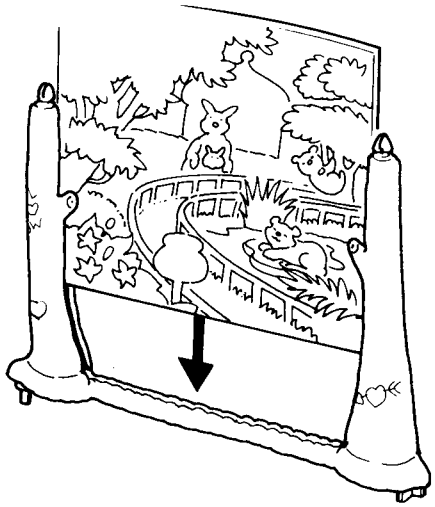
5. Snap awning into outside.

WALL ASSEMBLY

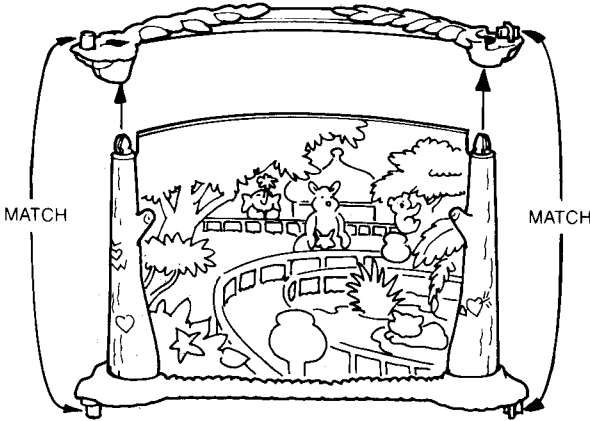
6. Snap trees together.
Then insert into "grass" base.



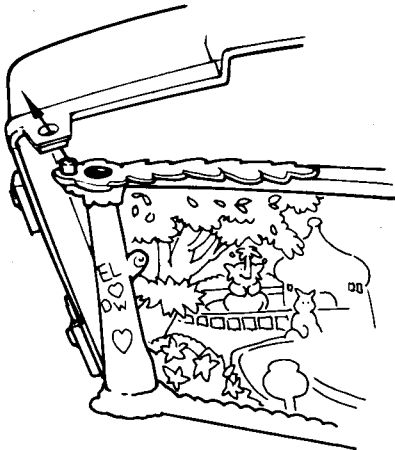
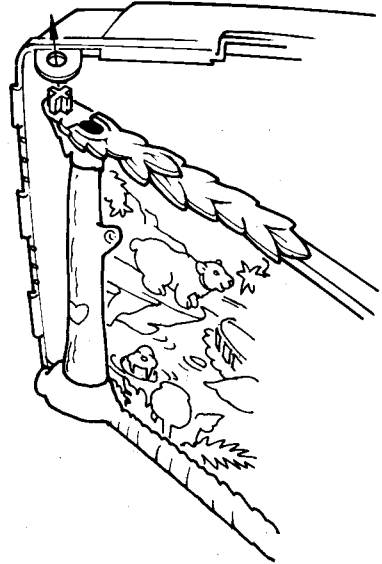
7. Insert scenery into tree braces
and down into "grass" base to
create wall.



8. Place the "tree" top onto the
assembled wall section. Be sure to
match the top and bottom as shown.

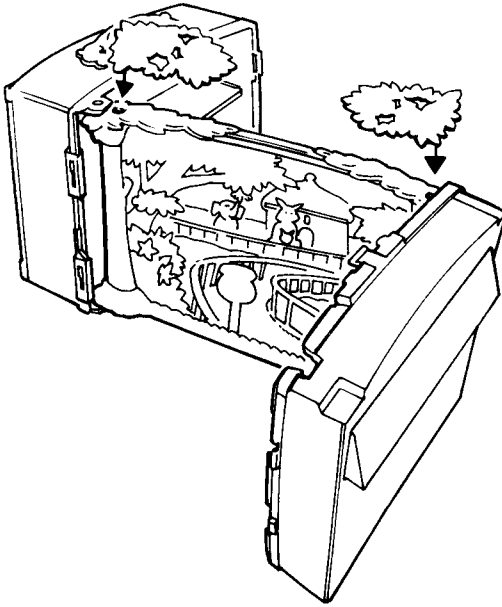


9. Position recessed pegs of wall
into back of case.

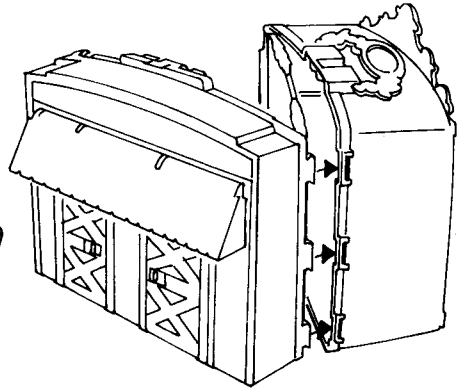


10. Position remaining side of wall
into front of case.

11. Place the tree tops onto the assembled wall section. (Case will not close with tree tops assembled).

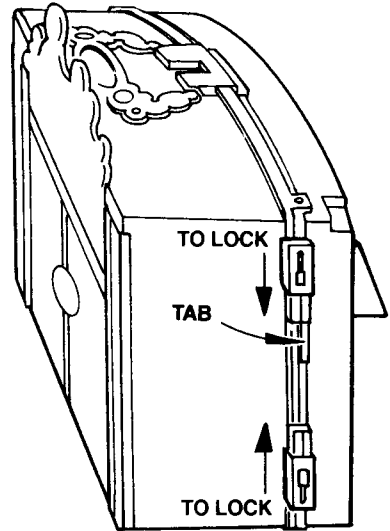


12. Slide tabs of hinged end of back into slots on front to close case.

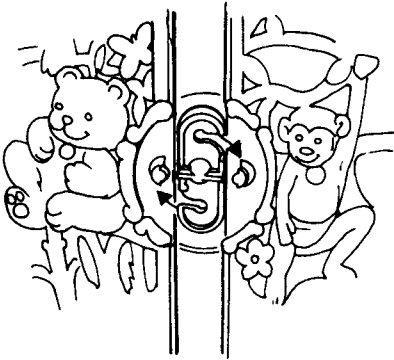


LOCKS

13. Slide latches towards each other to lock Zoo Center Case. Slide latches away from each other to unlock Zoo Center Case. Push on tab to open case.



14. Turn latch to unlock or lock front doors.



15. Slide latch to the side to unlock or to lock back doors.

