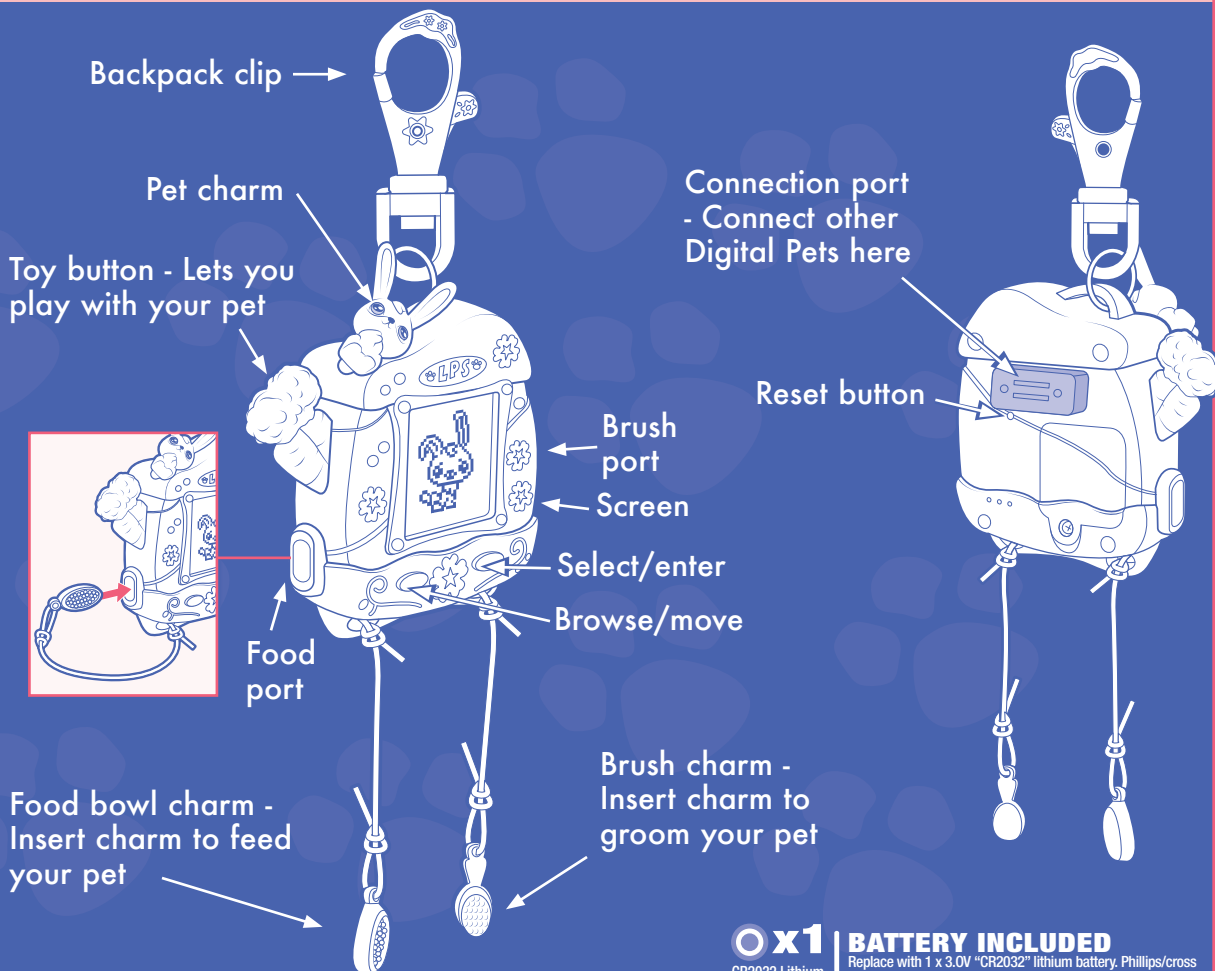


DIGITAL PET

Thank you for purchasing this LITTLEST PET SHOP™ toy!

For maximum play value, please read and follow instructions carefully.



X1
CR2032 Lithium

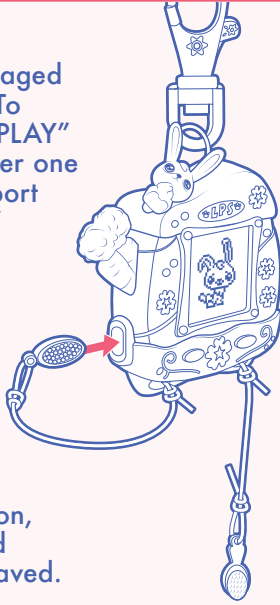
BATTERY INCLUDED

Replace with 1 x 3.0V "CR2032" lithium battery. Phillips/cross head screwdriver (not included) needed to replace battery.

PLAY MODE

Your toy comes packaged in "TRY ME" mode. To switch it to regular "PLAY" mode, just touch either one of the charms to its port during the "TRY ME" animation.

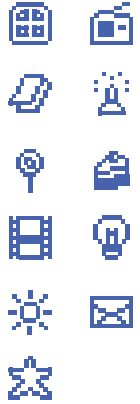
After 2 minutes of non-activation, the toy will shut off. To turn back on, just touch one of the buttons on the front of the toy. All your game information, including stickers and stamps, will still be saved.



COLLECTING STICKERS

Whenever you and your pet complete an activity, music will play and a sticker will appear that goes into your pet's special diary. The diary is in your pet's home.

Each kind of activity gets a special sticker. In the diary, each sticker appears with two numbers. The first number shows how many are available to collect. The second number shows how many your pet has so far.



Example:

2	★	1	2	★	1
	number of these stickers available		sticker		number that you have collected so far

AT HOME

When you start to play, your pet will be in its own special home. Press the left button to move from one activity to the next. Press the right button to choose an activity, or press the left button to keep on moving. After you've scrolled through all the options, you'll come back to your pet.

There are loads of places to go with your pet, and lots of things to do!

See a map of your pet's location by selecting this icon.



For tips on playing all the different activities, go to

Littlestpetshop.com

Stadium Street



Pet Arena Street



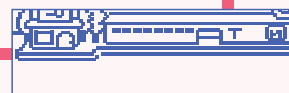
University



Pet Town L

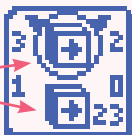


Pet Town C



AWARD STICKERS

When you practice a game, you get a “**practice sticker**”; when you play the game and finish it, you get an “**award sticker**,” which looks like the sticker symbol in a special circle.



Open your pet's diary by selecting this icon!



TAKE CARE OF YOUR PET WITH THE CHARMS AND TOY!

COLLECTING STAMPS

Your pet can collect special stamps in its diary, too! When you touch your toy to another LITTLEST PET SHOP™ Digital Pet toy, the pets will appear on both screens and do a little dance together! Then a stamp from the “visiting” pet will appear in your pet's diary. (Note: only one stamp per “visiting” pet!)

NOTE: To reset sticker and stamp info, press the RESET button (you will need to use a pen or paperclip) while holding down both left and right buttons on front of toy. The toy will go back to “TRY ME” mode after the sticker and stamp information has been reset. Follow instructions to switch back to “PLAY” mode.

TIPS!

TAKING CARE OF YOUR PET

Your pet will always let you know what to do to keep it healthy and happy.

If your pet doesn't respond when you choose an activity, it's lonely and wants some attention. Groom your pet with the brush charm, then press the toy button to play together – your pet will perk right up!

If your pet starts to move slowly, it's hungry! Use the food bowl charm to feed it. When it's full, it'll shake its head when you try to give it more food.

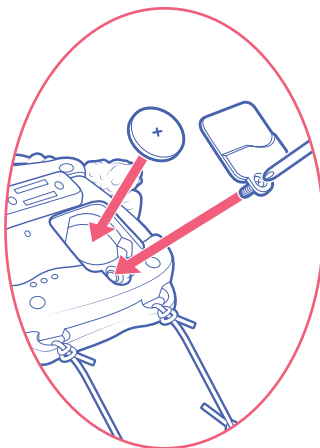
If your pet disappears from the screen... use either button to search for your pet. After a few clicks, you'll find it at home... using the facilities! Click either button to “clean up” after it, and your pet is ready to play again!

TROUBLESHOOTING

If the screen freezes, press the RESET button (you will need to use a pen or paperclip). All your pet's stickers and stamps will be saved. (To reset sticker and stamp info, press RESET button while holding down both left and right buttons on front of toy.)

TO REPLACE BATTERY

Use a Phillips/cross head screwdriver (not included) to loosen screw in battery compartment door (screw remains attached to door). Remove door and remove old battery. Insert 1 x 3.0V fresh "CR2032" lithium battery. Replace door and tighten screw.



! CAUTION: TO AVOID BATTERY LEAKAGE

1. As with all small batteries, the battery used with this toy should be kept away from small children who still put things in their mouths. If it is swallowed, promptly see a doctor and have the doctor phone (202) 625-3333 collect. In other countries, have the doctor call your local poison control center.
2. Make sure the battery is inserted correctly and always follow the toy and battery manufacturer's instructions.

IMPORTANT: BATTERY INFORMATION

Please retain this information for future reference.

Batteries should be replaced by an adult.

! CAUTION:

1. Always follow the instructions carefully. Use only battery specified and be sure to insert it correctly by matching the + and - polarity markings.
2. Remove exhausted or dead battery from the product.
3. Remove battery if product is not to be played with for a long time.
4. Do not short-circuit the supply terminals.
5. Should this product cause, or be affected by, local electrical interference, move it away from other electrical equipment. Reset (removing and re-inserting battery or pressing the reset button) if necessary.
6. RECHARGEABLE BATTERY: Always remove from the product before recharging. Recharge battery under adult supervision. DO NOT RECHARGE OTHER TYPES OF BATTERIES.
7. As with all small items, this battery should be kept away from children. If swallowed, seek medical attention immediately.

FCC STATEMENT

This device complies with part 15 of the FCC Rules. Operation is subject to the following two conditions: (1) This device may not cause harmful interference, and (2) this device must accept any interference received, including interference that may cause undesired operation. This equipment has been tested and found to comply with the limits for a Class B digital device, pursuant to part 15 of the FCC Rules. These limits are designed to provide reasonable protection against harmful interference in a residential installation. This equipment generates, uses and can radiate radio frequency energy, and, if not installed and used in accordance with the instructions, may cause harmful interference to radio communications. However, there is no guarantee that interference will not occur in a particular installation. If this equipment does cause harmful interference to radio or television reception, which can be determined by turning the equipment off and on, the user is encouraged to try to correct the interference by one or more of the following measures:

- Reorient or relocate the receiving antenna.
- Increase the separation between the equipment and receiver.
- Consult the dealer or an experienced radio/TV technician for help.



Not suitable for children under 3 years because of small parts — choking hazard.

Visit



Littlestpetshop.com

© 2006 Hasbro. All Rights Reserved. TM & ® denote U.S. Trademarks. U.S. Pat. No. 5971855 51472 Asst. PN 6626210000