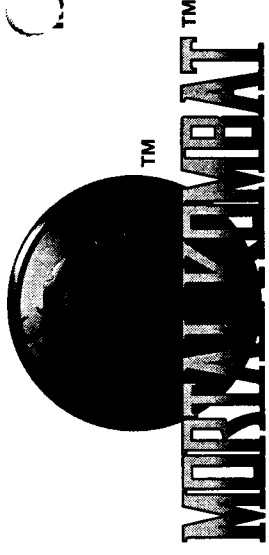


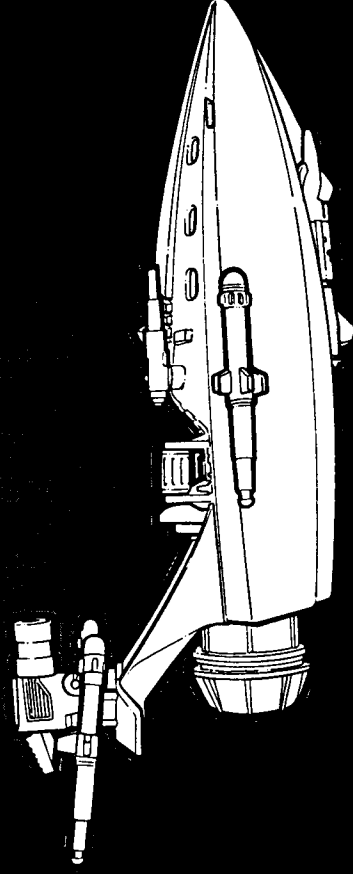
Age Code:  
Rated 10 & Up



CONTAINS: Hull, Deck, Cockpit with Jet, Jet Cover, Air Foil, Figure, Launcher, 2 Depth Charges, 2 Machine Guns, 2 Torpedoes, 4 Rockets, Label Sheet and Instructions.

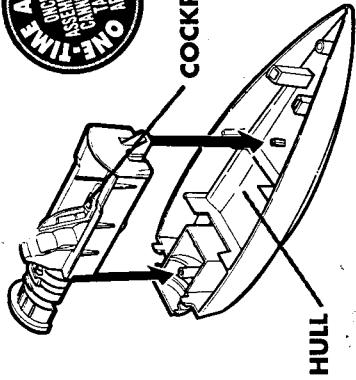
## DRAGON MK-1™ OFFICIAL VEHICLE SPECIFICATIONS

1. STABILIZING AIR FOIL
2. TWO PIVOTING MACHINE GUNS
3. TWO TERROR TORPEDOES
4. FOUR MK-1 ROCKETS
5. TWO LAUNCHABLE DEPTH CHARGES
6. MK-1 ROCKET LAUNCHER
7. ARMOR-PLATED HULL
8. SUPER-CHARGED JET ENGINE



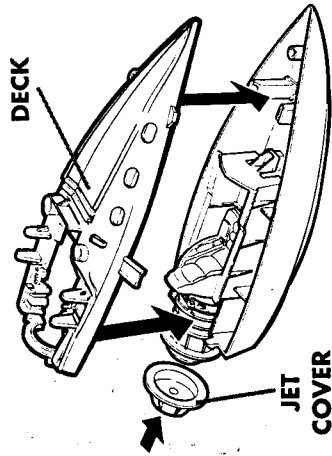
Remove all pieces from plastic frames. If you have difficulty use safety scissors.  
**CAUTION: Do not point weapon at eyes or face.**  
**WARNING: Contains small parts which pose a choke hazard for children under the age of three.**

Product and colors may vary.  
Approximate size of Dragon MK-1 is 10" L X 4" W X 3" H.  
©1994 Hasbro, Inc., Pawtucket, RI 02862 USA. All Rights Reserved.  
**MADE IN USA. FIGURE MADE IN CHINA.** Unauthorized Duplication Is Strictly Prohibited.  
©1992 MORTAL KOMBAT™ is a trademark of Midway Manufacturing Company.  
All Rights Reserved. Used Under License. P/N 45411300 81319



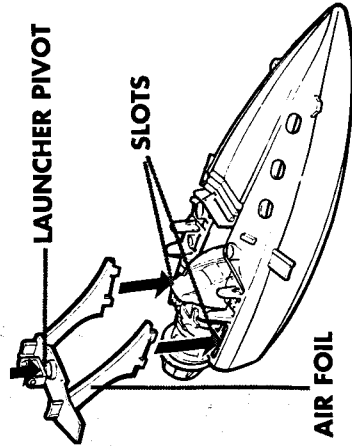
**COCKPIT ASSEMBLY**

1. Fit cockpit with jet down into hull as shown.



**HULL/DECK ASSEMBLY**

2. Snap deck over cockpit and onto hull. Snap jet cover over jet as shown.



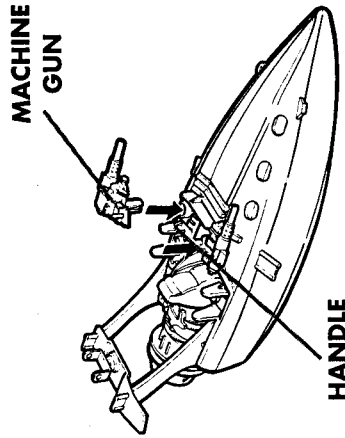
**LAUNCHER PIVOT**

SLOTS

**AIR FOIL**

**AIR FOIL INSTALLATION**

3. Snap air foil into slots in deck. Fit launcher pivot into air foil hole.

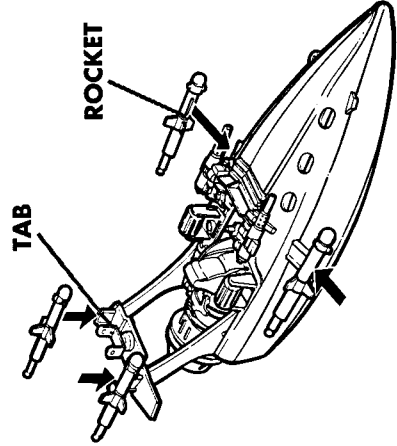


**MACHINE GUN**

**HANDLE**

**MACHINE GUN INSTALLATION**

4. With handles on machine guns facing in as shown, snap gun posts into deck holes.

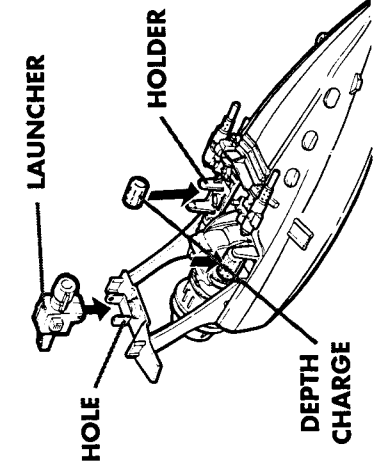


**TAB**

**ROCKET**

**ROCKET INSTALLATION**

6. Turn boat right side up. Fit rockets onto air foil tabs and side tabs as shown.



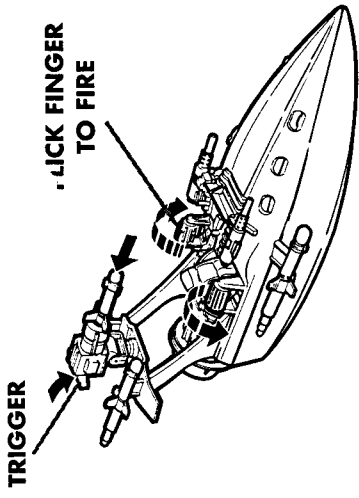
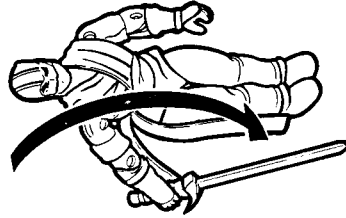
**LAUNCHER**

**HOLDER**

**DEPTH CHARGE**

**ROCKET LAUNCHER/DEPTH CHARGES**

7. Snap rocket launcher into launcher pivot. Snap depth charges into holders on deck.



**TRIGGER**

FLICK FINGER TO FIRE

**FIRING WEAPONS**

8. To launch depth charge, flick the depth charge with your finger as shown. To fire launcher, insert rocket into barrel and lock in place. Press trigger. CAUTION: Do not aim weapon at eyes or face.

**FIGURE INSTRUCTIONS**

9. Turn right arm clockwise as shown. To activate ninja action, release arm. Figure fits into cockpit.

**PEEL AND APPLY LABELS.**

