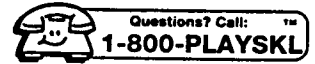




MAGIC CAROUSEL CYCLE™



For future reference, our toll-free consumer service number is also located on this product.

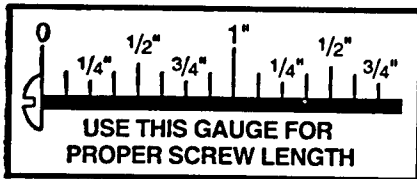
9" Trike Instructions

PLEASE KEEP THIS GUIDE AND ALL LITERATURE FOR FUTURE REFERENCE

Adults Please Note: This product should be assembled by an adult. Periodically check all hardware to be sure it is secure. Please read instructions prior to assembly. Study each step carefully to familiarize yourself with procedure and parts. Refer to back page for illustrated parts list. For easier assembly, trim excess plastic from all parts before starting.

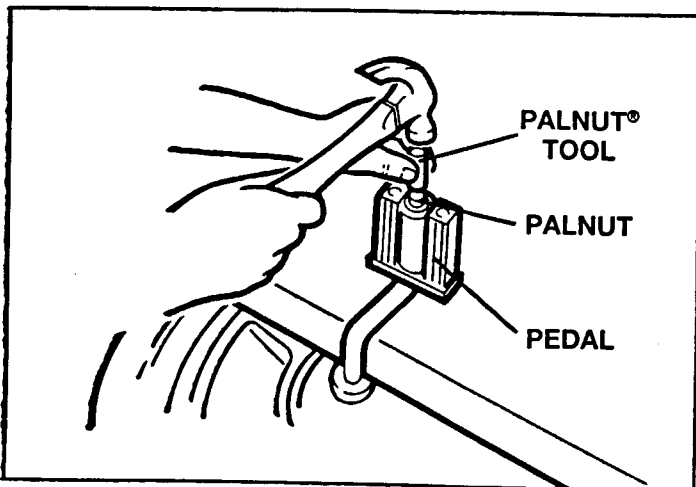
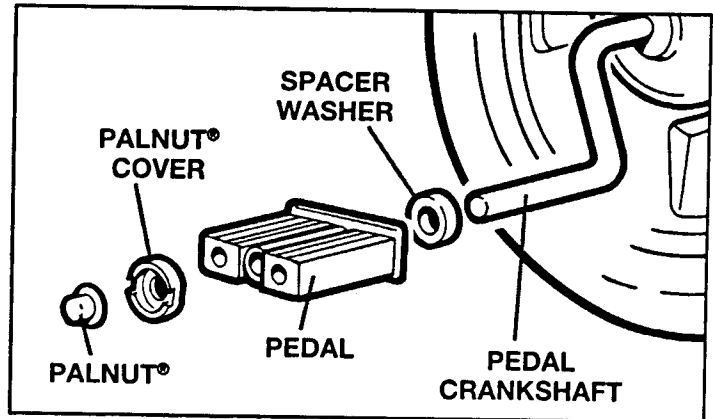
TOOLS REQUIRED (NOT INCLUDED): Hammer, Phillips® screwdriver and a small block of wood.

CAUTION: ADULT SUPERVISION AND INSTRUCTION REQUIRED REGARDING THE PROPER USE OF THIS TOY. THIS RIDE-ON TOY SHOULD NOT BE USED NEAR SWIMMING POOLS, ON OR NEAR HILLS, ROADWAYS, SLOPED DRIVEWAYS, ALLEYS OR STEPS. SHOES MUST BE WORN AT ALL TIMES. ONLY ONE RIDER AT A TIME. DO NOT RIDE AFTER DARK. DO NOT CARRY ANYTHING, PARTICULARLY OBJECTS THAT IMPAIR VISION, WHILE RIDING THIS TOY. DO NOT LEAVE CHILD UNATTENDED WHILE RIDING THIS TOY.



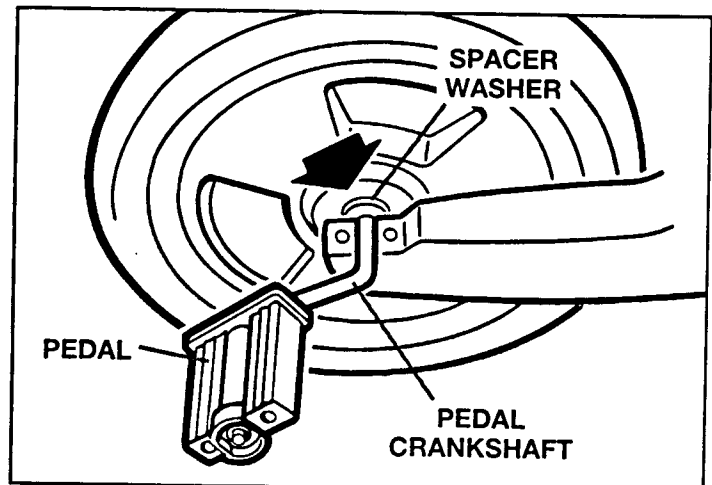
STEP 1. PEDAL ASSEMBLY

Slide a spacer washer onto the pedal crankshaft up to the wheel center. Next, slide a pedal onto the pedal crankshaft (rounded corners on pedal away from wheel). Then, slide a Palnut® cover onto the pedal crankshaft (flat side facing pedal) and finally, fit a Palnut over protruding end of shaft, as shown.



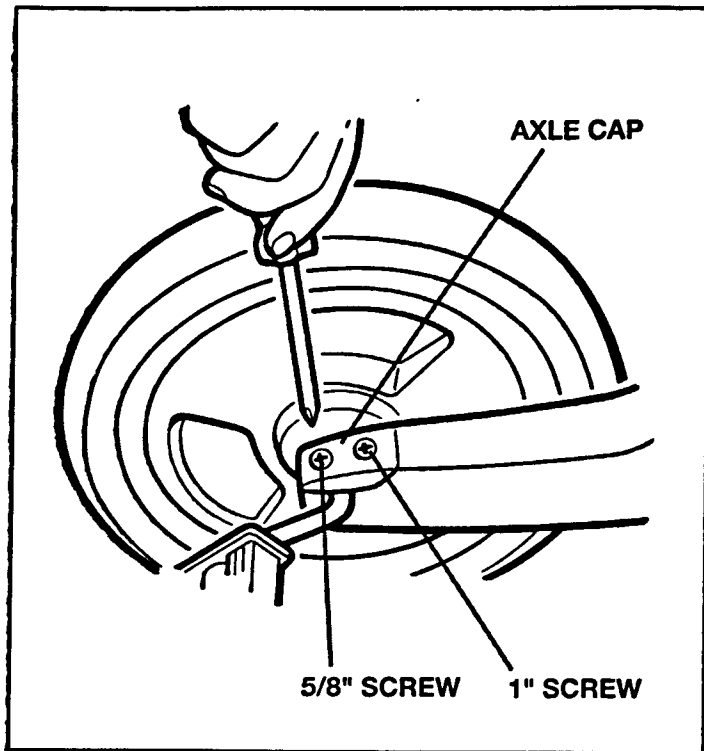
STEP 2. PEDAL ASSEMBLY (CONT.)

Use the edge of a flat surface to support the front wheel pedal assembly (see illustration). Then, position the Palnut tool over the Palnut and strike the end of the tool with the hammer. Make sure the Palnut is engaged by pulling on the pedal. Repeat steps 1 and 2 for the opposite side of the front wheel.



STEP 3. FORK & WHEEL ASSEMBLY

Fit fork under pedal crankshaft as shown. Make certain that spacer washers are between the wheel and fork.

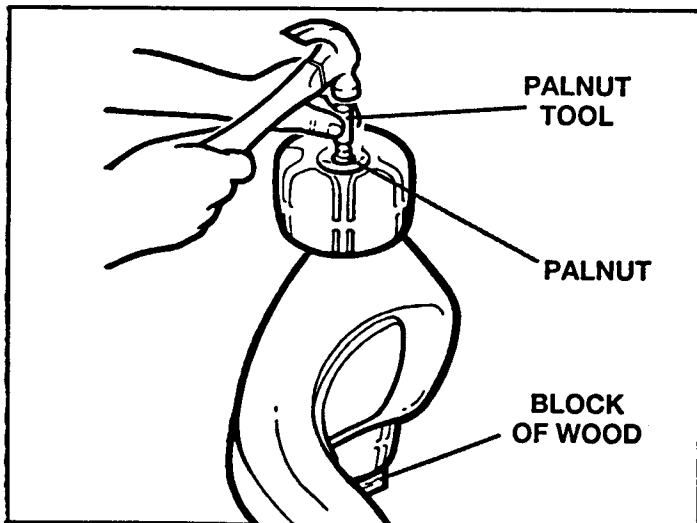


STEP 4. FORK/WHEEL ASSEMBLY (CONT.)

Position the axle cap over the pedal crankshaft as shown. Next, using the Phillips screwdriver, tighten a 1" screw into the hole closest to the top of the fork. Then, tighten a 5/8" screw into the remaining hole. Repeat this step for the other side of the fork.

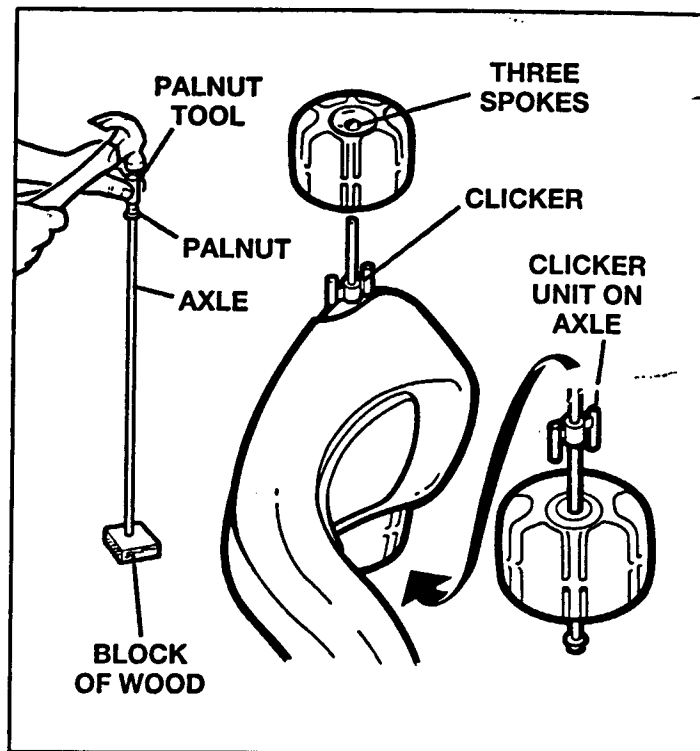
NOTE: DO NOT USE EXCESSIVE FORCE WHEN DRIVING THE SCREW INTO THE FRONT FORK.

DO NOT OVERTIGHTEN.



STEP 6. REAR WHEEL/BODY ASSEMBLY

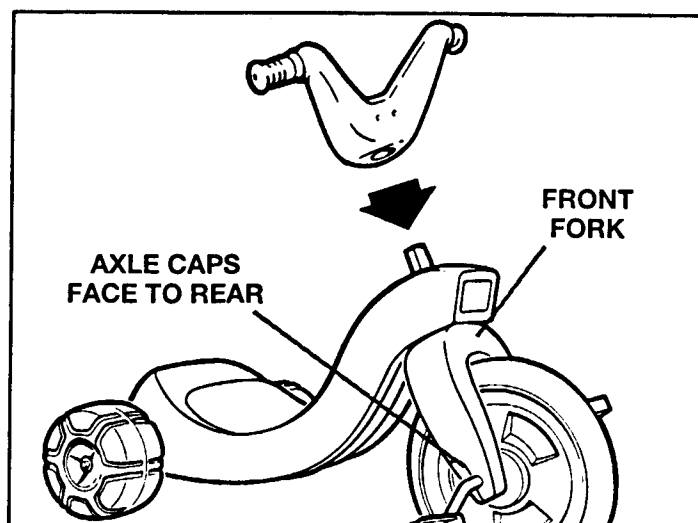
Put Palnut on the end of the rear axle. Make sure block of wood is positioned under axle. Using the Palnut tool and hammer, fasten the Palnut as shown. This will fasten the wheels to the body assembly.



STEP 5. REAR WHEEL ASSEMBLY

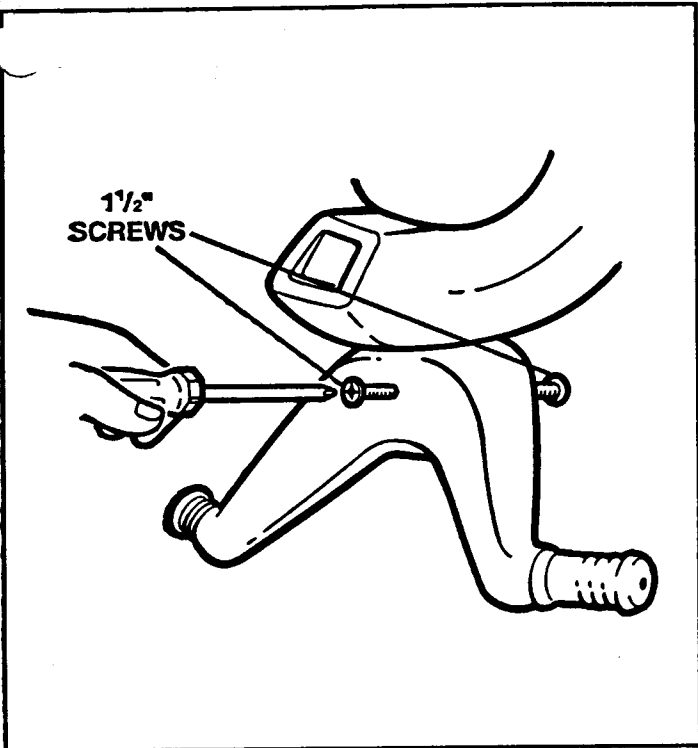
Place the rear axle onto a small block of wood as shown. Secure a Palnut to one end of axle using the Palnut tool. With the three spokes facing down, slide rear wheel onto axle down to attached Palnut. Slide clicker onto axle. Slide axle through holes in rear of body. Slide other clicker onto axle as shown. Put other rear wheel (with 3 spokes up) onto axle.

Note: The clickers must be installed even if clicking sound is not desired. To eliminate the clicking sound, snip off the ends of the clickers with large scissors.



STEP 7. HANDLEBARS ASSEMBLY

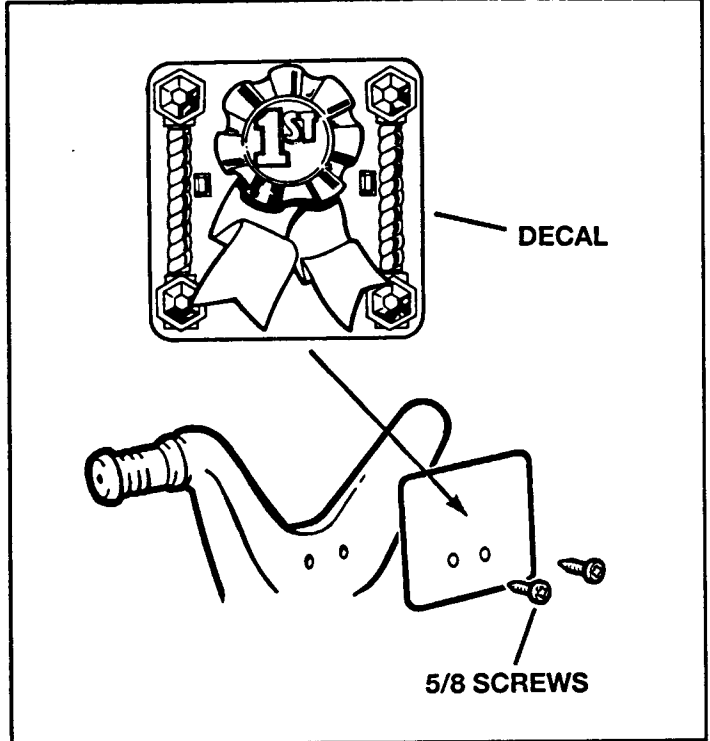
Insert the front fork through body. The axle caps must face the rear of the cycle. Then, slide the handlebars onto the fork post, handles facing back. Handlebars must be fully seated to fork.



STEP 8. FASTEN HANDLEBARS

Insert two 1 1/2" screws into pilot holes on front and back handlebars until screws are engaged (front screw goes in middle hole). Then, turn cycle upside down on its handlebars. Push down on fork and tighten the screws into the handlebars assembly.

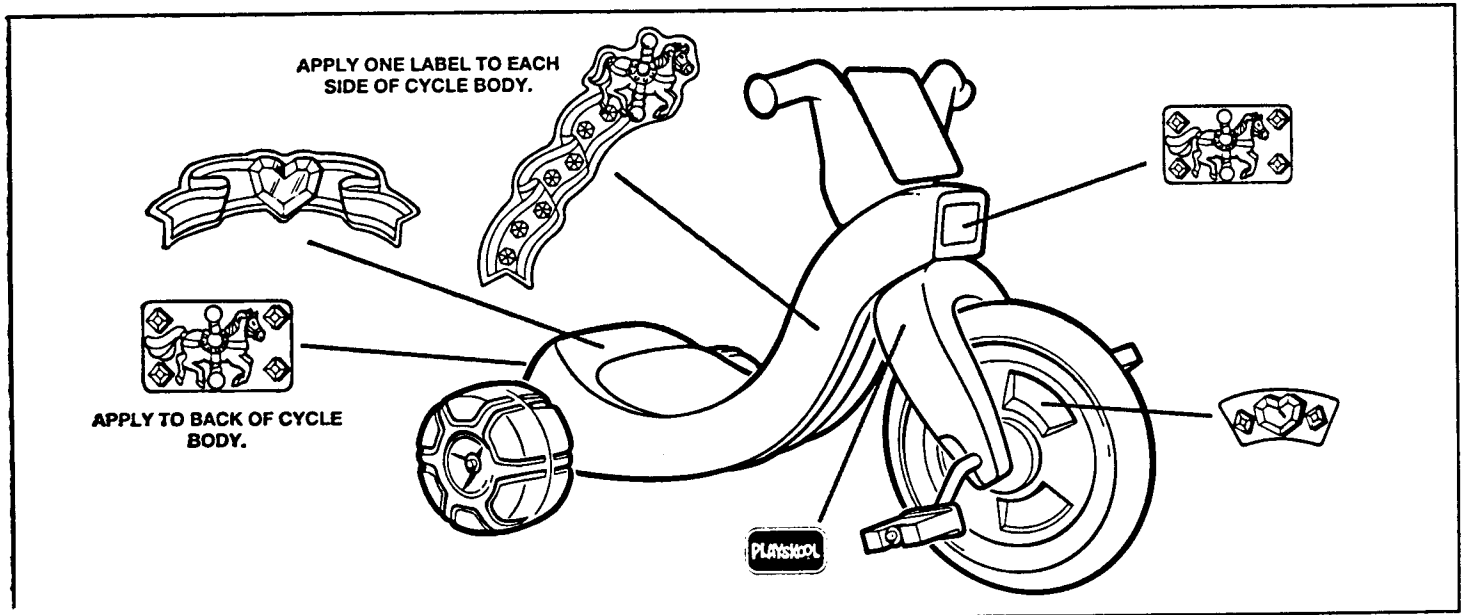
BE CAREFUL NOT TO OVERTIGHTEN.



STEP 9. PLAQUE ASSEMBLY

Wipe plaque with clean, dry cloth. Make sure holes are at bottom of plaque. Remove decal from decal sheet and apply to plaque as shown. Line up holes in plaque with holes in handlebars. Fit two 5/8" screws through decal and plaque, and into holes in handlebars. Tighten with screwdriver.

BE CAREFUL NOT TO OVERTIGHTEN.



STEP 10. DECAL INSTRUCTIONS

NOTE: THOROUGHLY WIPE DECAL AREAS WITH CLEAN, DRY CLOTH BEFORE APPLYING DECALS.

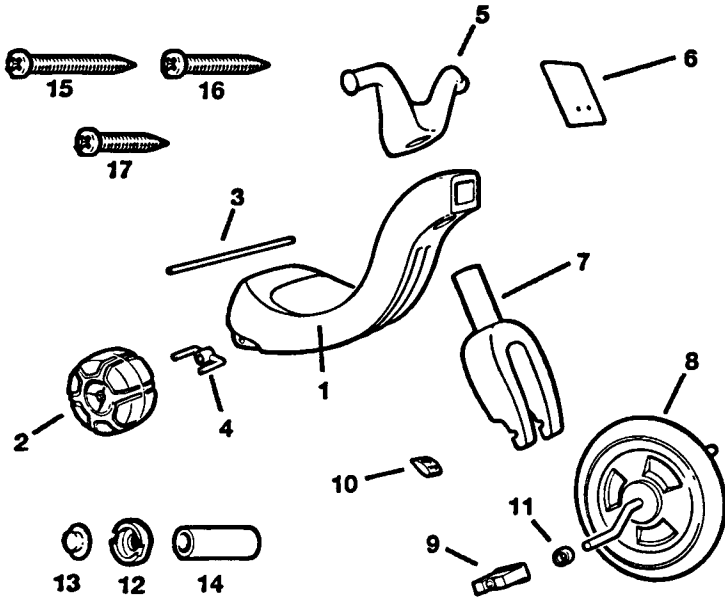
Using decal sheet, remove decals one at a time and apply to appropriate positions on cycle, as shown on diagram. Make sure all decals are positioned on cycle as shown.

IMPORTANT: BE SURE OF DECAL PLACEMENT BEFORE ALLOWING DECALS TO SET OVERNIGHT.

Replacement Parts Order Form
PARTS DIAGRAM FOR
9" MAGIC CAROUSEL CYCLE™
Ride-on Model 50515

Please check all parts carefully before assembly.

- | | |
|-----------------------------------|--------------------------------|
| 1. BODY | 10. AXLE CAPS (2) |
| 2. REAR WHEELS (2) | 11. SPACER WASHERS (2) |
| 3. REAR AXLE | 12. PALNUT COVERS (2) |
| 4. CLICKERS (2) | 13. PALNUTS (4) |
| 5. HANDLEBARS | 14. PALNUT TOOL |
| 6. PLAQUE | 15. 1 1/2" SCREWS (2) |
| 7. FRONT FORK | 16. 1" SCREWS (2) |
| 8. FRONT WHEEL WITH
CRANKSHAFT | 17. 5/8" SCREWS (4) |
| 9. PEDALS (2) | 18. DECAL SHEET
(NOT SHOWN) |



If you have any questions, comments, or need additional information concerning this product or its parts, please call our Playskool Consumer Service hotline at 1-800-PLAYSKL (1-800-752-9755), Monday through Friday, 8:00 AM to 5:00 PM Eastern Time.

All written inquiries should be mailed to: Playskool Consumer Service Department, P.O. Box 200, Pawtucket, Rhode Island 02862-0200

ITEM NO.	DESCRIPTION	PART NO.
1	Body	42446305
2	1 Rear Wheel	40285208
3	1 Rear Axle	40285100
5	1 Set of Handlebars	40285410
6	Plaque	42953802
7	1 Set of Front Forks	40285308
8	Front Wheel with Crankshaft	40286108
10, 11	2 Axle Caps, 2 Spacer Washers	Kit 1006
12	Palnut Covers	40287013
18	Decal Sheet	44816100
9, 13 & 14	Pedal Kit (Red) - 2 Pedals, 2 Palnuts & Palnut Tool	Kit 92002
15, 16, 17	Hardware Bag - (2) 1 1/2" Screws, (2) 1" Screws, (4) 5/8" Screws	41739300
4, 13, 14	Palnut Bag - 2 Clickers, 5 Palnuts, Palnut Tool	Kit 249

Palnut® is a registered trademark of TRW, Inc. All Rights Reserved.

© 1993 Playskool, Inc., Pawtucket, RI 02862 U.S.A., a subsidiary of Hasbro, Inc. All Rights Reserved.

© denotes Reg. U.S. Pat. & TM Office MADE AND PRINTED IN U.S.A.

50515 P/N 44817600