

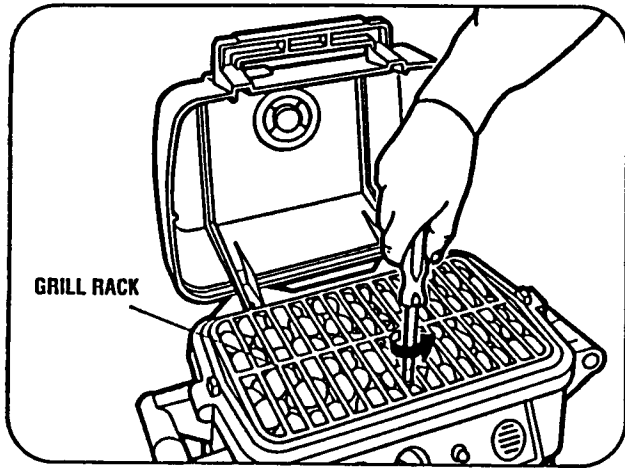


MAGIC SMOKING GRILL™

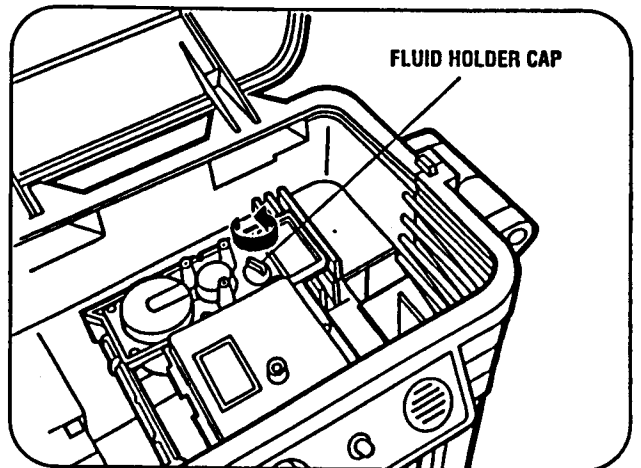
Thank you for purchasing the Playskool Magic Smoking Grill™! Please save this instruction sheet for future reference. If you have questions, comments or concerns about this product, please call Playskool toll-free at 1-800-PLAYSKL.

Includes: 2 nontoxic smoke fluid packets with .25 fl. oz. each, grill with lid, storage door, serving tray, tongs, spatula, fork, pretend hamburger with bun, 2 pretend hot dogs with buns, pretend potato chips with fabric storage bag, label sheet and instruction sheet.

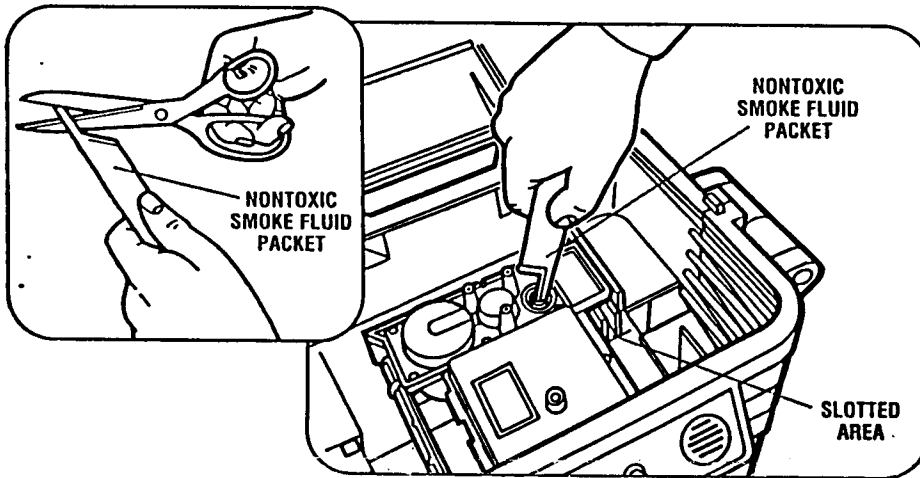
TO FILL MAGIC SMOKING GRILL™ WITH NONTOXIC SMOKE FLUID



1. Loosen screw and remove grill rack.



2. Turn cap counterclockwise and remove it from fluid holder.

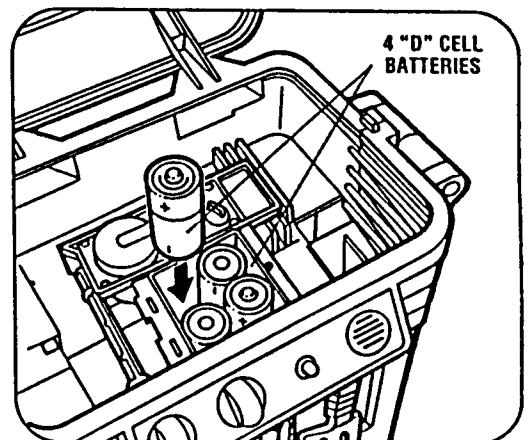
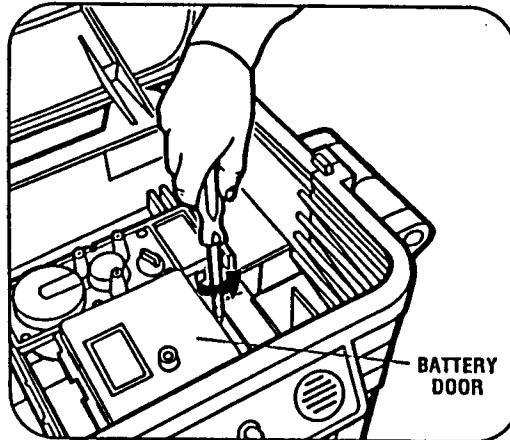


3. Snip the end of one nontoxic smoke fluid packet (inset). Carefully squeeze fluid into fluid holder. NOTE: The fluid is thick and comes slowly out of the packet. It is recommended that you pause as you fill the holder, to let the fluid settle before squeezing more fluid into it. Use only one packet at a time. Store additional smoke fluid packet in slotted area inside grill unit. When packet is empty, discard it and replace cap on holder, turning clockwise.

NOTE: The amount of smoke diminishes as the fluid is used up. When the smoke becomes very thin, it is time to replace the fluid.

TO INSERT BATTERIES

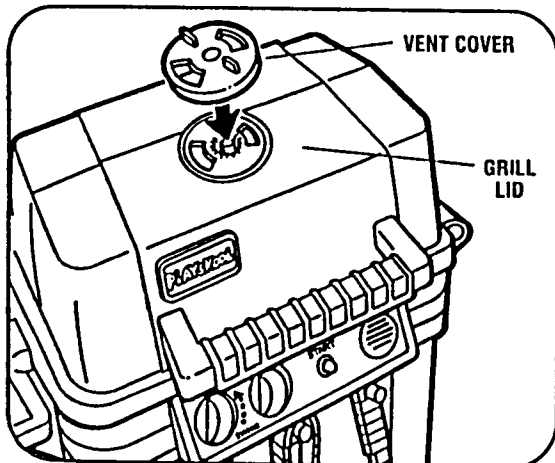
1. Loosen screw and remove battery door.
2. Place 4 "D" cell alkaline batteries in battery compartment as shown. Replace door and tighten screw. Make sure batteries are inserted correctly for proper operation.
3. Replace grill rack and tighten screw.



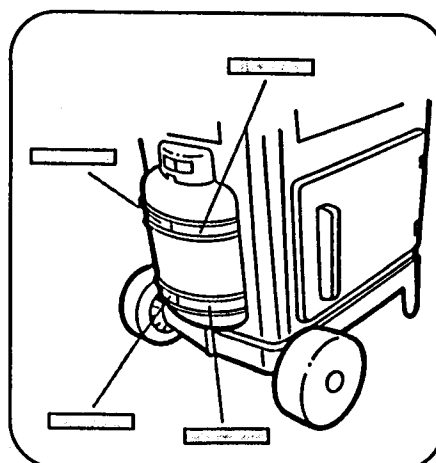
CAUTION: TO AVOID BATTERY LEAKAGE:

1. Be sure to insert the batteries correctly and always follow the toy and battery manufacturers' instructions.
2. Never mix old batteries and new batteries, or standard (carbon-zinc) with alkaline batteries.
3. Always remove exhausted or dead batteries from the product.
4. Remove batteries if product is stored for a long period of time.

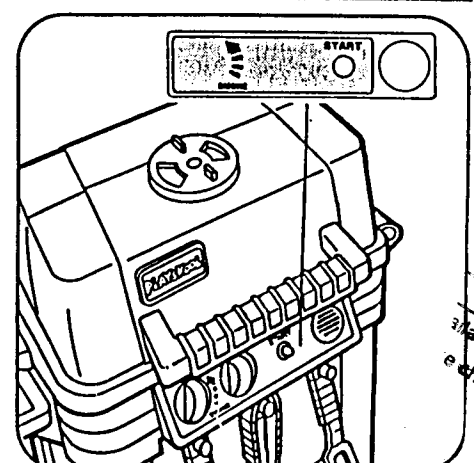
ASSEMBLY



1. Snap vent cover into grill lid.



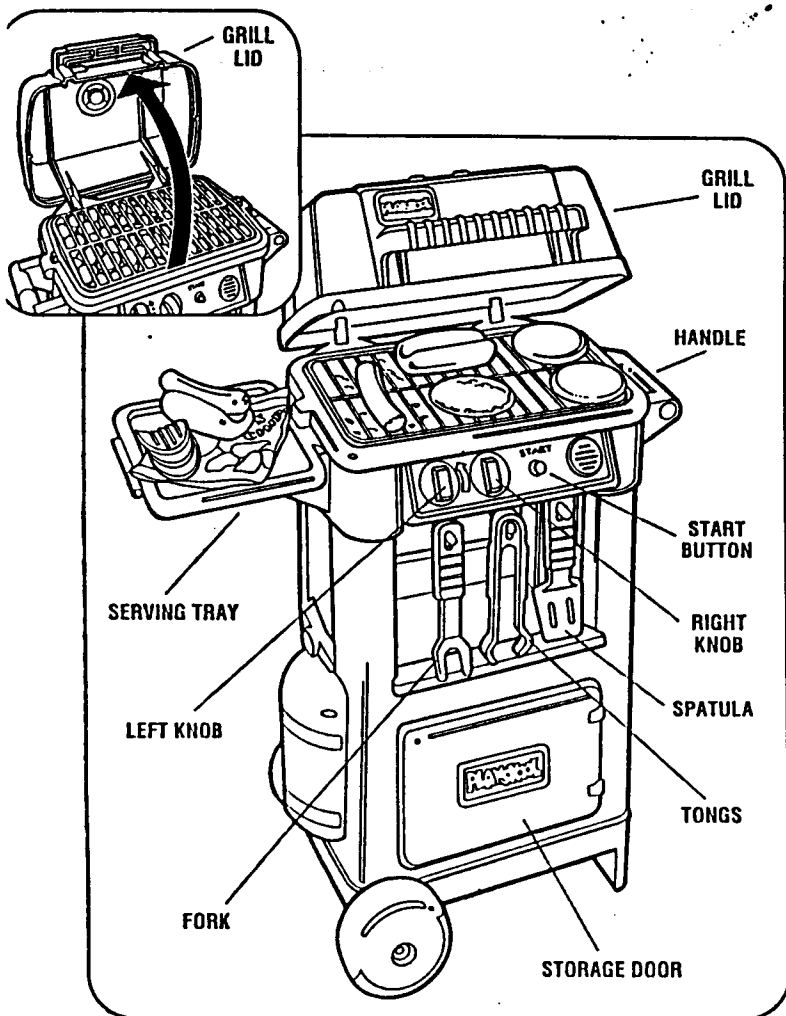
2. Peel and apply labels as shown.



21
available
e check

mov
yr
the f
for det

ACTIVATION AND PLAY FEATURES



1. Lift grill lid.
Note: When raising or lowering the lid, be careful not to drop it on hands or fingers.

2. Press START button to activate sizzling sounds, wait a few seconds to allow smoke to build up, then turn left knob counterclockwise to emit nontoxic smoke.

Note: The grill emits sizzling sounds with or without nontoxic smoke fluid.

Remember: You must press the button first before turning the knob, in order to start the grill and activate the smoke mechanism.

- The serving tray is also a convenient shelf when cooking at the grill. Place it onto either handle while cooking, then remove it to serve the food.
- You can hold a hot dog in the tongs, or fit it between the fork tines.
- You can use the utensils to place food on the grill or remove food when finished "cooking." When not using utensils, hang them on the hooks located on the front of the grill.
- Open the storage door to store accessories when finished playing.
- The right knob makes a fun clicking sound when you turn it.

NOTE: When finished playing, place the Magic Smoking Grill™ in a cool, dry place. Do not leave it outside or allow it to get wet.

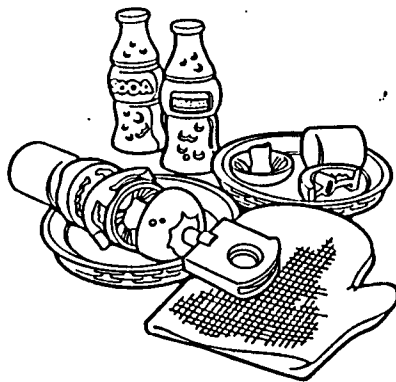
PLAYSKOOL® NONTOXIC SMOKE FLUID FOR THE MAGIC SMOKING GRILL™

- USE ONLY THE NONTOXIC SMOKE FLUID DESIGNED FOR THE PLAYSKOOL MAGIC SMOKING GRILL. DO NOT USE ANY OTHER FLUID, AS IT MAY DAMAGE THE TOY.
- Use only one nontoxic smoke fluid packet at a time. If more than one packet is added to the holder, the grill may not work properly or may not emit smoke.
- You can purchase additional nontoxic smoke fluid packets by using the order form in this instruction sheet.
- The simulated smoke produced by this product may be irritating to some children with sensitive respiratory systems. The simulated smoke this product produces is nontoxic.

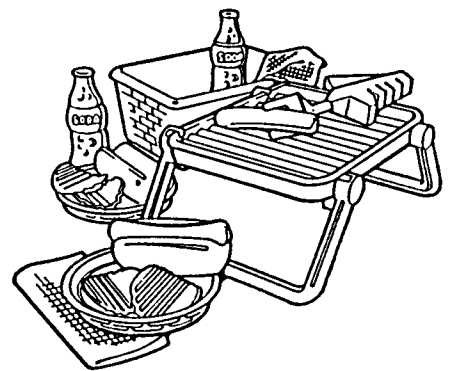
LOOK FOR THESE GREAT ACCESSORIES FOR MORE BARBECUE FUN WITH THE MAGIC SMOKING GRILL™!



Hamburger Set



Shish-Ke-Bab Set



Picnic Basket

CUT HERE

PLAYSKOOL® MAGIC SMOKING GRILL™ ADDITIONAL NONTOXIC SMOKE FLUID PACKETS OFFER

ITEM	QUANTITY	PRICE EACH (Includes Postage and Handling)	AMOUNT ENCLOSED
Nontoxic Smoke Fluid Packets		\$2.50	
California and Rhode Island residents add applicable sales tax:			
TOTAL AMOUNT ENCLOSED:			\$

While supplies last. All sales final.

or money order (no cash or stamps, please) payable to: Playskool Direct, Inc.

Mail to: Playskool Consumer Affairs
 P.O. Box 693
 Pawtucket, RI 02862-0693

Telephone No. _____

State _____ Zip _____

Next 4 weeks, please use new address.)

Very,

©1994 Playskool, Inc. All Rights Reserved.



Questions? Call: **1-800-PLAYSKL™**

For future reference, our toll-free consumer service number is also located on this product.

©1994 Playskool, Inc., Pawtucket, RI 02862 USA, a subsidiary of Hasbro, Inc. All Rights Reserved.

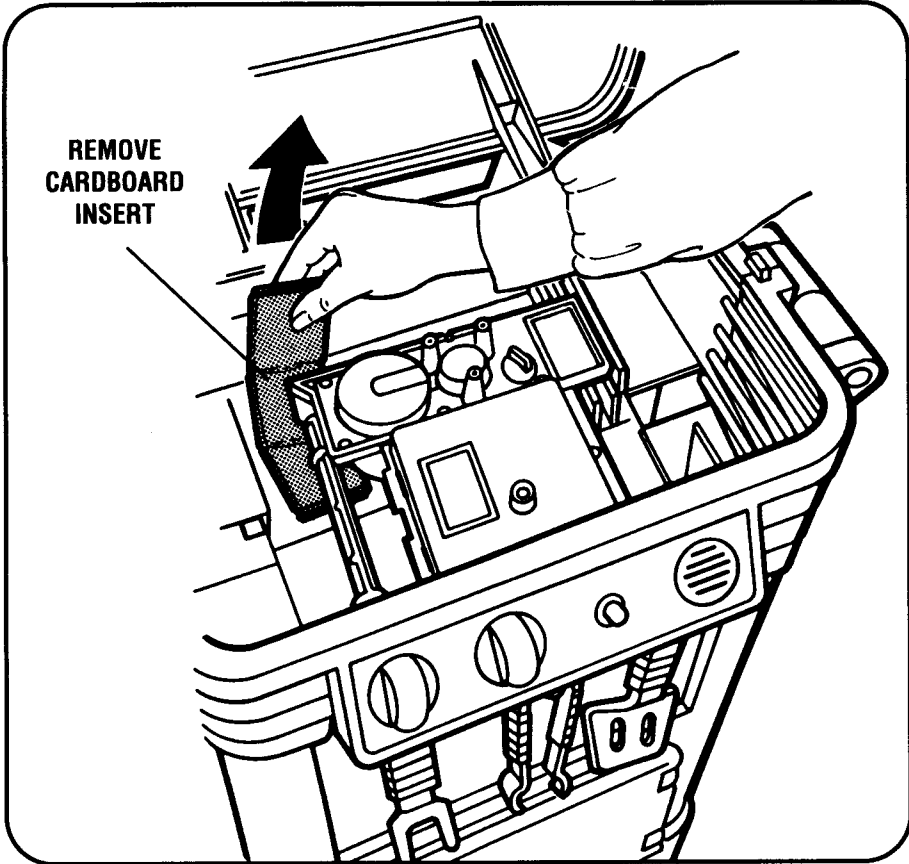
POTATO CHIP BAG AND ELECTRONIC COMPONENT MADE IN CHINA. ALL OTHER PARTS MADE IN USA.

® denotes Reg. U.S. Pat. & Tm. Office.
 791 P/N 44382300



MAGIC SMOKING GRILL™

NOTE: Before adding smoke fluid, remove the cardboard insert from inside the grill.



©1994 Playskool, Inc., Pawtucket, RI 02862 USA, a subsidiary of Hasbro, Inc. All Rights Reserved.
POTATO CHIP BAG AND ELECTRONIC COMPONENT MADE IN CHINA. ALL OTHER PARTS
MADE IN USA.

© denotes Reg. U.S. Pat. & TM Office.