



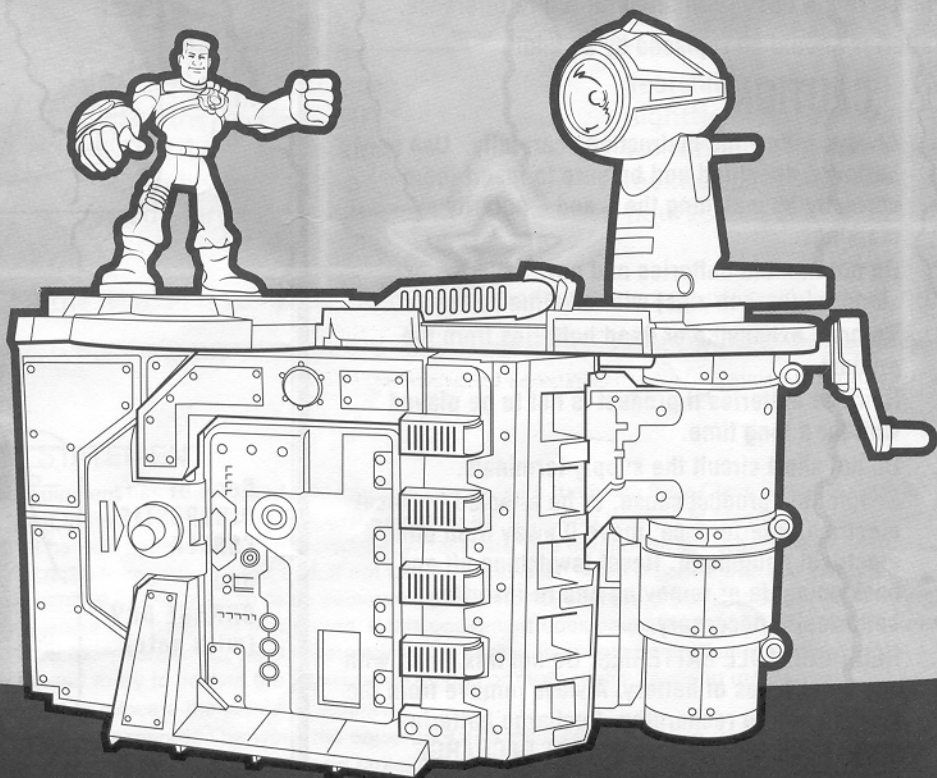
Star Fortress Headquarters™

Thank you for choosing this awesome MAJOR POWERS STAR SQUAD toy!

Requires 5 x 1.5V "AA"/LR6 alkaline batteries. Phillips/cross head screwdriver (not included) required for battery installation.

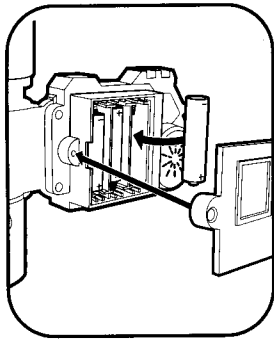
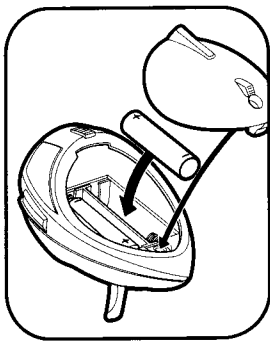
Includes: Garage bay, entrance wall, center wall, base plate, lookout platform, lookout handle, carry handle, gate, landing pad, searchlight, Major Power Figure.

Adult Assembly Required.



TO INSTALL BATTERIES

Use a Phillips/cross head screwdriver to loosen screw in battery compartment doors on searchlight and headquarters (screws remain attached to doors). Insert 2 fresh "AA"/LR6 (1.5V) alkaline batteries into searchlight compartment. Insert 3 fresh "AA"/LR6 (1.5V) alkaline batteries into headquarters compartment. Replace doors and tighten screws.



⚠ CAUTION: TO AVOID BATTERY LEAKAGE

1. Be sure to insert the batteries correctly and always follow the toy and battery manufacturers' instructions;
2. Do not mix old and new batteries or alkaline, standard (carbon-zinc) or rechargeable (nickel-cadmium) batteries;
3. Always remove weak or dead batteries from the product.

IMPORTANT: BATTERY INFORMATION

Please retain this information for future reference.

Batteries should be replaced by an adult.

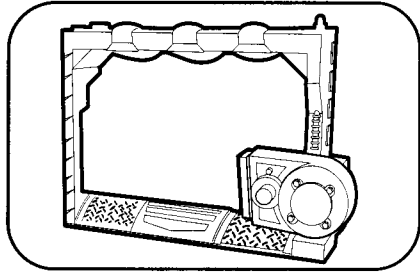
⚠ CAUTION:

1. Always follow the instructions carefully. Use only batteries specified and be sure to insert them correctly by matching the + and - polarity markings.
2. Do not mix old batteries and new batteries or standard (carbon-zinc) with alkaline batteries.
3. Remove exhausted or dead batteries from the product.
4. Remove batteries if product is not to be played with for a long time.
5. Do not short circuit the supply terminals.
6. Should this product cause, or be affected by, local electrical interference, move it away from other electrical equipment. Reset (switching off and back on again or removing and re-inserting batteries) if necessary.
7. **RECHARGEABLE BATTERIES:** Do not mix these with any other types of battery. Always remove from the product before recharging. Recharge batteries under adult supervision. **DO NOT RECHARGE OTHER TYPES OF BATTERIES.**

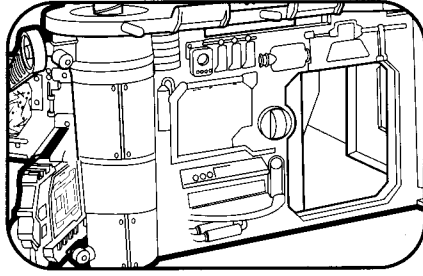
LABELS

Peel and apply labels as shown.

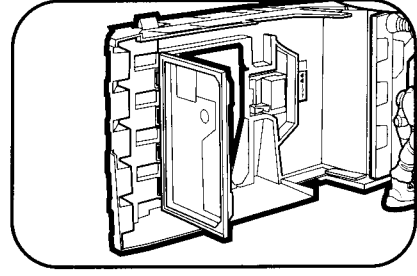
(It is recommended that labels be applied before assembly of toy.)



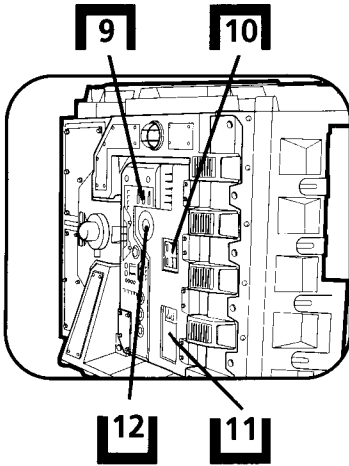
GARAGE BAY



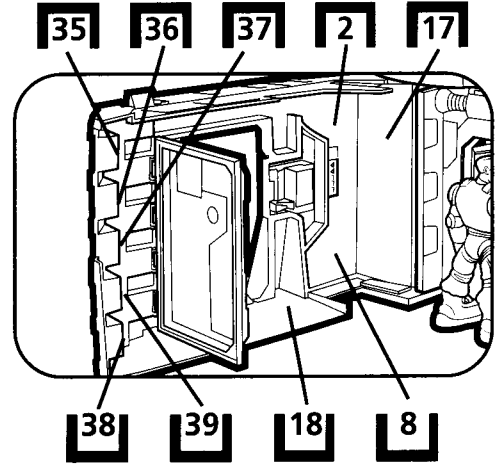
CENTER WALL (Left Side)



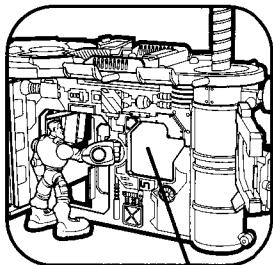
ENTRANCE WALL (Inside)



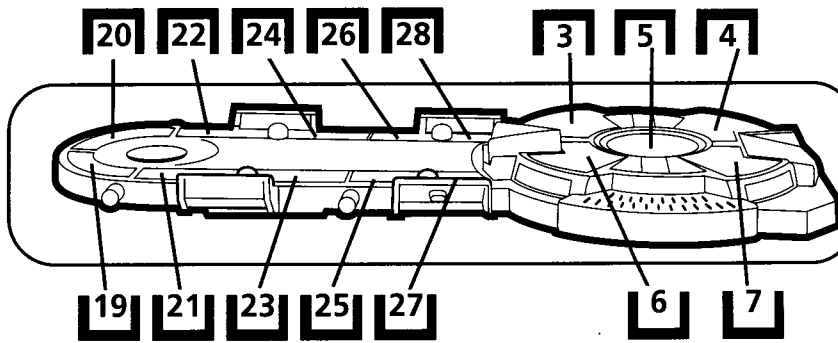
ENTRANCE WALL (Outside)



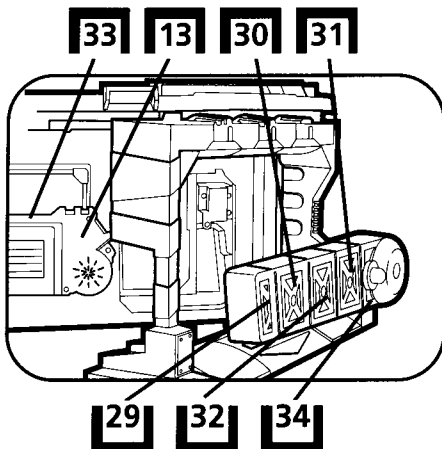
ENTRANCE WALL (Inside)



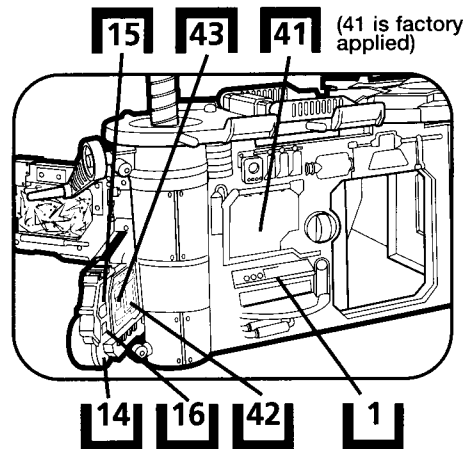
CENTER WALL (Right Side)



LANDING PAD



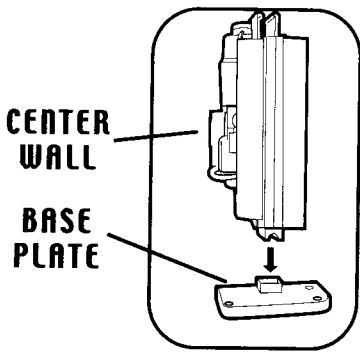
Back of DIAGNOSTIC CENTER and GARAGE BAY (with gate)



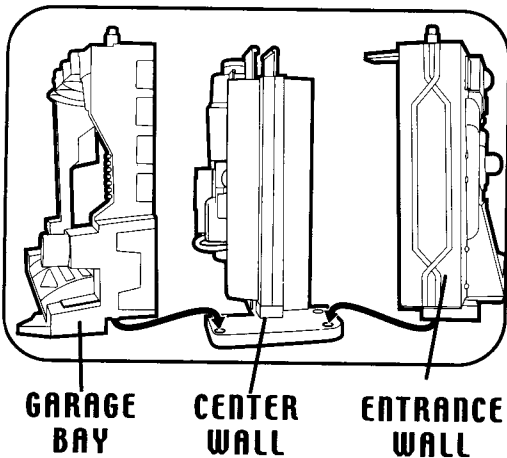
CENTER WALL (Left Side)

ASSEMBLY

1. Snap base plate onto center wall.

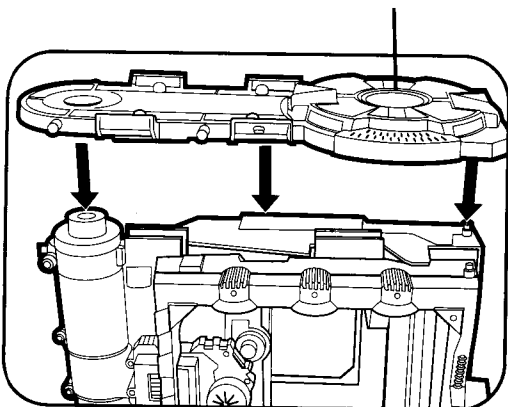


2. Insert pin on bottom of garage bay into hole in left side of center wall.
3. Insert pin on bottom of entrance wall into hole in right side of center wall.

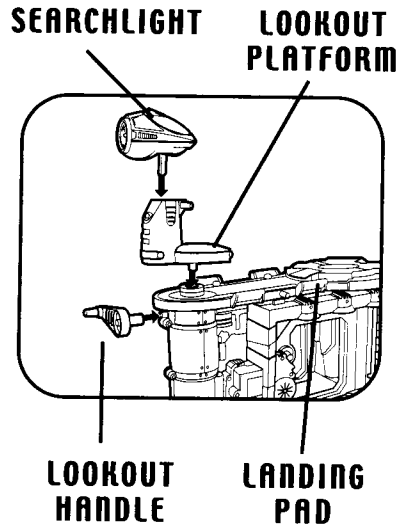


4. Align holes in landing pad with pins on garage bay and entrance wall. Snap landing pad into place, securing garage bay and entrance wall.

LANDING PAD



5. Snap lookout platform onto landing pad.
6. Snap lookout handle onto center wall.
7. Place searchlight on lookout platform. (Also fits in figure's hand.)

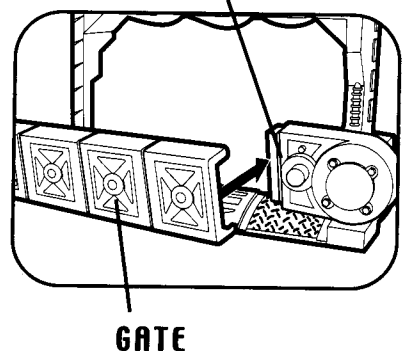


8. Snap carry handle onto landing pad.



9. Snap gate onto gate pivot located on garage bay.

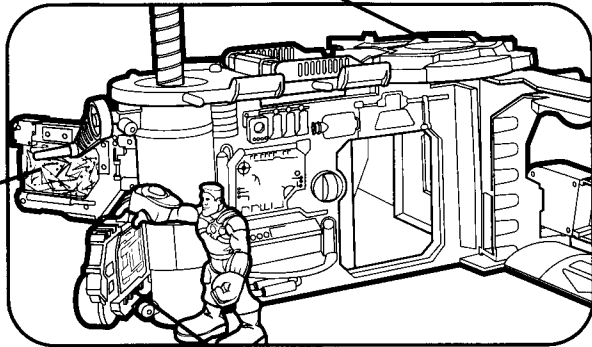
GATE PIVOT



PLAY FEATURES

The STAR FORTRESS HEADQUARTERS is a secret, high-tech command center where MAJOR POWERS plans all the STAR SQUAD missions! Unsnap and open the walls of the headquarters to launch your own STAR SQUAD adventures!

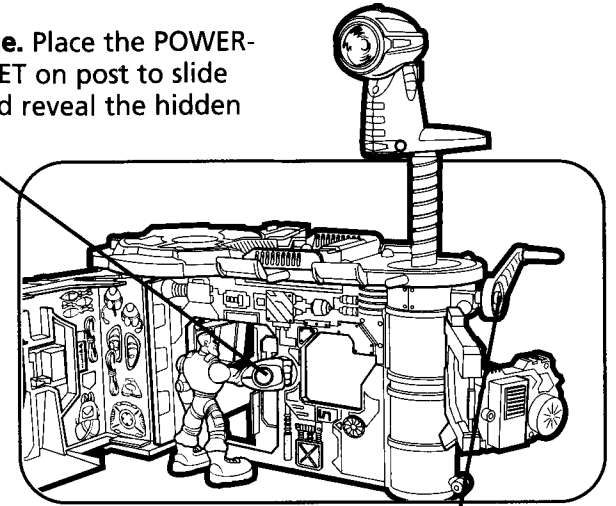
Landing Pad. The perfect place to land aircraft such as the STAR SQUAD ADVENTURE HELICOPTER™ vehicle (not included)!



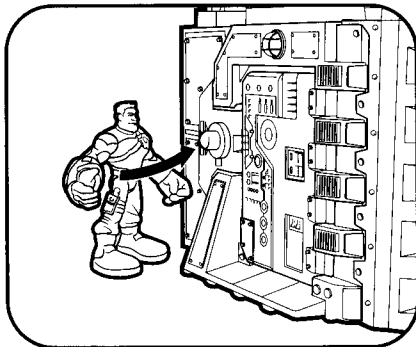
Mission Map. Push button on map...light-up stars indicate location of the mission!

Diagnostic Center. Press the vehicle check-up button to activate lights and sounds!

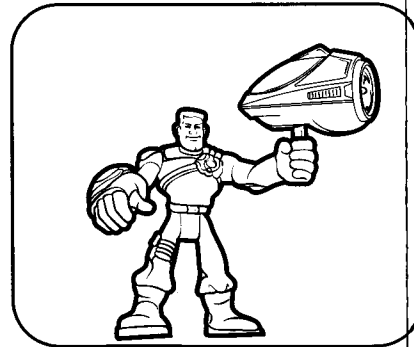
Center Passage. Place the POWER-LINK GAUNTLET on post to slide open door and reveal the hidden image!



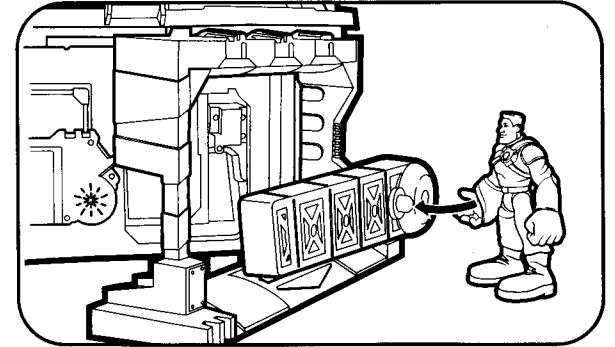
Lookout Post. Turn the handle to lift and lower the rotating lookout platform!



Headquarters Entrance. Place the POWER-LINK GAUNTLET on doorknob to open the door to the headquarters!



Searchlight. Conduct nighttime searches with working light! Place light on lookout platform or fit into figure's hand!



Garage Bay. Place the POWER-LINK GAUNTLET on post to raise the security gate and allow vehicle access to garage bay (vehicle not included).

When the mission is complete, fold the walls together and lift the carry handle for convenient transport to distant locations!

FCC STATEMENT

This equipment has been tested and found to comply with the limits for a Class B digital device, pursuant to Part 15 of the FCC Rules. These limits are designed to provide reasonable protection against harmful interference in a residential installation. This equipment generates, uses and can radiate radio frequency energy, and, if not installed and used in accordance with the instructions, may cause harmful interference to radio communications. However, there is no guarantee that interference will not occur in a particular installation. If this equipment does cause harmful interference to radio or television reception, which can be determined by turning the equipment off and on, the user is encouraged to try to correct the interference by one or more of the following measures:

- Reorient or relocate the receiving antenna.
- Increase the separation between the equipment and the receiver.
- Consult the dealer or an experienced radio/TV technician for help.



Questions? Call: 1-800-PLAYSKL



© 2003 Hasbro. All Rights Reserved.
® denotes Reg. U.S. Pat. & TM Office.
06675 P/N 6249700000