

INSTRUCTIONS:

Carefully remove all pieces from plastic frames.

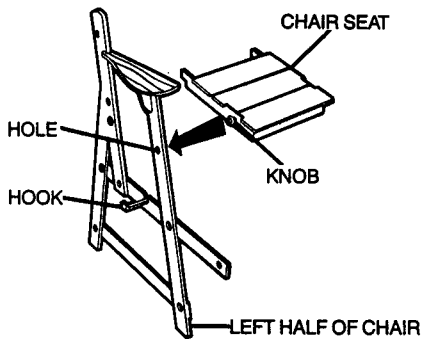
If you have difficulty, use safety scissors.

Adult supervision may be necessary for younger children.

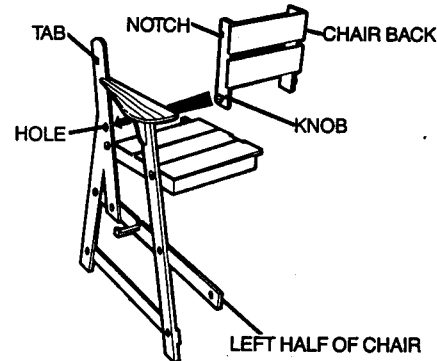
Remove all pieces from plastic bags and discard bags IMMEDIATELY.

How To Assemble Chair:

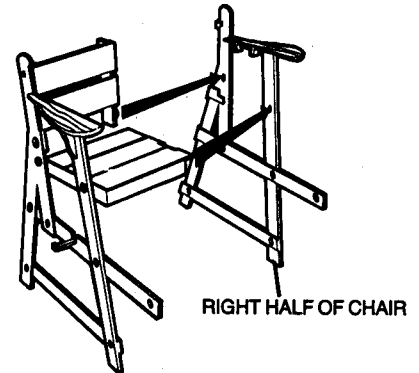
1. Snap knob on left side of chair seat into hole in left half of chair (left half has hook).



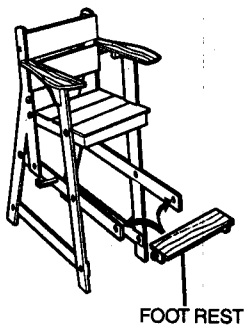
2. Snap knob on left side of chair back into hole in left half of chair. Snap notch on chair back onto tab.



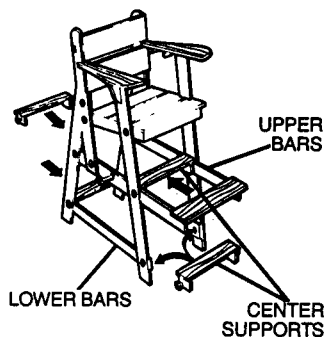
3. Snap right half of chair onto right sides of chair seat and chair back.



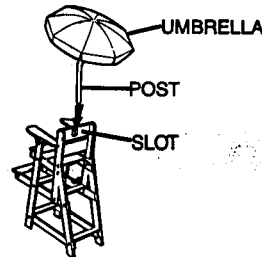
4. Attach foot rest (widest bar) to front of chair.



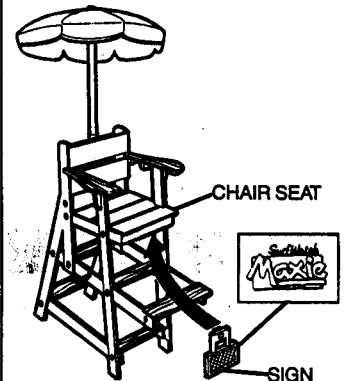
5. Attach two (2) center supports to upper bars of chair, and two (2) center supports to lower bars.



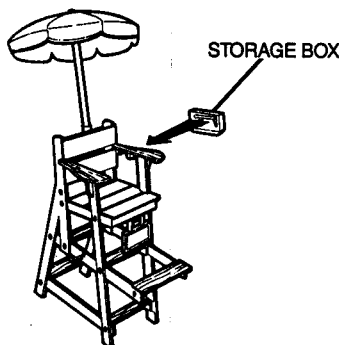
6. Insert one end of umbrella post into hole in umbrella. Now, insert other end of umbrella post into slot behind chair back. Turn the post to position the umbrella in different ways.



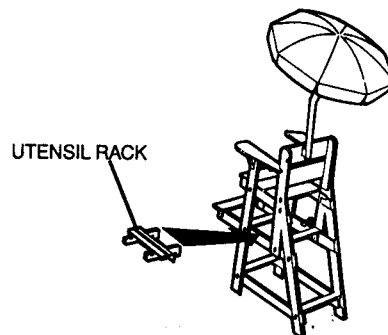
7. Peel and apply sign label to sign. Slip slot in sign over post beneath chair seat.



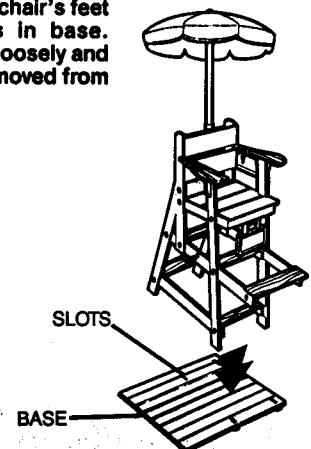
8. Slide bar on storage box into grooves under right arm of chair.



9. Press utensil rack onto upper bar on right half of chair. You can hang the cooking utensils on the rack's hooks.



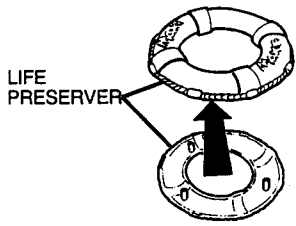
10. Insert chair's feet into slots in base. Chair fits loosely and can be removed from base.



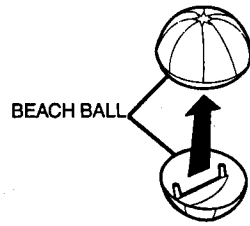
Case

How To Assemble Accessories:

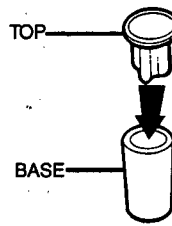
11. Press posts on one half of life preserver into holes in other half of life preserver.



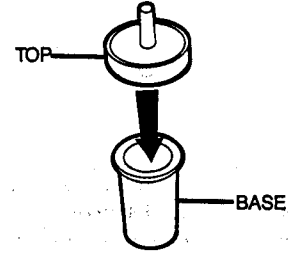
12. Press posts on one half of beach ball into holes in other half of beach ball.



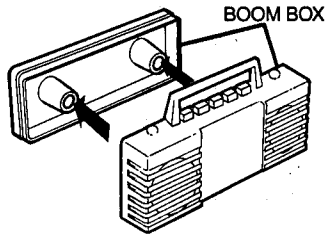
13. Insert top of soda can into base of can. Repeat for other soda can.



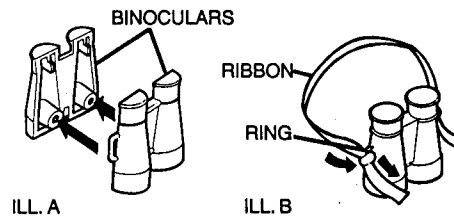
14. Press top of soda cup onto base of cup.



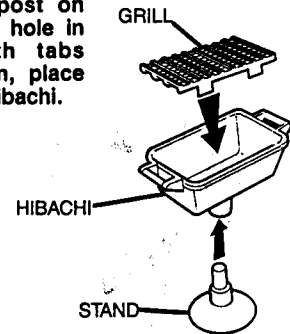
15. Press posts on front of boom box into holes in back of boom box.



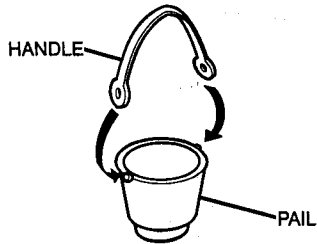
16. Press together both halves of binoculars. (ILL. A) To make a carry strap for the binoculars, slip ribbon through ring on one side of binoculars and tie a knot near end of ribbon. Repeat for other side. (ILL. B)



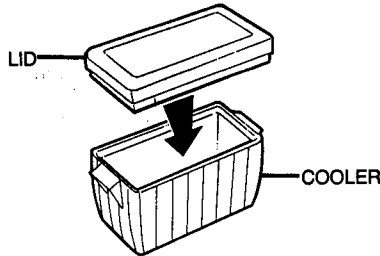
17. Insert post on hibachi into hole in stand. With tabs facing down, place grill inside hibachi.



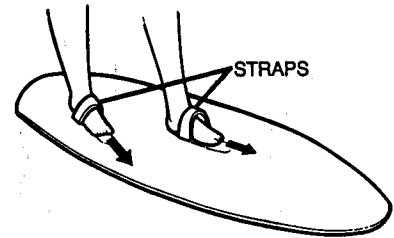
18. Press holes on ends of pail handle over knobs on sides of pail.



19. Snap lid onto cooler. Lid is removable for playing.



20. To get doll ready for pretend surfing, slip doll's feet into straps on surfboard as shown.



21. Peel and apply labels as shown.

