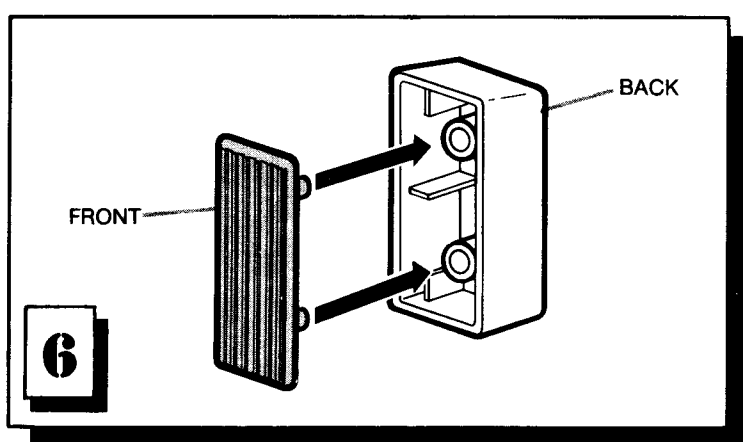
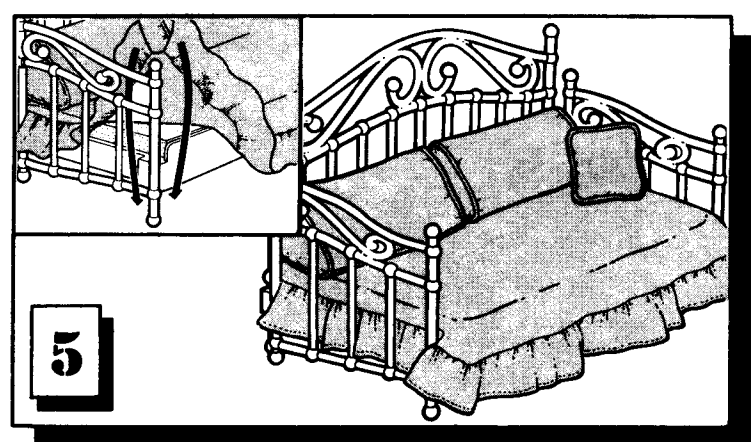
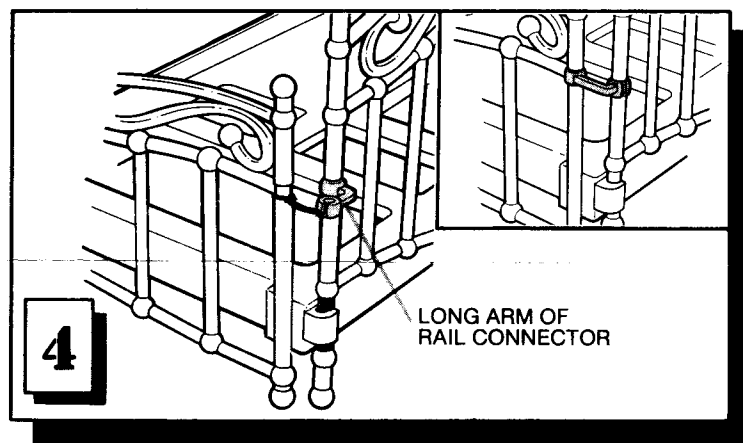
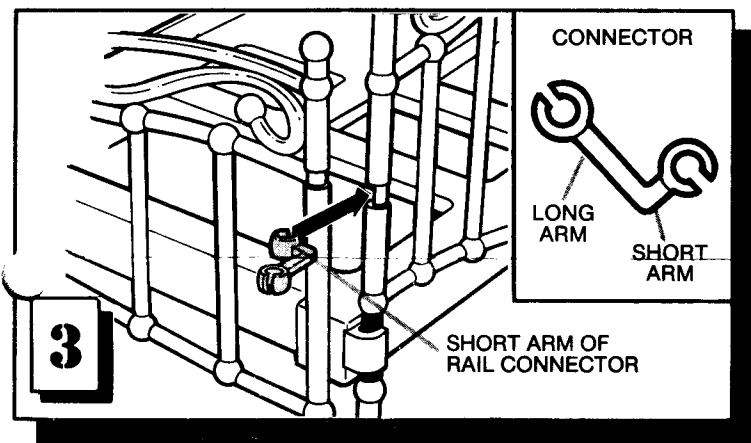
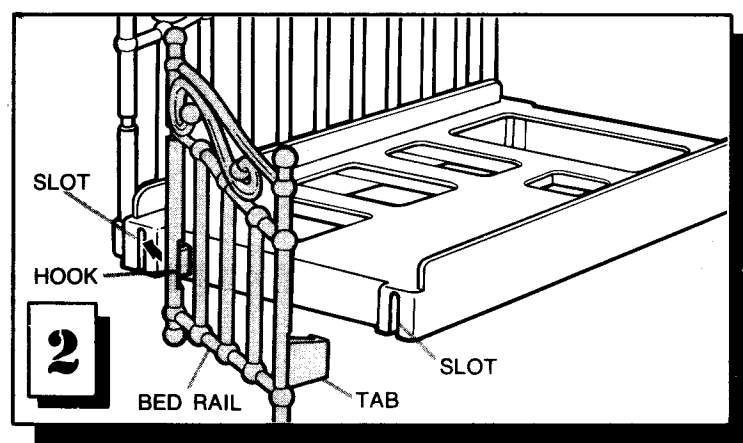
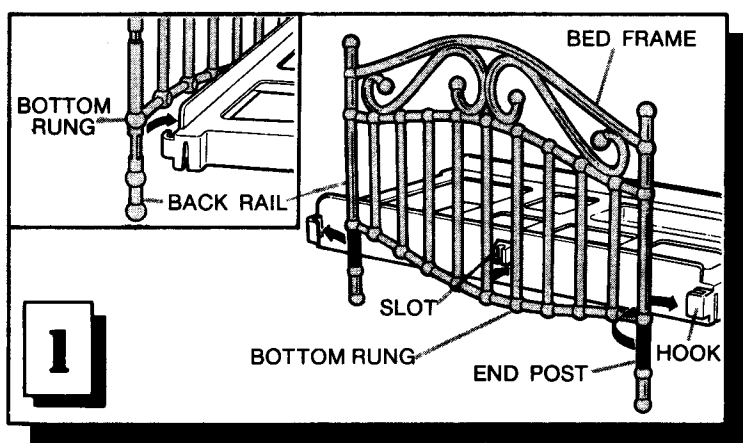




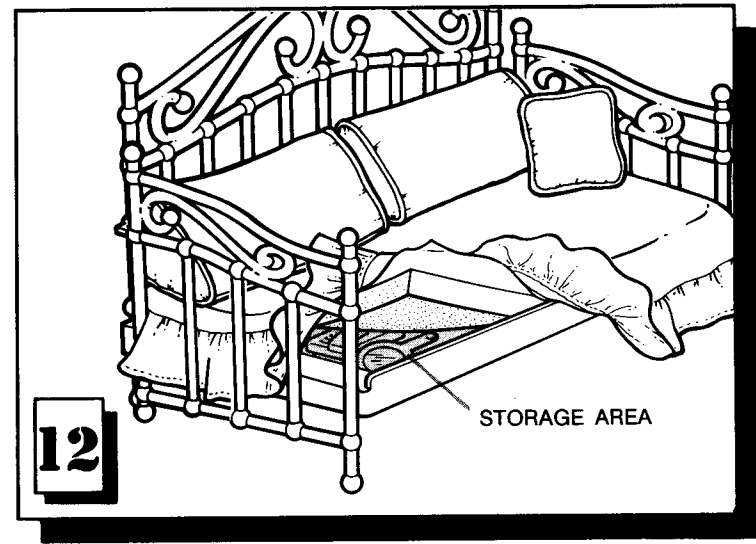
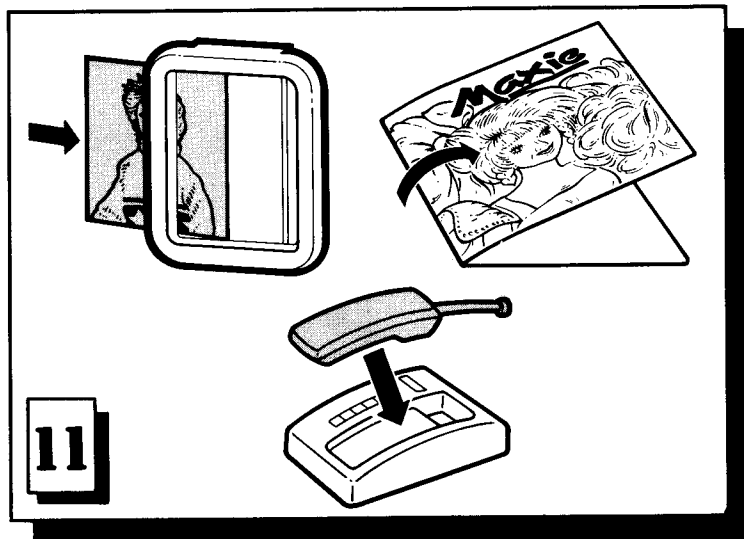
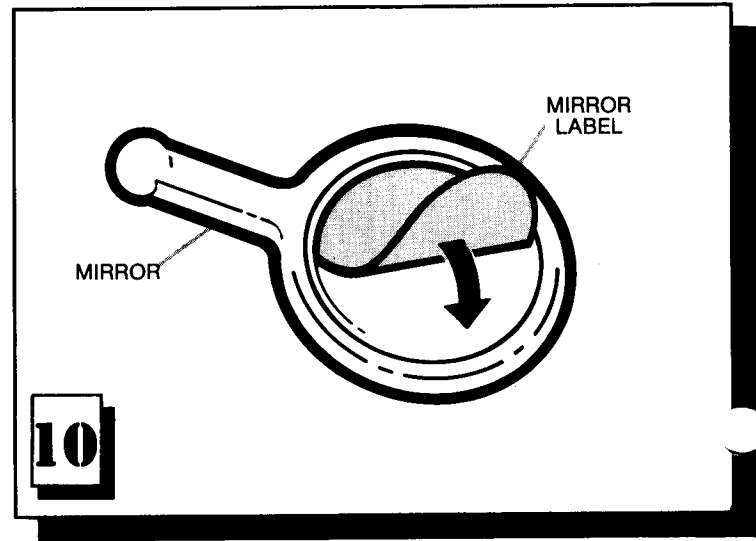
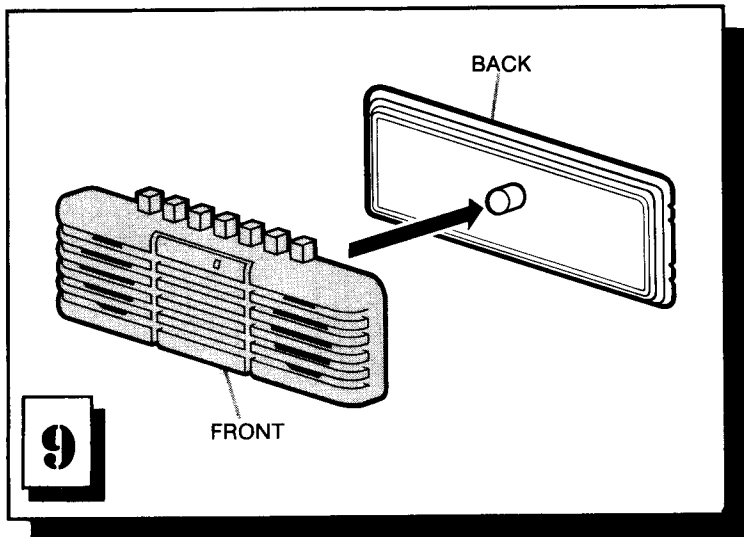
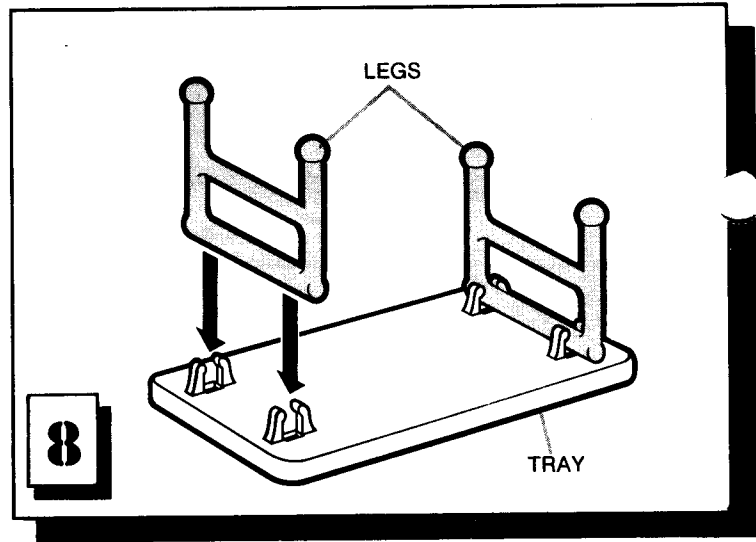
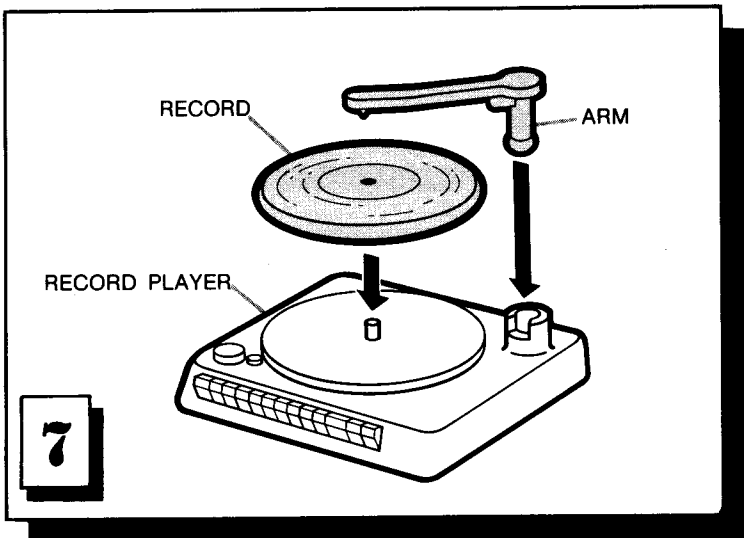
Day Dreaming
Bed

INSTRUCTIONS

Carefully remove all pieces from plastic frames. If you have difficulty, use safety scissors. Adult supervision may be necessary for younger children.



1. Place back rail so that flattened side of bottom rung faces back of bed frame. Insert end posts on back rail into hooks on bed frame, bending back rail to insert second end post. Snap center rung on back rail into center slot on bed frame. (ILL. 1)
2. Insert small hook on right bed rail into slot in right side of bed frame. Snap tab on bed rail into slot in bed frame. (ILL. 2) Repeat for left bed rail and left side of bed frame.
3. Attach short arm of rail connector to back rail as shown. (ILL. 3) Repeat for other connector.
4. Attach long arm of rail connector to side rail as shown. (ILL. 4) Repeat for other connector. See inset for illustration of completed assembly.
5. Place foam mattress and blanket on bed frame. Cover them with bedspread, tucking side frills between bed frame and bed rails. (See inset) Place bolsters and pillow on bed. (ILL. 5)
6. Snap posts on front of speaker into holes in back of speaker. Repeat for remaining speaker. (ILL. 6)



7. Snap post on record player arm into hole in record player. (ILL. 7)
8. Snap the bar on each bed tray leg into the slots in the bed tray. (ILL. 8) The legs swing under the bed tray for storage.
9. Snap together the front and back sections of the boombox. (ILL. 9)
10. Peel and apply mirror label to hand mirror as shown. (ILL. 10)
11. Remove the small picture from the sheet, and slip it into the picture frame. Remove the two magazines from the sheet and fold them in half along the crease. The phone receiver rests in the phone base.(ILL. 11)
12. The accessories store inside the indentation in the bed frame. (ILL. 12)

