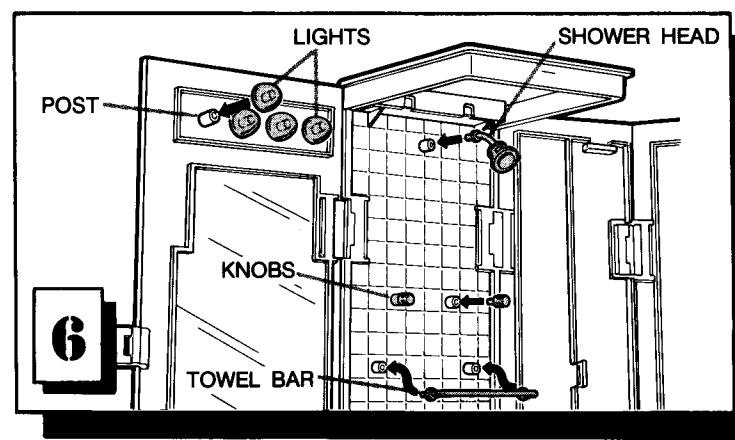
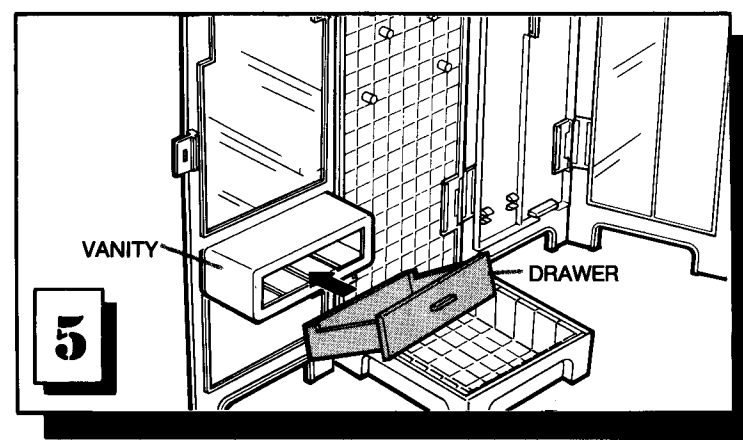
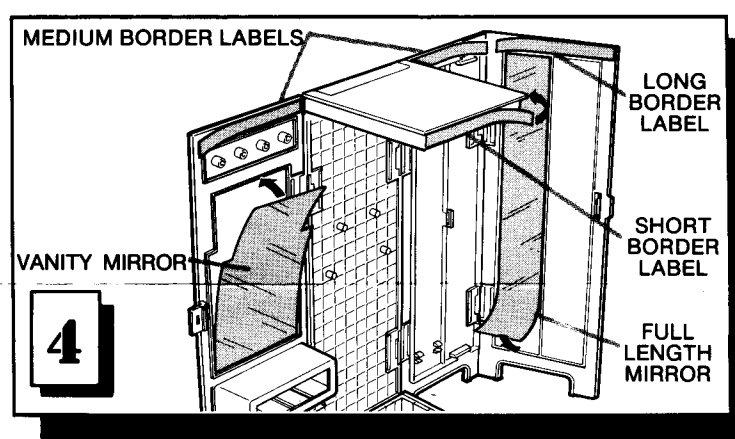
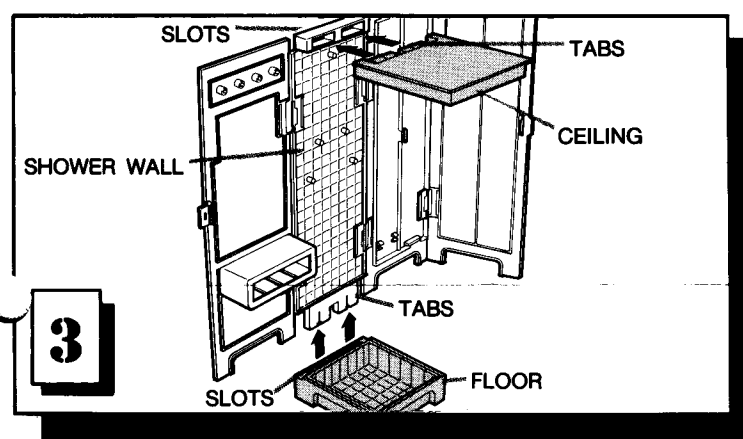
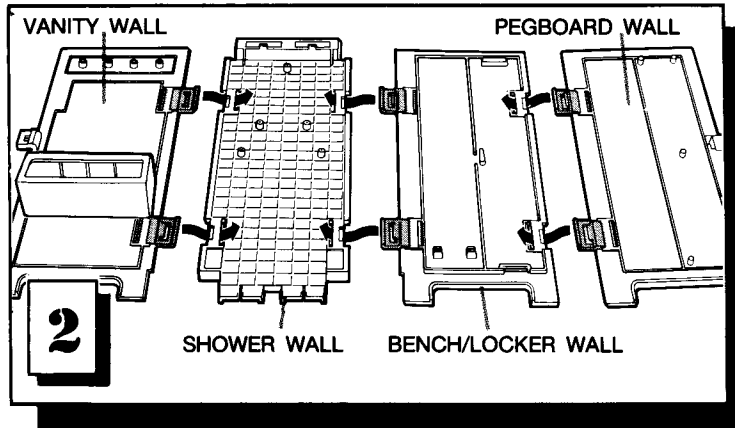
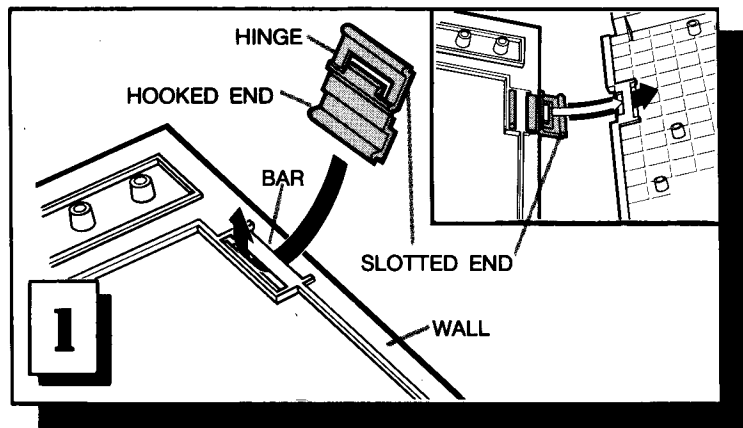




Too Cool! Locker

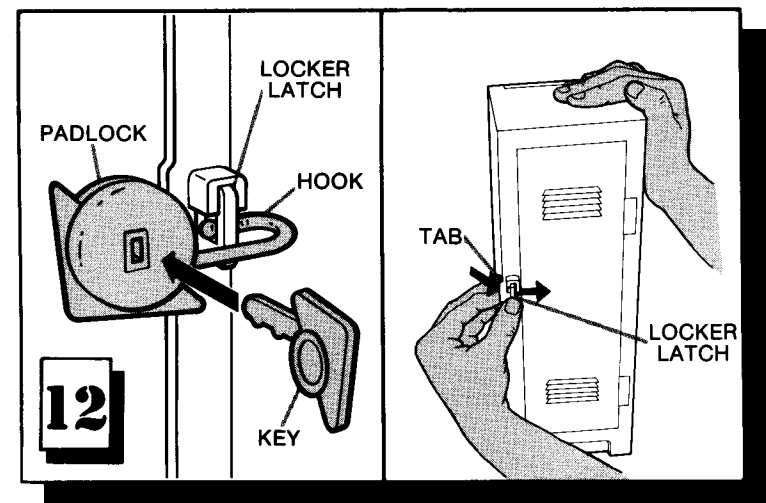
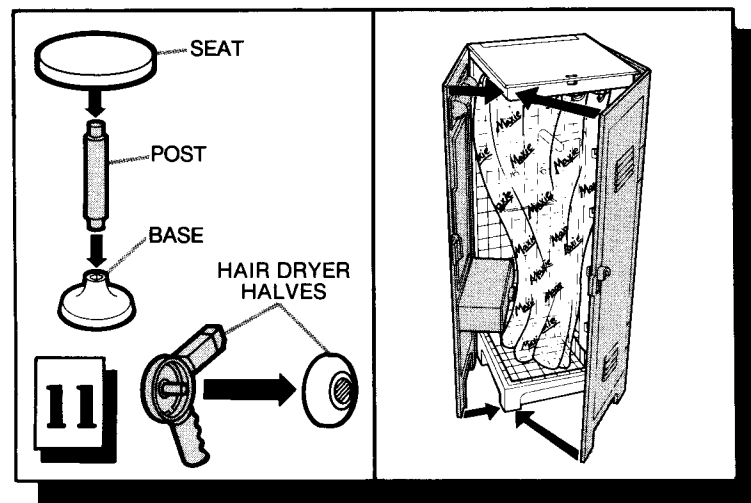
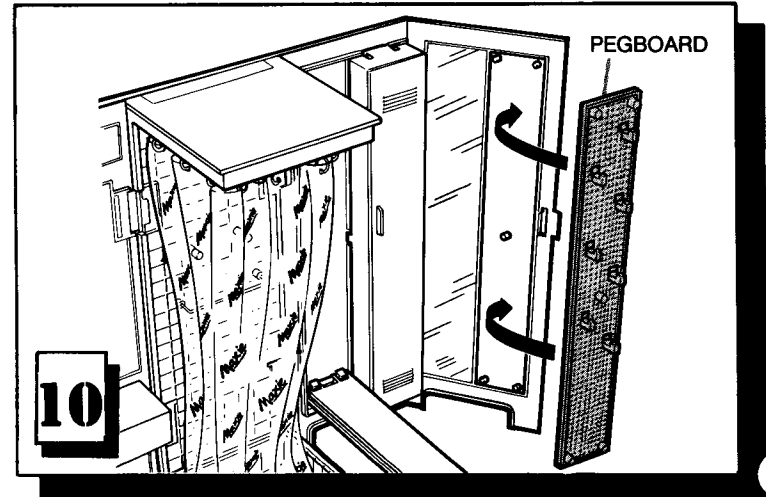
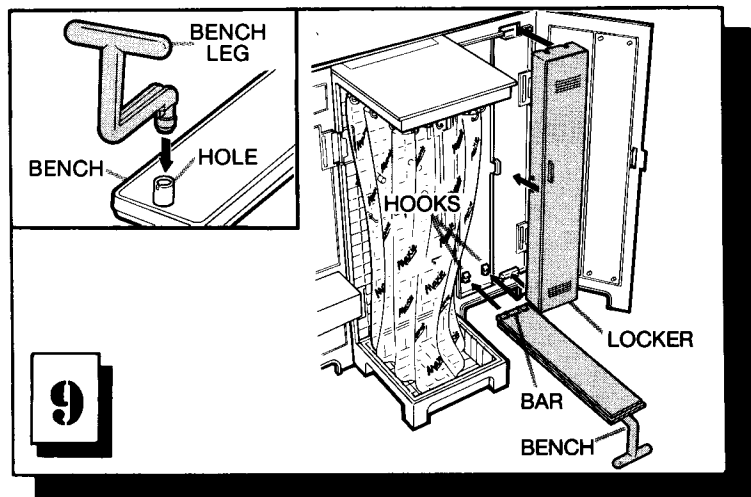
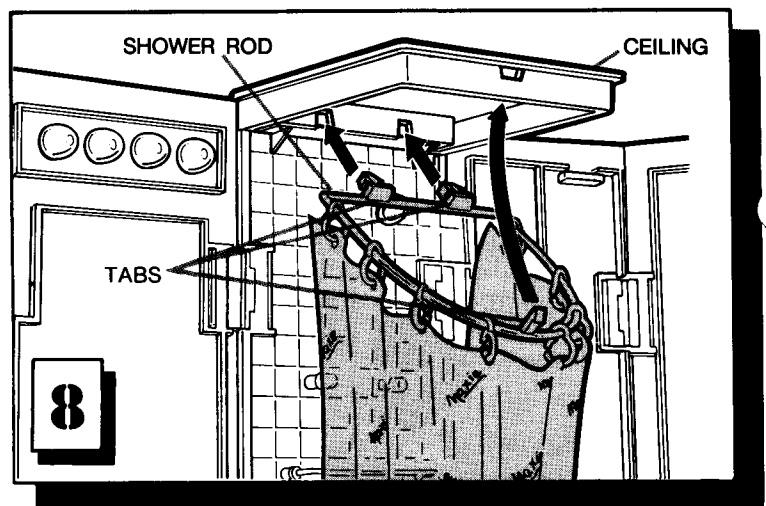
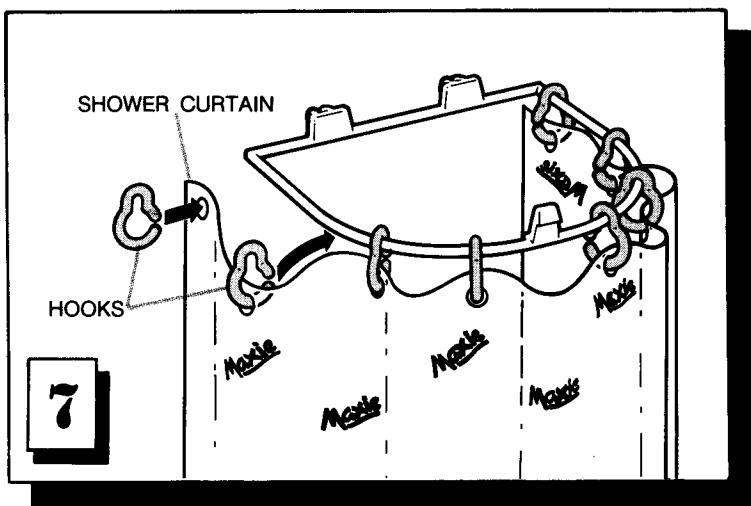
INSTRUCTIONS

Carefully remove all pieces from plastic frames. If you have difficulty, use safety scissors. Adult supervision may be necessary for younger children.



1. Thread hooked end of hinge through slots in wall. Press back of hinge to snap it into wall. Slip tab on slotted end of hinge into indentation in bar on other wall. Press back of hinge to snap it into wall. (ILL. 1) Always attach hooked end before attaching slotted end.
2. Place walls in order shown in illustration and attach all 6 hinges as described in Step 1. (ILL. 2) Make sure hinges are firmly attached and flush with walls.
3. Snap tabs on ceiling into slots in shower wall. Slip tabs on shower wall into slots in floor. (ILL. 3)
4. Peel and apply labels as shown. Note: The border labels come in three different lengths. Make sure you apply each label to the correct wall. (ILL. 4)
5. Insert back end of drawer into vanity on an angle, as shown. Rotate drawer down and slide it into vanity. (ILL. 5)
6. Press lights onto posts on vanity wall. Attach posts on shower head, knobs and towel bar into holes in shower wall as shown. (ILL. 6)





7. Attach hooks to shower curtain as shown. Clip hooks to shower rod, with four hooks on each side of center tab. (ILL. 7)
8. Snap tabs on shower rod into slots in ceiling. (ILL. 8)
9. Press post on bench leg into hole in bench. Snap bar on bench into hooks in bench/locker wall. Snap locker onto bench/locker wall as shown. (ILL. 9) Locker door snaps closed. Open and close door several times to make hinges move more easily.
10. Press pegboard onto pegboard wall shown. (ILL. 10)
11. Attach base and seat of vanity stool to post. Press post on one half of hair dryer into hole in other half of hair dryer. To close locker, swing up workout bench and latch it to the wall. Swing walls toward shower area and latch locker closed. (ILL. 11). Peel the remaining labels and press them onto the walls, door or other areas of the locker!
12. Hook padlock through locker latch and press hook and lock together to close padlock. Key fits into padlock but does not turn. To open padlock, pull hook and lock apart. To open locker, pull tab out and push locker latch in at the same time. It may help to hold locker while unsnapping latch. (ILL. 12)