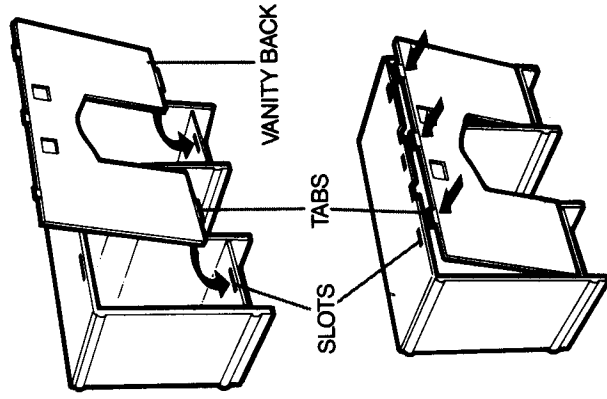


Maxie™

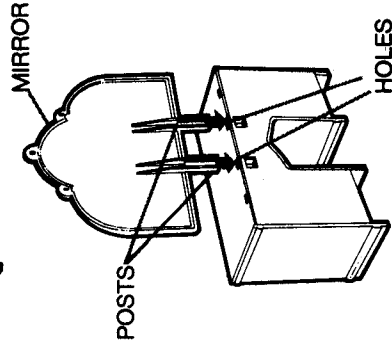
8266 101 Hairstyles and Vanity Instructions

How to assemble vanity and seat:

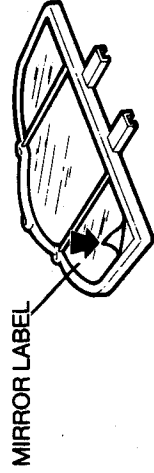
1. With smooth side of vanity back facing away from vanity, insert bottom tabs on vanity back into bottom slots in vanity.



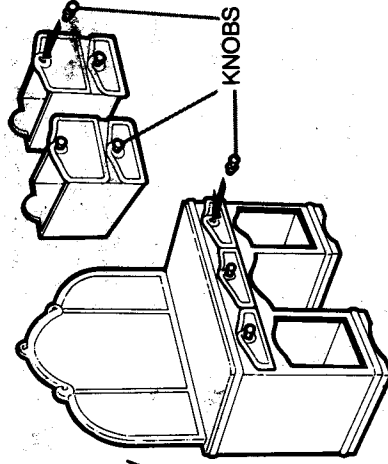
2. Gently bend top of vanity upward, and align tabs on vanity back with slots in top of vanity. Release top of vanity. Make sure tabs snap into place.



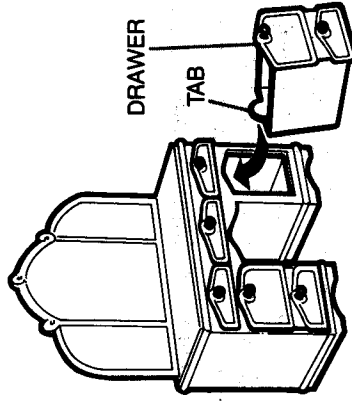
3. Peel and apply mirror label as shown. Insert posts on mirror into holes in top of vanity.



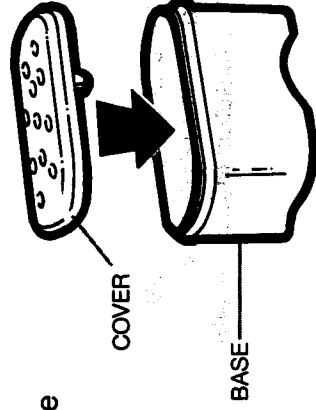
4. Carefully remove drawer knobs from plastic frame. If you have difficulty, use safety scissors. Adult supervision may be necessary for younger children. Discard frame. Snap knobs into holes in drawers. There should be one extra knob.



5. Tip back of drawer down. Place tab on back of drawer into vanity first. Straighten drawer and slide it into vanity. Repeat for other drawer. You can store accessories in the drawers.



6. Place cover on base of vanity seat. Cover is removable to let you store accessories inside the seat.



P/N 402472



©1989 Hasbro, Inc., Pawtucket, RI 02862 U.S.A. All Rights Reserved.

8286