

McDonald's Happy Meal DRIVE THRU

Happy Meal® Drive-Thru

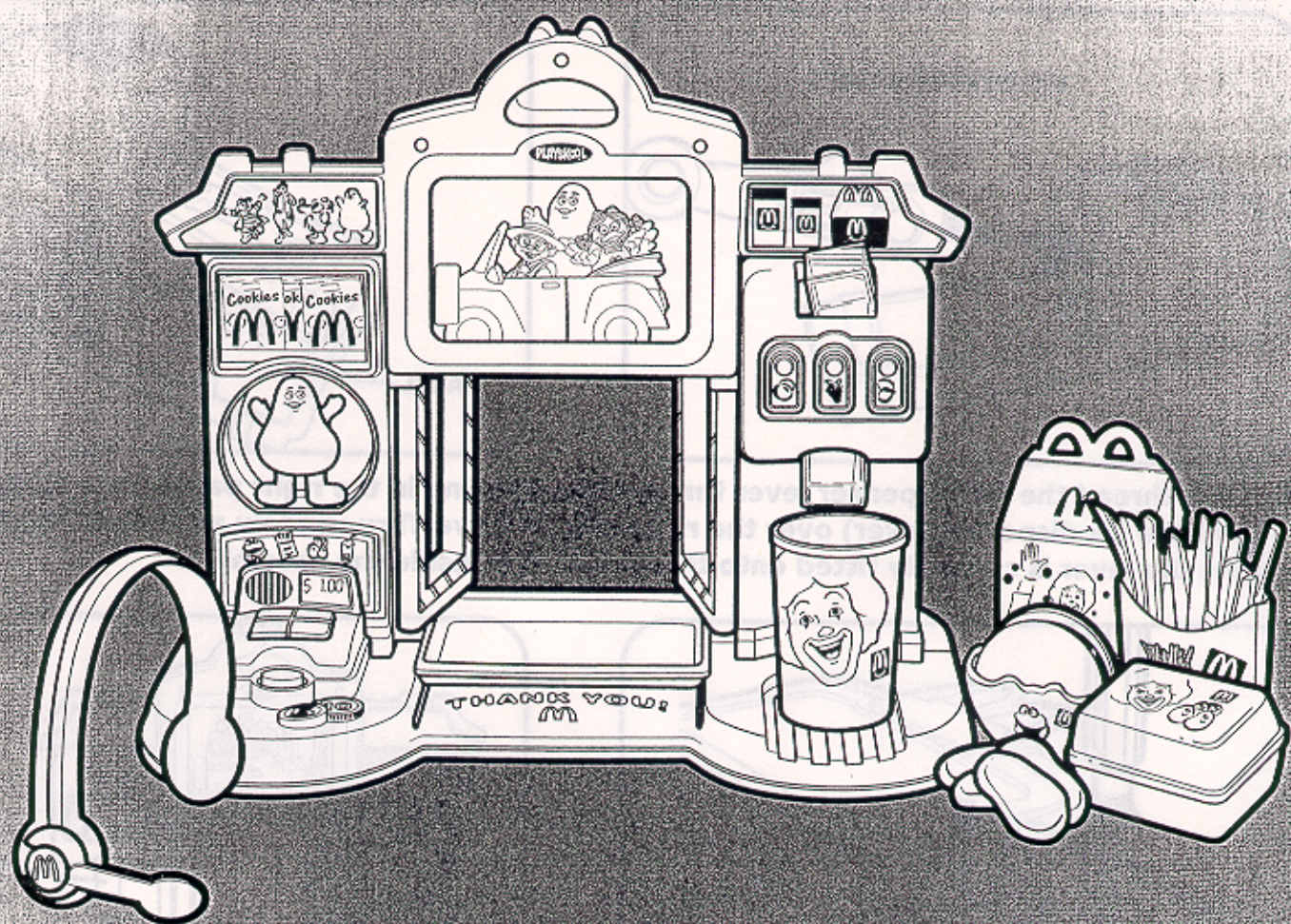
Thank you for buying this Playskool® product!

ADULT ASSEMBLY REQUIRED.

Requires 2 "AA" batteries (not included). Phillips screwdriver needed for assembly and battery placement.

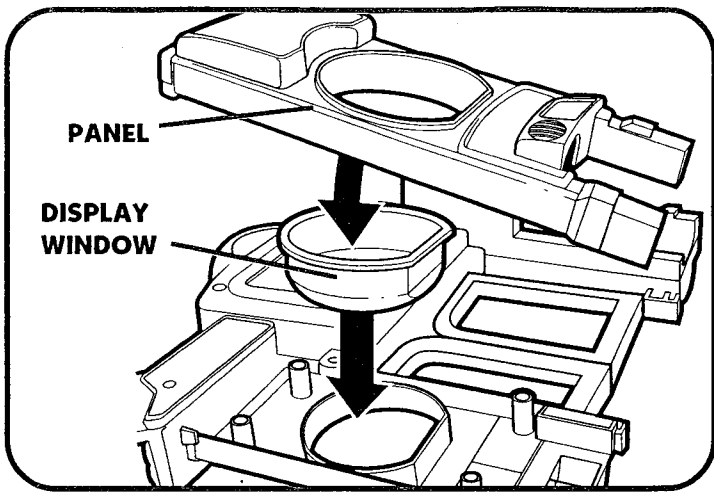
CAUTION: This product contains small parts (screws) that are necessary for assembly. Prior to and during assembly of this product, keep small parts out of children's reach. Small parts pose a choke hazard to children less than 3 years old.

CAUTION: Components to be assembled have sharp edges (or points). Keep the sharp edged components out of the reach of children until assembly is complete.

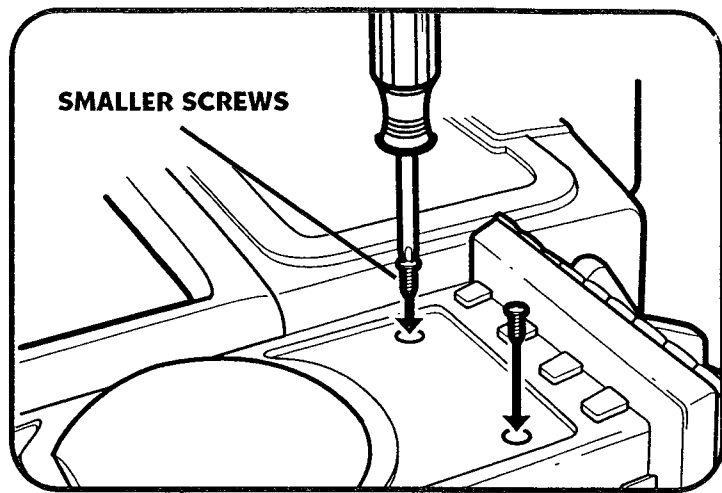


PLAYSKOOL®

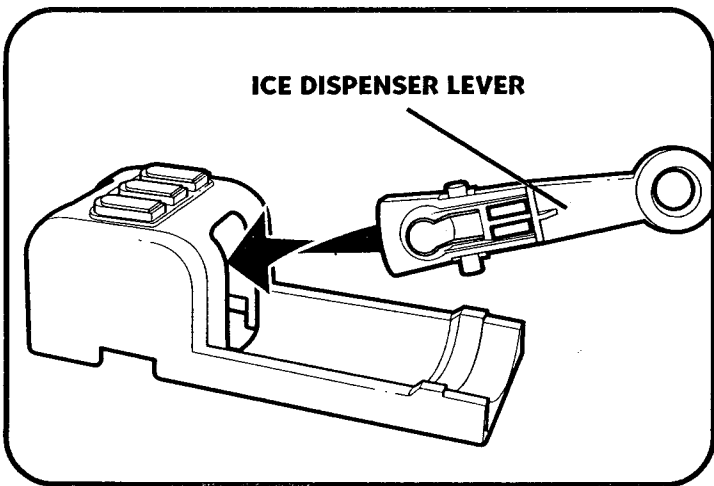




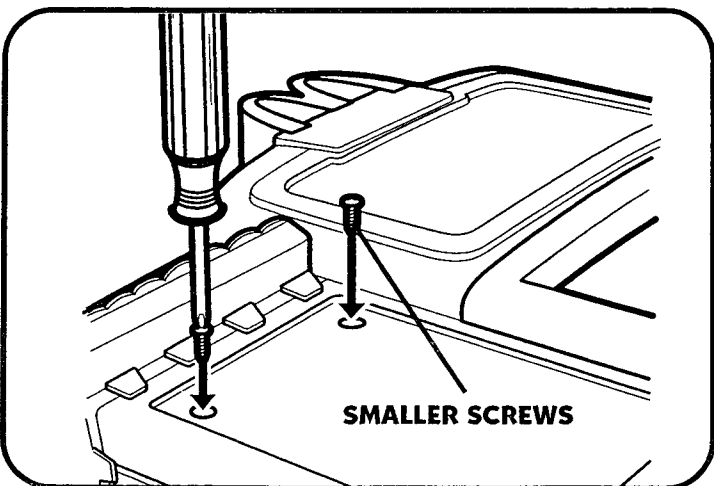
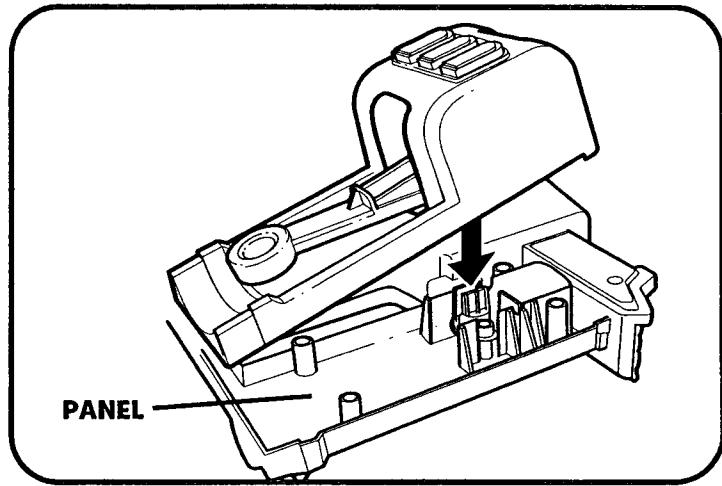
1. Complete the Drive-Thru window assembly before attaching it to the base. First, drop the clear display window into its slot to left of Drive-Thru window. Then, place the left panel over the display window as shown.



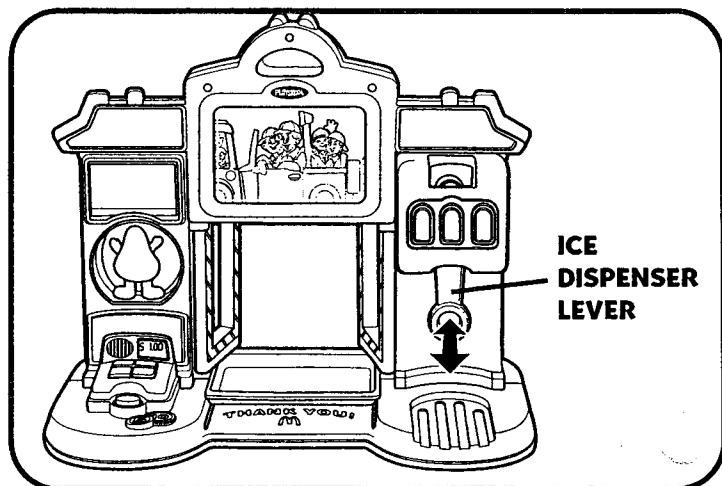
2. Flip the assembly over and secure the panel with 2 of the smaller screws included with this set.



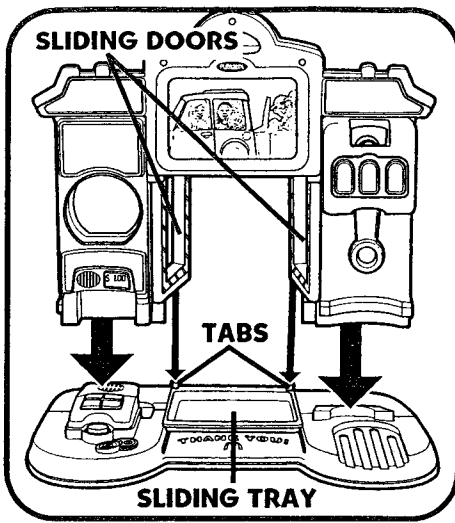
3. Next, thread the ice dispenser lever through the opening in the right panel, then fit the panel (and the ice dispenser lever) over the right side of Drive-Thru window as shown. Make sure that the lever is correctly fitted onto the mechanism inside the assembly.



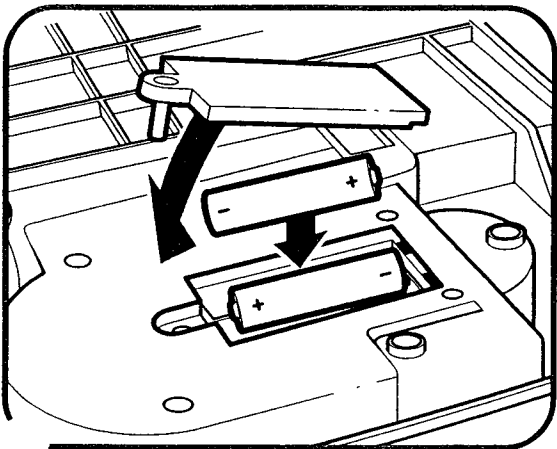
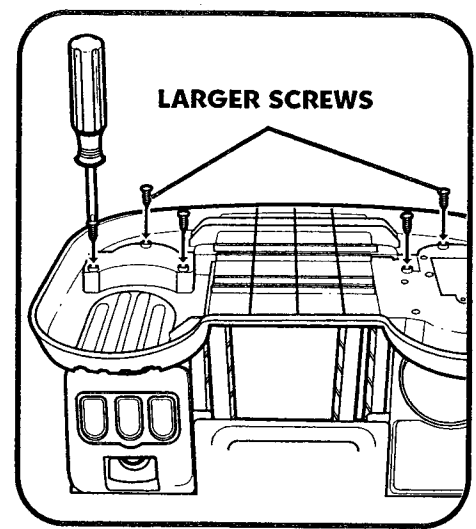
4. Flip the assembly over and secure the panel with 2 of the smaller screws. Turn assembly back over, and check the function of the ice dispenser. If properly assembled, the lever should "push in" and "snap back."



5. Now, place the completed Drive-Thru window assembly onto the base. Make sure that the sliding Drive-Thru window doors drop into the tabs on the sliding tray that is attached to the base.



6. Turn the total assembly upside down and secure it with 7 of the larger screws included with this set (3 by the ice dispenser; 4 by the cash register).



BATTERY PLACEMENT:

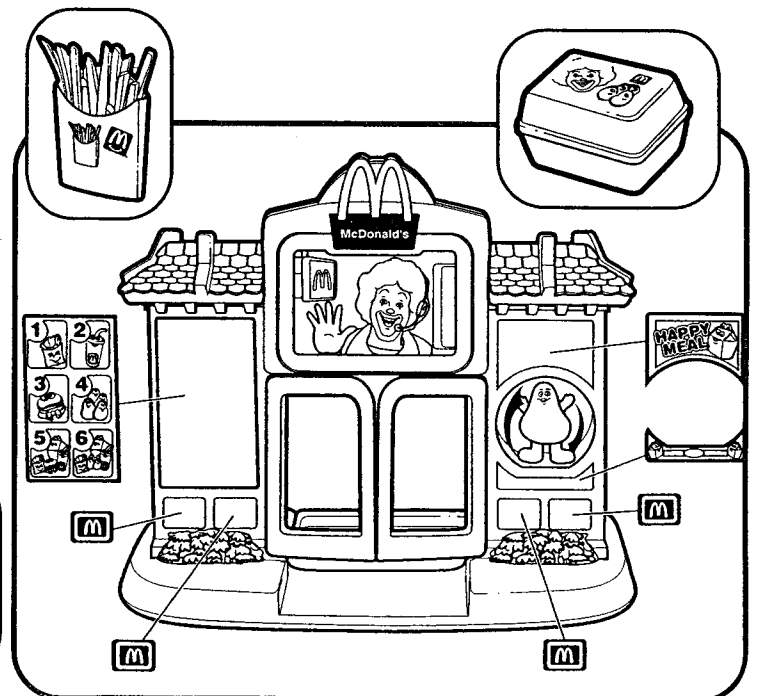
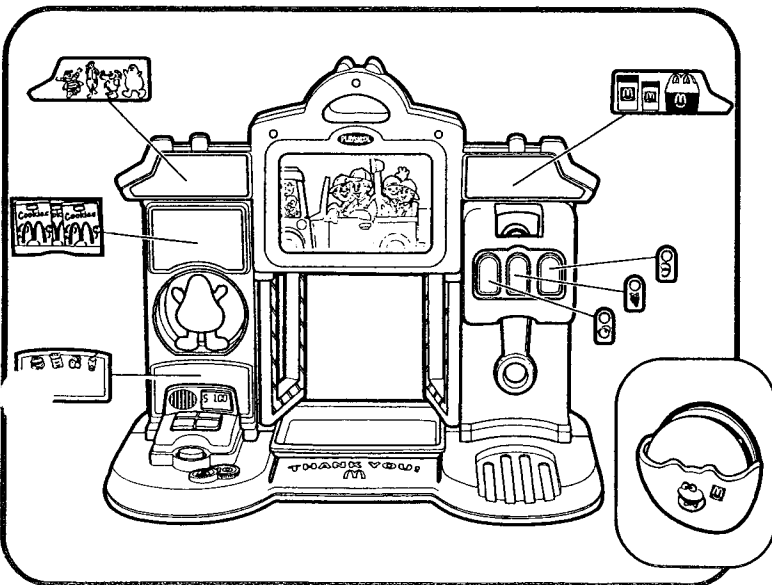
1. The Happy Meal Drive-Thru requires 2 "AA" batteries. The battery compartment is located on the bottom of the Drive-Thru base, beneath the cash register area.
2. Use a Phillips screwdriver to loosen the screw that secures the battery compartment door. Remove the door and insert 2 "AA" batteries as shown. Replace the door and re-fasten the screw with the screwdriver.

CAUTION: TO AVOID BATTERY LEAKAGE:

1. Be sure to insert the batteries correctly and always follow the toy and battery manufacturers' instructions.
2. Do not mix old and new batteries or alkaline, standard (carbon-zinc) or rechargeable (nickel-cadmium) batteries.
3. Always remove weak or dead batteries from the product.

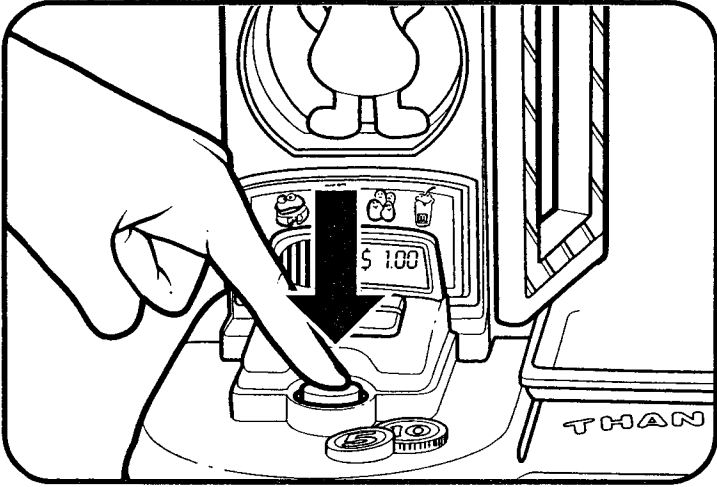
LABEL PLACEMENT:

Peel and apply adhesive labels as shown.

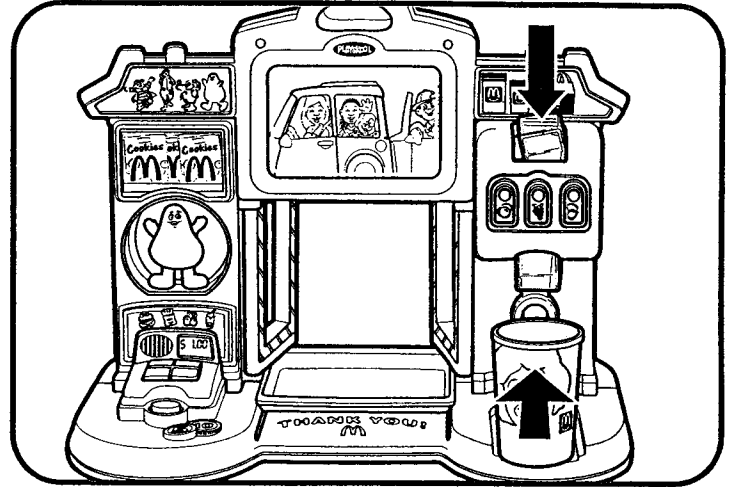


PLAY FEATURES:

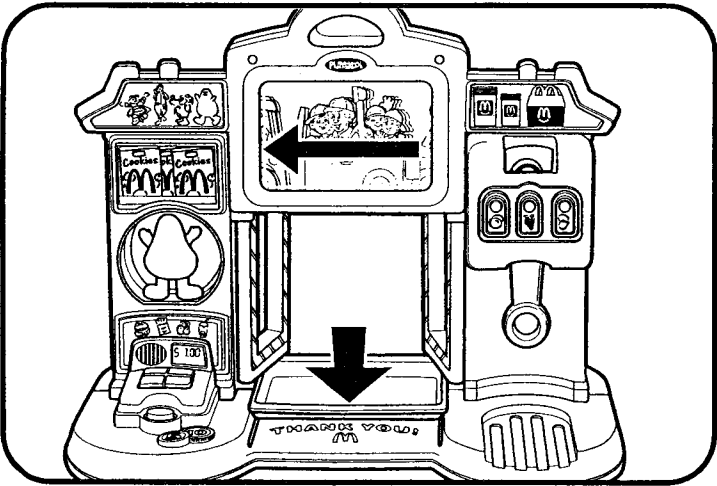
1. The McDonald's Happy Meal Drive-Thru is fun for one, two or lots of children. One child can put the headset on and be the McDonald's employee and the other child (or children) can be the customer(s). Everybody can take turns playing employee and customer!



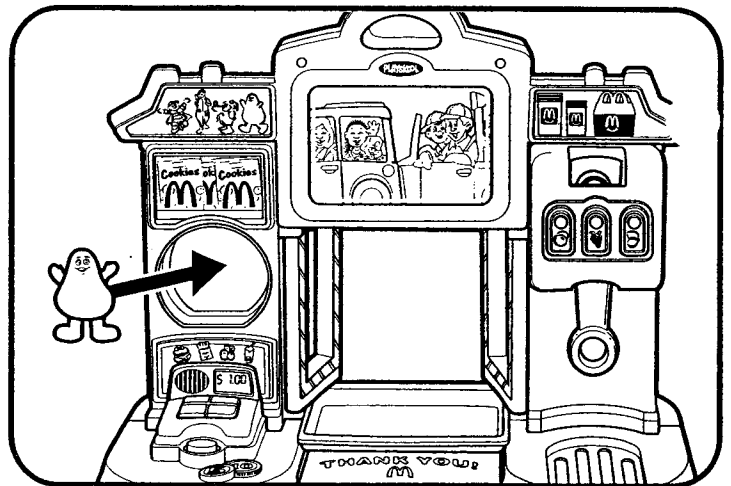
2. Press the button beneath the cash register for 19 interactive phrases. The cash register also features electronic sounds!



3. Drop the ice cubes into the top of the dispenser then push the lever in with the cup to dispense the ice!

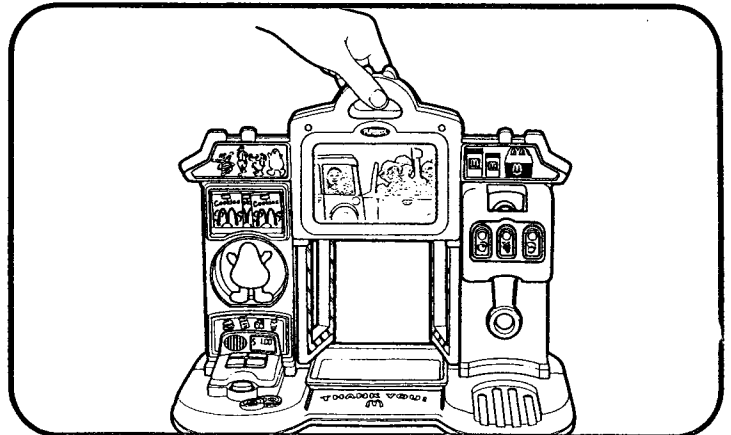


4. When you push each Happy Meal through the window on the sliding tray then pull the tray back, the picture of your customers on the pretend video screen changes as the next customer "drives up"!



5. The Happy Meal toy fits into the display window!

6. There's a convenient carry handle above the pretend video screen to take your McDonald's Happy Meal Drive-Thru anywhere!



McDonald's: © 2000 McDonald's Corporation. McDonald's, the Golden Arches logo, McNuggets, Happy Meal, the Ronald McDonald and McDonaldland character designs, and the Smiling Arches logo are trademarks of McDonald's Corporation and affiliates.

*©, TM & © 2000 Hasbro, Inc., Pawtucket, RI 02862 USA. All Rights Reserved.
© denotes Reg. U.S. Pat. & TM Office.

MADE IN CHINA.

P/N 4882770000

569