



Ages 3 & Up
66760 & 66761

MCDONALDLAND® Happy Meal® Girl DOLL

**TOY
 SURPRISE
 INSIDE!**



HASBRO

**Thank you for purchasing this Hasbro toy!
 Requires 2 "AAA" alkaline batteries (not included). Phillips
 screwdriver (not included) needed to insert batteries.**

Includes: doll with outfit, hair accessory, play cheeseburger and cheese
 burger wrapper, play french fries with container, pretend soft drink
 cup, Happy Meal® Box, toy surprise (either a My Little Pony® pony, 1 oz.
 container of PLAY-DOH® Brand Modeling Compound, or Littlest Pet Shop
 Zoo® Elephant), and instructions.

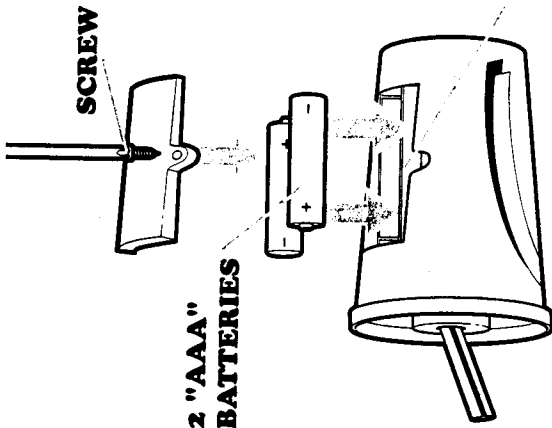
Value of each toy surprise is less than 25¢.

For PLAY-DOH®: NONTOXIC CONFORMS TO ASTM D-4236

TO INSERT BATTERIES INTO CUP:

1. Use a Phillips screwdriver (not included) to loosen screw in battery compartment door, and remove door.

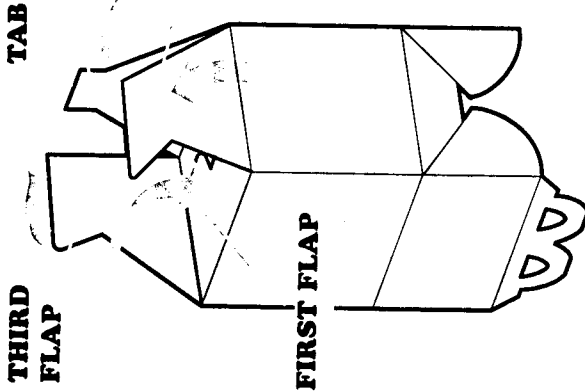
2. Insert 2 new "AAA" batteries as shown (batteries not included; alkaline recommended). Replace door and re-tighten screw with screwdriver.



CAUTION:

1. As with all small batteries, the batteries included with this toy should be kept away from small children who still put things in their mouths. If they are swallowed, promptly see a doctor and have the doctor phone (202) 625-3333 collect.
2. Make sure the batteries are inserted correctly and follow the toy and battery manufacturers' instructions.
3. Do not mix old and new batteries.
4. Do not mix alkaline, standard (carbon-zinc) or rechargeable (nickel-cadmium) batteries.

TO ASSEMBLE HAPPY MEAL BOX



FOURTH FLAP

SECOND FLAP

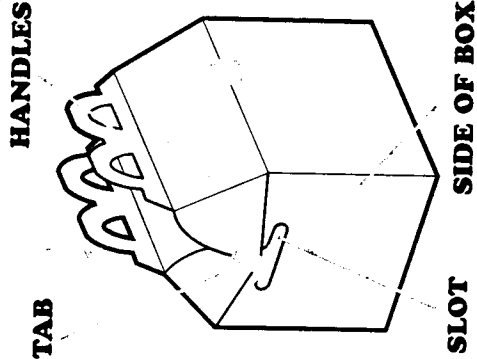
BOTTOM:

1. Unfold box.
2. Fold first flap in.
3. Fold second and third flaps in.
4. Fold fourth flap in, pushing tab in until it goes under the other flaps.

TOP:

1. On two sides of box, push tabs in to create slot.
2. On one side, grasp area directly above slot and pull it out and down. Repeat for other side of box.
3. Press handles toward each other to create folds in box.
4. Tuck flap on one side of box into slot. Repeat for other side.

NOTE: You may have to crease all the folds to make the box stay closed.



HANDLES

TAB

SIDE OF BOX

SLOT

PLAY FEATURES:

Get your doll's Happy Meal® ready! Place the cheeseburger, french fries and toy surprise inside the Happy Meal® Box.

Give her a drink! Press the straw against the doll's mouth to make slurping, bubbling and burping sounds come out of the cup.

Remove the cheeseburger from the wrapper. "Feed" your doll the end of the cheeseburger that was in the wrapper. When you place the end against the doll's mouth, a bite disappears! To make the bite reappear, insert the cheeseburger into the wrapper, with the bite end in first and aligning the slots in the cheeseburger with the ridges inside the wrapper.

Have fun playing the games found on the Happy Meal® Box! Using a crayon from home, try all 4 activities: Letter Dot to Dot Game, Find the Happy Meal® Guys maze, Color the Balloons, and Find Ten McNugget Buddies® (see bottom of box).

FCC STATEMENT:

This equipment has been tested and found to comply with the limits for a Class B digital device, pursuant to part 15 of the FCC Rules. These limits are designed to provide reasonable protection against harmful interference in a residential installation. This equipment generates, uses and can radiate radio frequency energy, and, if not installed and used in accordance with the instructions, may cause harmful interference to radio communications. However, there is no guarantee that interference will not occur in a particular installation. If this equipment does cause harmful interference to radio or television reception, which can be determined by turning the equipment off and on, the user is encouraged to try to correct the interference by one or more of the following measures:

- Reorient or relocate the receiving antenna.
- Increase the separation between the equipment and the receiver.
- Consult the dealer or an experienced radio/TV technician for help.

Changes or modifications not expressly approved by the party responsible for compliance could void the user's authority to operate the equipment.

Product and colors may vary.

© 1997 McDonald's Corporation. McDonald's, the Golden Arches logo, McDonaldland, Happy Meal, and Ronald McDonald are trademarks of McDonald's Corporation and affiliates.

PLAY-DOH®, MY LITTLE PONY® and LITTLEST PET SHOP ZOO® are registered trademarks of Hasbro, Inc.

© 1997 Hasbro, Inc. Pawtucket, RI 02862 USA. All Rights Reserved.
® denotes Reg. U.S. & Pat. TM Office.

MADE IN CHINA.

P/N 54596600