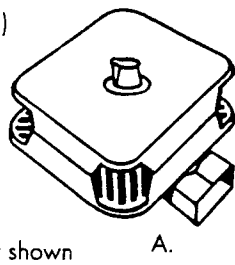


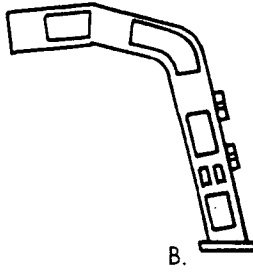
MegaSpirograph™ Design Toy Parts List

14300

- A. MAIN BODY WITH SPRING HOUSING (1)
- B. LEGS (4)
- C. PEN HOLDERS (2)
- D. SHAFT (1)
- E. CRANK (1)
- F. SLIDER BEAM (1)
- G. GEARS (8)
- H. PENS (2)
- I. PAPER (20 sheets) Not shown



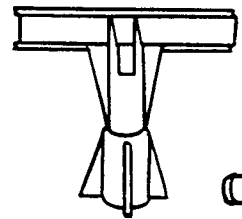
A.



B.



C.



F.



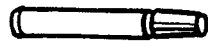
D.



G.



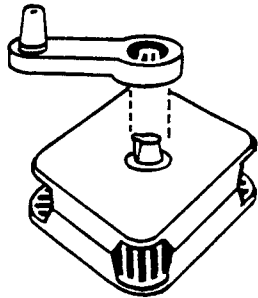
E.



H.

Assembling Your MegaSpirograph™ Design Toy

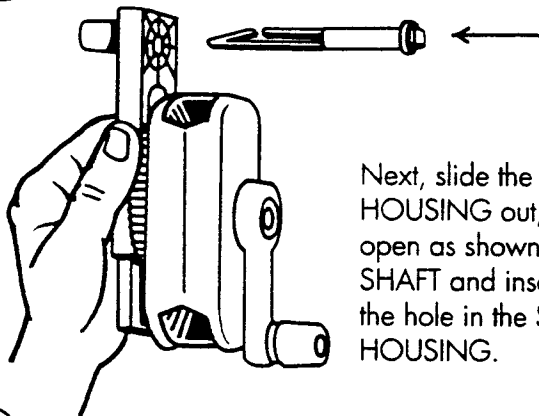
1



Turn the MAIN BODY right side up and snap the CRANK into place, aligning the tab on the MAIN BODY with the slot on the CRANK hole.

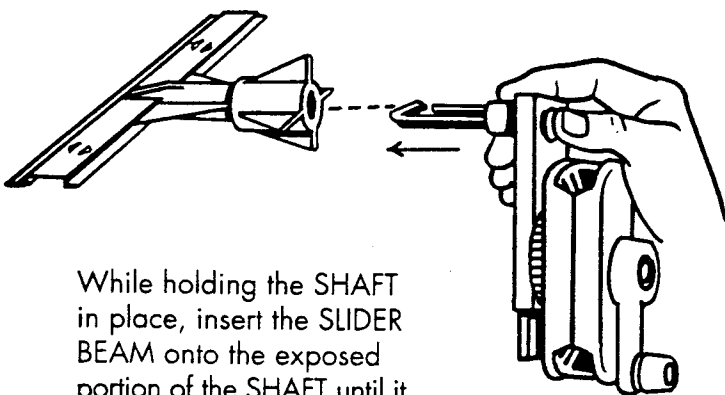


2



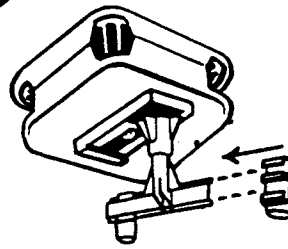
Next, slide the SPRING HOUSING out, holding it open as shown. Take the SHAFT and insert it through the hole in the SPRING HOUSING.

3



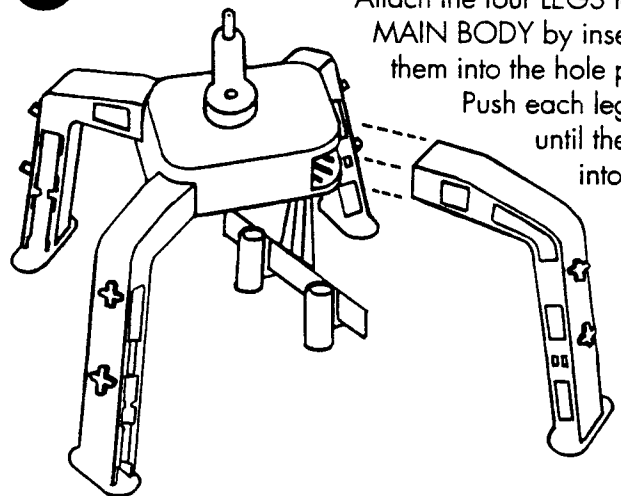
While holding the SHAFT in place, insert the SLIDER BEAM onto the exposed portion of the SHAFT until it snaps firmly into place.

4



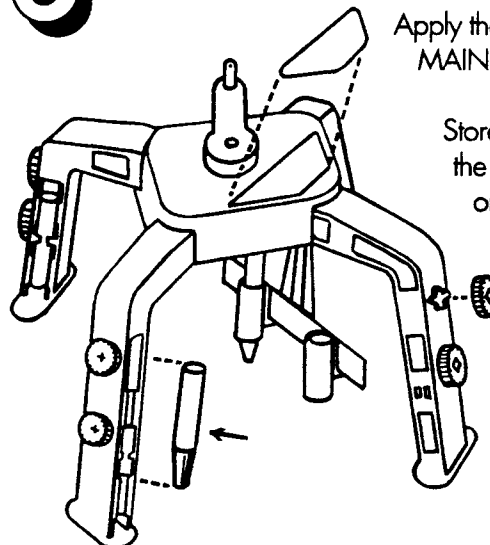
Slide the two PEN HOLDERS onto the SLIDER BEAM, one onto each side, as shown.

5



Attach the four LEGS to the MAIN BODY by inserting them into the hole provided. Push each leg firmly until they lock into place.

6



Apply the LABEL to the top of MAIN BODY as shown.

Store the eight GEARS on the storing pegs located on each LEG.

PENS can be easily stored (tip down) in the PEN STORAGE AREAS located on the inside of each LEG.

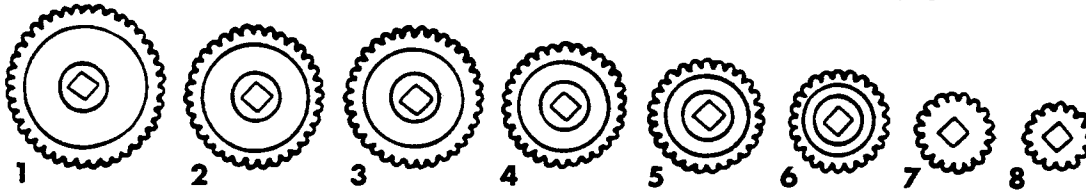
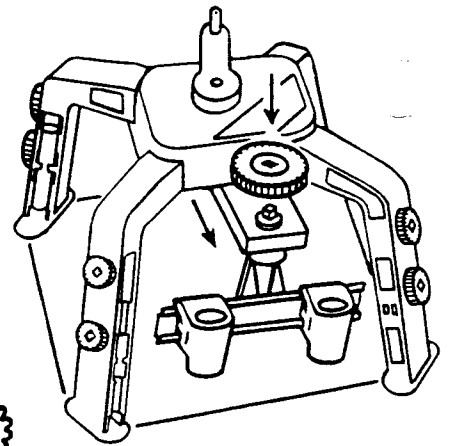


How to draw with your MegaSpirograph™ Design Toy.

Start by loading a GEAR into the SPRING HOUSING. This is done by pulling the SPRING HOUSING open as shown at right and inserting a gear of your choice onto the top of the SHAFT. Be sure that the gear is sitting evenly before allowing the SPRING HOUSING to close.

Place a sheet of paper under the toy and position the PEN HOLDERS in the desired position. Insert the open pens into the PEN HOLDERS pointing down and turn the crank to create a beautiful design.

When the design is completed, lift the pens out of the holders before moving your toy or changing gears. Changing the GEARS or moving the PEN HOLDERS on the SLIDER BAR changes the design.



MegaSpirograph™ Design Suggestions

Position of Pen Holders on Slider Bar	GEAR 1	GEAR 4	GEAR 8

For longer designs

To make a design variation find your own sheet of longer paper and try the following. Position the paper so you can move it or your design toy while you are making your design. As you turn the crank and complete a design, slowly move the paper while you continue to turn the crank. You can go on repeating the design until you run out of paper. This method may take some practice.

NOTE: When two different colored pens are used the created design will be in two colors.

