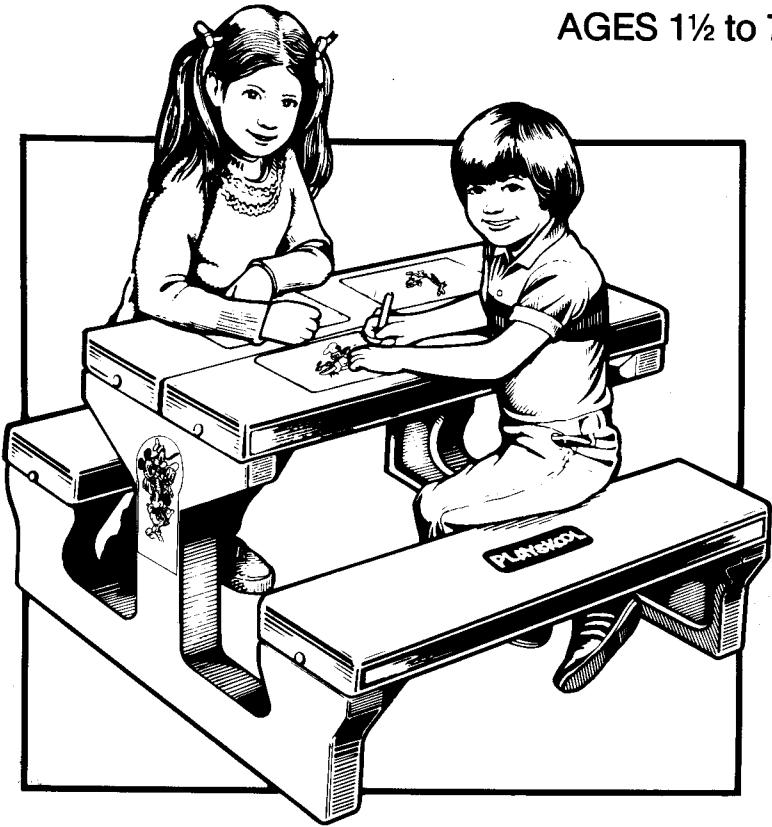


Mickey and Friends TABLE

ASSEMBLY INSTRUCTIONS

AGES 1½ to 7



Model No. 52015

PLAYSKOOL

PLEASE NOTE:
ADULT ASSEMBLY REQUIRED.
READ INSTRUCTIONS PRIOR TO ASSEMBLY.

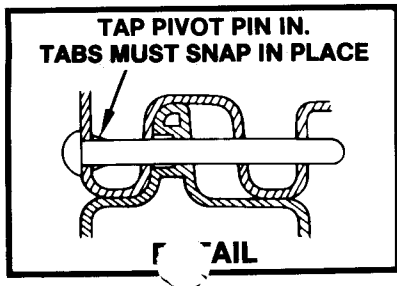
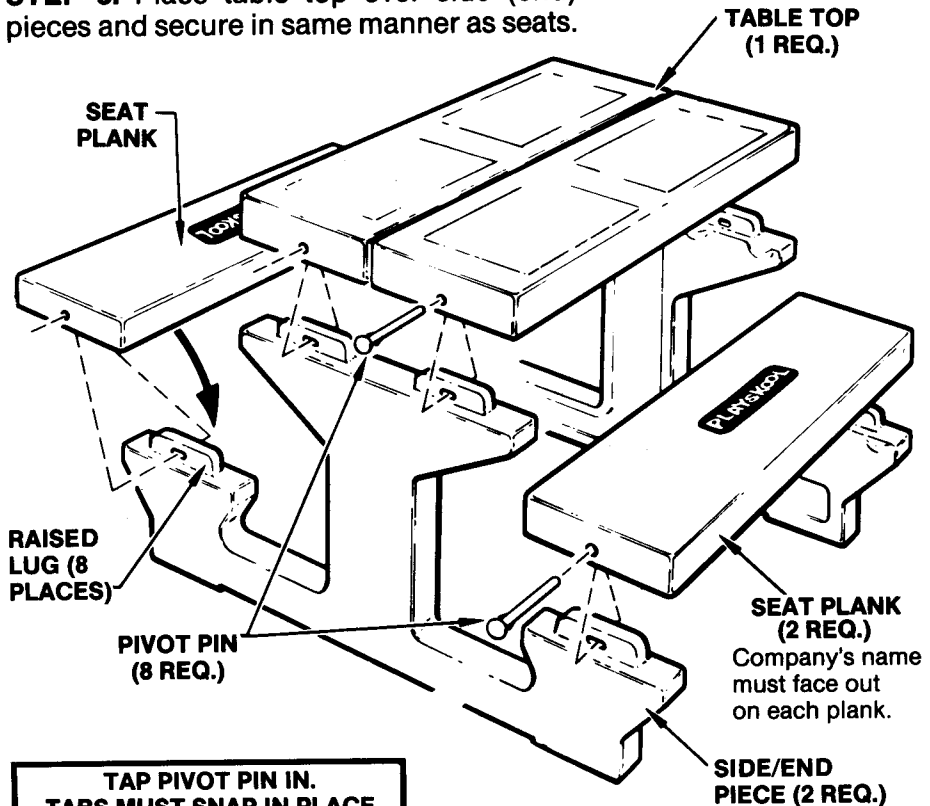
ASSEMBLY INSTRUCTIONS

TOOL REQUIRED: HAMMER

STEP 1: Place seats on raised lugs of side (end) pieces. The lugs are designed to mate into a corresponding recess in the underside of the seats for a tight fit. **Make sure the company's name faces out on each seat.**

STEP 2: Press down firmly on end of seat and insert pivot pin into end hole. **Maintain downward pressure** on seat and tap pivot pin completely through seat and side (end) piece. Attach pins at each end of both seats.

STEP 3: Place table top over side (end) pieces and secure in same manner as seats.

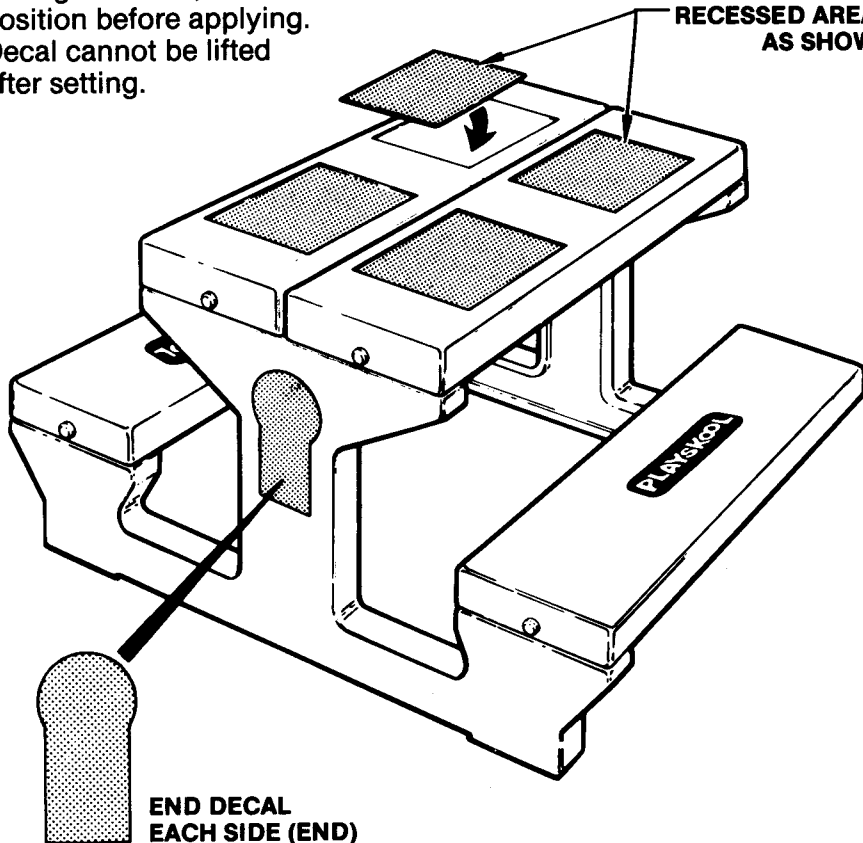


STEP 4: Thoroughly wipe decal areas with a clean, dry cloth. Remove decals one at a time and apply to the positions shown. Be sure place mat decals are applied facing sitter.

Rub down completely only when correctly positioned. **See Illustration.**

IMPORTANT: Decals have quick-setting adhesive; be sure of position before applying. Decal cannot be lifted after setting.

PLACE THE 4 DECORATIVE MATS INTO THE RECESSED AREAS AS SHOWN



NOTE TO ADULTS

THIS TABLE SHOULD NOT BE USED FOR ANYTHING OTHER THAN ITS INTENDED PURPOSE. DO NOT STAND ON TABLE OR USE TO STORE HEAVY OBJECTS. PERIODICALLY CHECK PIVOT PINS TO BE SURE THEY ARE SECURE. PROMPTLY REPLACE ANY DAMAGED PARTS.

PLEASE RETAIN THIS GUIDE AND
ALL LITERATURE
FOR FUTURE REFERENCE.

PLEASE NOTE:

Playskool Customer Service
is as close as your telephone.

If you have any difficulty
with this product,
please call:

1-800-237-0063

Mon.-Fri. 8:30 a.m. to 4:30 p.m.

©The Walt Disney Company

Model No. 52015
P/N 40324800

MICKEY and FRIENDS TABLE PARTS ORDER FORM

PART NUMBER	DESCRIPTION	QTY.	UNIT PRICE
40324700	PLACEMAT SHEET	1	\$3.65
40325000	HARDWARE BAG	1	\$1.25



©1988 Playskool, Inc., Pawtucket, RI 02862 USA,
a subsidiary of Hasbro, Inc. All Rights Reserved.
Made and Printed in U.S.A.

