

# MIGHTY MINI-CYCLE<sup>®</sup>

Ages 1½ - 3½

## INSTRUCTIONS

TOOLS REQUIRED (NOT INCLUDED): Hammer, regular Screwdriver, Phillips Screwdriver.

### PARTS IN POLYBAG:

- (1) HEADLIGHT
- (1) FRONT FENDER
- (1) HORN
- (2) SPACERS
- (2) CAPNUT TOOLS
- \* (1) HEADED PIN (¼" bolt may be used in place of pin)
- \* (2) CAPNUTS (5/16")
- \* (1) LONGER SCREW (No. 6 x 3/8" self-tapping screw)
- \* (1) SHORT SCREW (No. 8-32 x 1/4" machine screw)

### LOOSE PARTS:

- (1) BODY ASSEMBLY
- (2) REAR WHEELS
- (1) FRONT END ASSEMBLY
- (1) REAR AXLE

\*Designates parts that can be purchased at most hardware stores as replacement parts. Ask for these parts as listed in the (parentheses).

PLEASE RETAIN THIS GUIDE AND ALL LITERATURE FOR FUTURE REFERENCE.  
**IMPORTANT NOTICE: PARENTS PLEASE MAKE PERIODIC INSPECTIONS OF VEHICLE HARDWARE TO ENSURE THAT IT IS SECURE.**

**PLEASE NOTE:** If you have any questions or comments concerning this product, call our Playskool Customer Service hotline 1-800-237-0063 Monday through Friday, 8:30 am to 4:30 pm. Eastern Standard Time. In Rhode Island, call: 431-8697

All written inquiries should be mailed to:  
 Playskool Consumer Services Division  
 P.O. Box 5839, Pawtucket, Rhode Island 02862  
 This will provide quick and reliable service for your product.  
 Do not request same from your dealer.

**PLEASE NOTE: ADULT ASSEMBLY REQUIRED. READ INSTRUCTIONS PRIOR TO ASSEMBLY.**

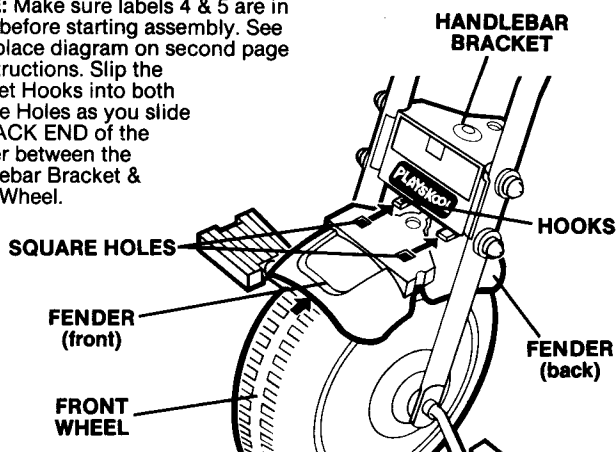
### WARNING:

**ADULT SUPERVISION AND INSTRUCTION REQUIRED REGARDING THE PROPER USE OF THIS TOY. THIS RIDE-ON TOY SHOULD NOT BE USED NEAR SWIMMING POOLS, ON OR NEAR HILLS, ROADWAYS, SLOPED DRIVEWAYS, ALLEYS OR STEPS. SHOES MUST BE WORN AT ALL TIMES. ONLY ONE RIDER AT A TIME. DO NOT RIDE AFTER DARK. DO NOT CARRY ANYTHING THAT IMPAIRS VISION. DO NOT LEAVE CHILD UNATTENDED.**

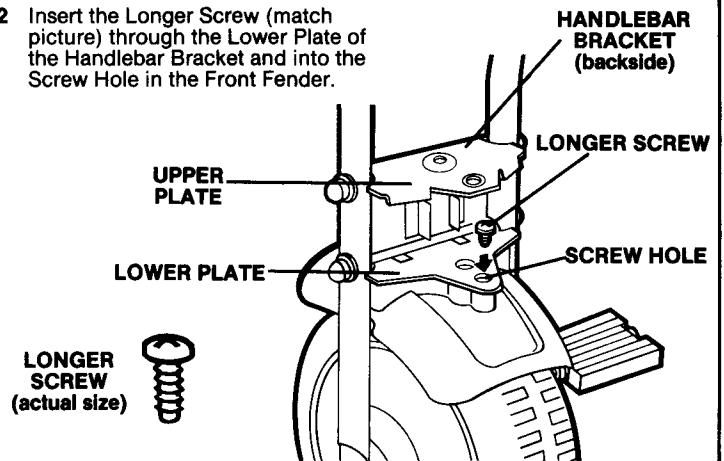
### BE SAFE

- DO NOT RIDE POWER CYCLE AFTER DARK.
- DO NOT CARRY ANYTHING THAT WILL IMPAIR VISION.
- DO NOT RIDE DOUBLE ON YOUR POWER CYCLE.

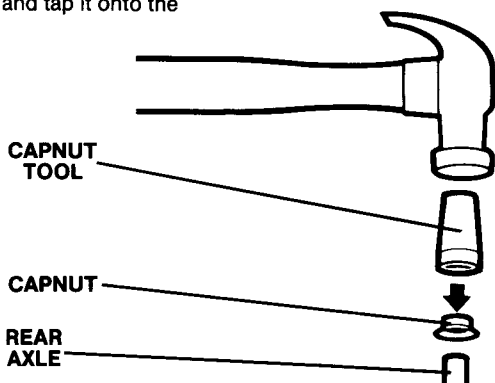
- 1 **NOTE:** Make sure labels 4 & 5 are in place before starting assembly. See label place diagram on second page of instructions. Slip the Bracket Hooks into both Square Holes as you slide the BACK END of the Fender between the Handlebar Bracket & Front Wheel.



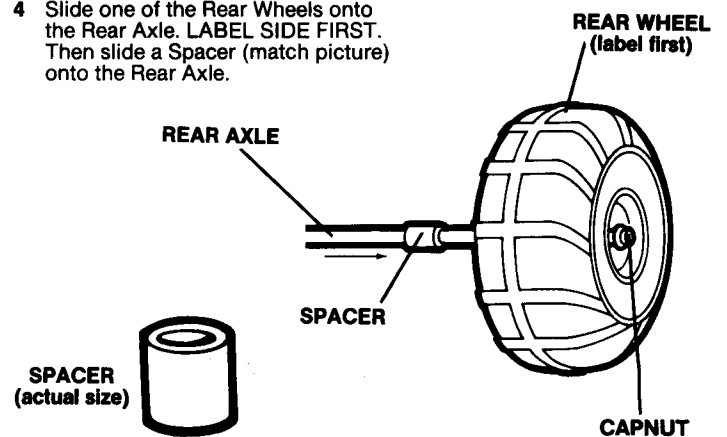
- 2 Insert the Longer Screw (match picture) through the Lower Plate of the Handlebar Bracket and into the Screw Hole in the Front Fender.



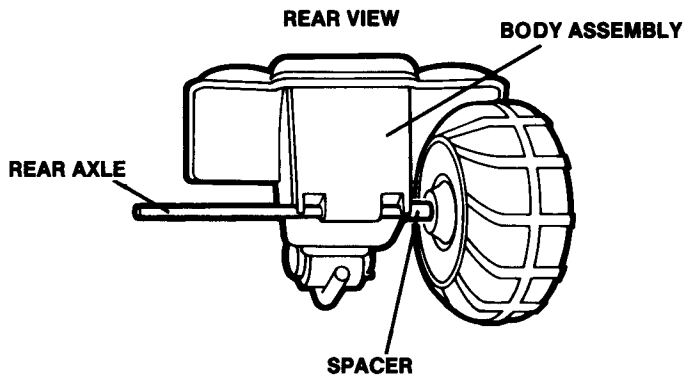
- 3 Place Capnut (see picture) on one end of the Rear Axle. Then place Capnut Tool (see picture) over the Capnut and tap it onto the Rear Axle.



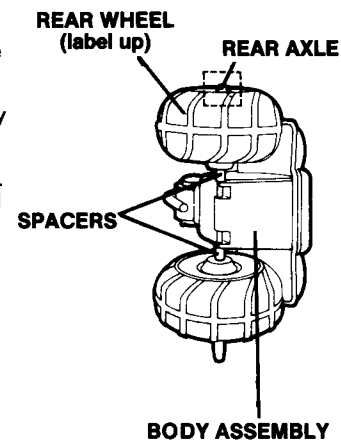
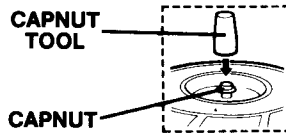
- 4 Slide one of the Rear Wheels onto the Rear Axle. LABEL SIDE FIRST. Then slide a Spacer (match picture) onto the Rear Axle.



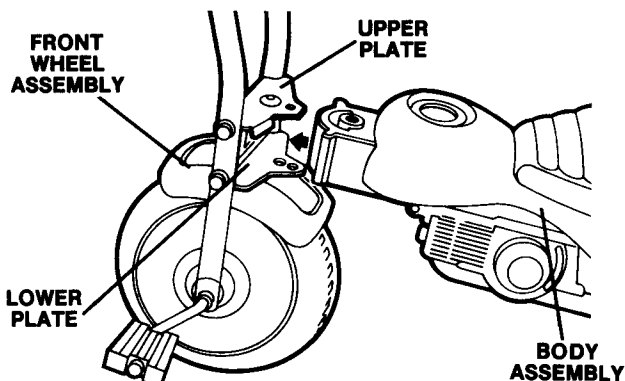
- 5 Slide the Rear Axle all the way through the Body Assembly as shown.



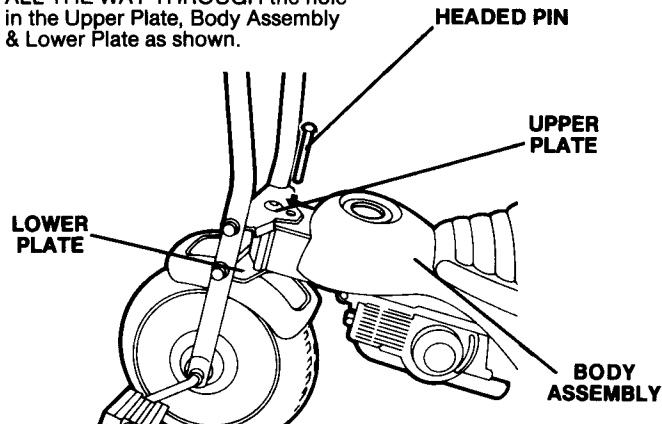
- 6 A. Slip a Spacer (see picture step 4) onto the axle.  
 B. Slide other Rear Wheel onto the axle LABEL SIDE UP.  
 C. Place a Capnut Tool (see picture) over the Capnut already in place. Hold it in place as you tilt the whole body assembly so that it rests on this Capnut Tool.  
 D. Place a Capnut on the upturned end of the axle. Then, place a Capnut Tool on top of it.  
 E. Tap the Capnut onto the upturned end of the axle.



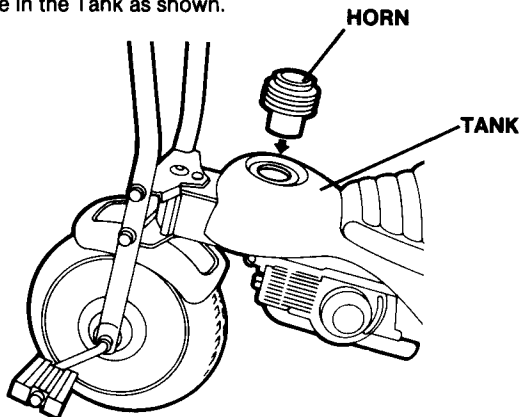
- 7 Slip Body Assembly between Upper and Lower Plates of the Front Wheel Assembly.



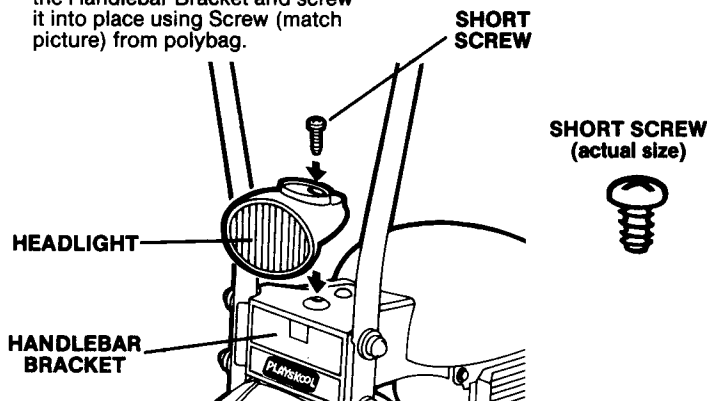
- 8 Drop the Headed Pin (see picture) ALL THE WAY THROUGH the hole in the Upper Plate, Body Assembly & Lower Plate as shown.



- 9 Push Horn ALL THE WAY down into the hole in the Tank as shown.



10. Position Headlight (see picture) between the handlebars on top of the Handlebar Bracket and screw it into place using Screw (match picture) from polybag.



**LABEL APPLICATION:**

Match the numbers on the label sheet with the numbers shown. Peel and place the labels where indicated.

**NOTE:** Make sure labels 4 & 5 are in place before starting assembly.

