



# MIGHTY MINI POWERIDE®

Ages 2-3½

## ASSEMBLY INSTRUCTIONS

**PLEASE NOTE:** ADULT ASSEMBLY REQUIRED. READ ENTIRE MANUAL PRIOR TO ASSEMBLY AND SAVE FOR FUTURE REFERENCE.

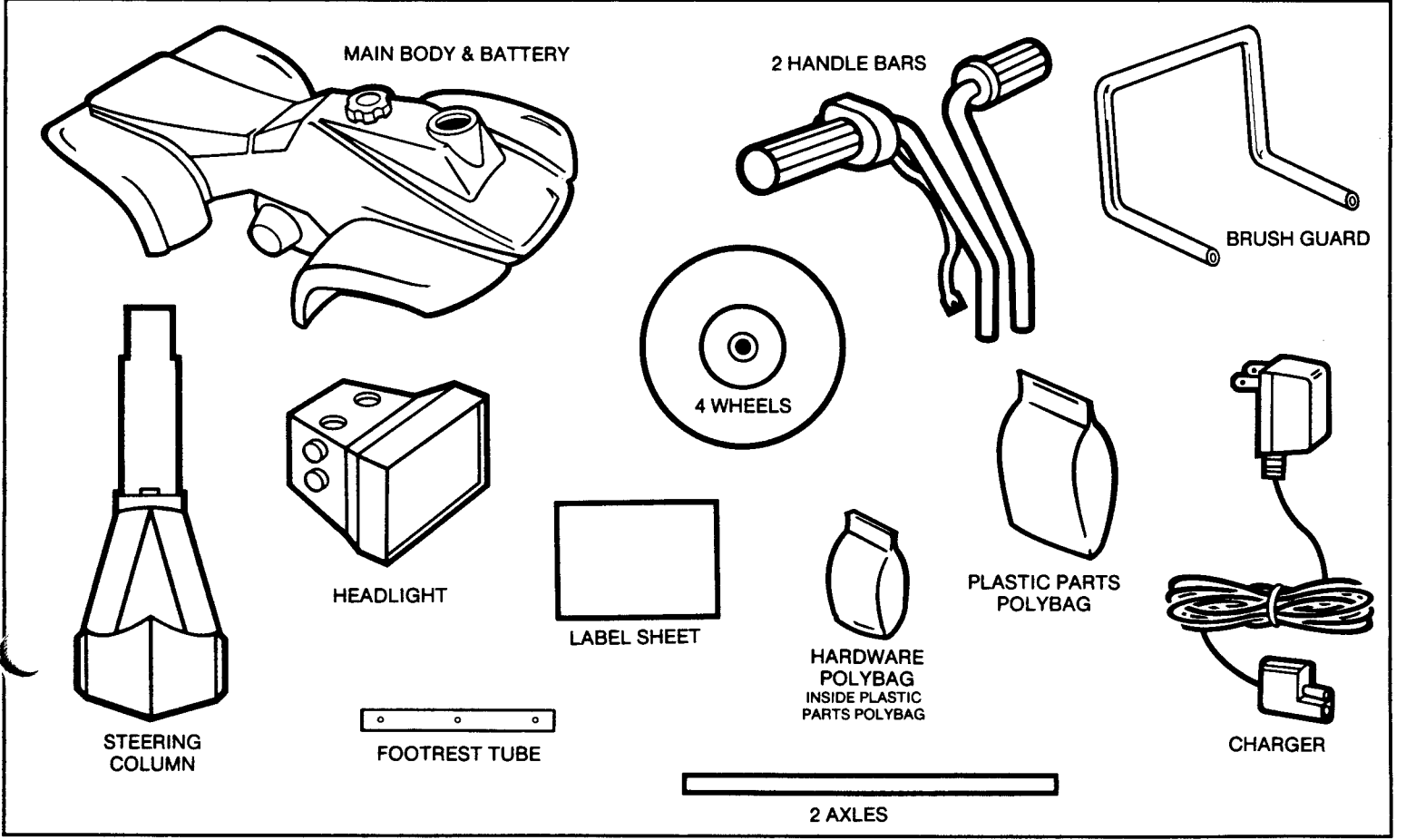
**WARNING:** ADULT SUPERVISION AND INSTRUCTION REQUIRED REGARDING THE PROPER USE OF THIS TOY. THIS RIDE-ON TOY SHOULD NOT BE USED NEAR SWIMMING POOLS, ON OR NEAR HILLS, ROADWAYS, SLOPED DRIVEWAYS, ALLEYS OR STEPS. SHOES MUST BE WORN AT ALL TIMES. ONLY ONE RIDER AT AT TIME. DO NOT RIDE AFTER DARK. DO NOT CARRY ANYTHING THAT IMPAIRS VISION.

**CAUTION . . . ELECTRIC TOY**  
NOT RECOMMENDED FOR CHILDREN UNDER 2 YEARS OF AGE. AS WITH ALL ELECTRIC PRODUCTS, PRECAUTION SHOULD BE OBSERVED DURING HANDLING AND USE TO PREVENT ELECTRIC SHOCK.

**FIRST AID INSTRUCTIONS**  
**CAUTION:** BATTERIES CONTAIN CORROSIVE FLUIDS AND TOXIC MATERIALS. THEY SHOULD BE HANDLED WITH CARE. DO NOT MUTILATE, PUNCTURE, DISASSEMBLE OR INCINERATE BATTERY. IF THE BATTERY CASE CRACKS OR BREAKS OPEN, DO NOT TOUCH THE GEL UNDER ANY CIRCUMSTANCES. IF THE GEL DOES COME IN CONTACT WITH SKIN OR CLOTHING, FOLLOW THESE FIRST AID INSTRUCTIONS FOR SULFURIC ACID:

**EXTERNAL CONTACT:** IMMEDIATELY FLUSH SKIN OR EYES WITH WATER FOR AT LEAST 15 MINUTES. CALL PHYSICIAN.  
**INTERNAL CONTACT:** GIVE TAP WATER, MILK OF MAGNESIA OR EGG WHITES. DO NOT INDUCE VOMITING. CALL PHYSICIAN.

## LOOSE PARTS:



**TOOLS REQUIRED (not included)** Hammer, Phillips head screwdriver.

**PLASTIC PARTS:**

Inspect the contents of the Plastic Parts Bag, comparing them to this list. (Some are illustrated in the Contents section.)

**Plastic Parts Polybag:**

- 2 Capnut Tools
- 1 Axle Spacer
- 1 Drive Ring
- 1 Cable Tie
- 2 Footrest Pivots
- 2 Brush Guard Plugs
- 2 Footrest Pegs
- 4 Hubcaps

**HARDWARE:**

The Hardware Bag is packed inside the Plastic Parts Bag. Inspect the hardware, comparing it to the list below. (The standard descriptions in parentheses allow you to replace lost hardware at most hardware stores. You can also order parts directly from us, using the Replacement Parts Order Form in this manual.)

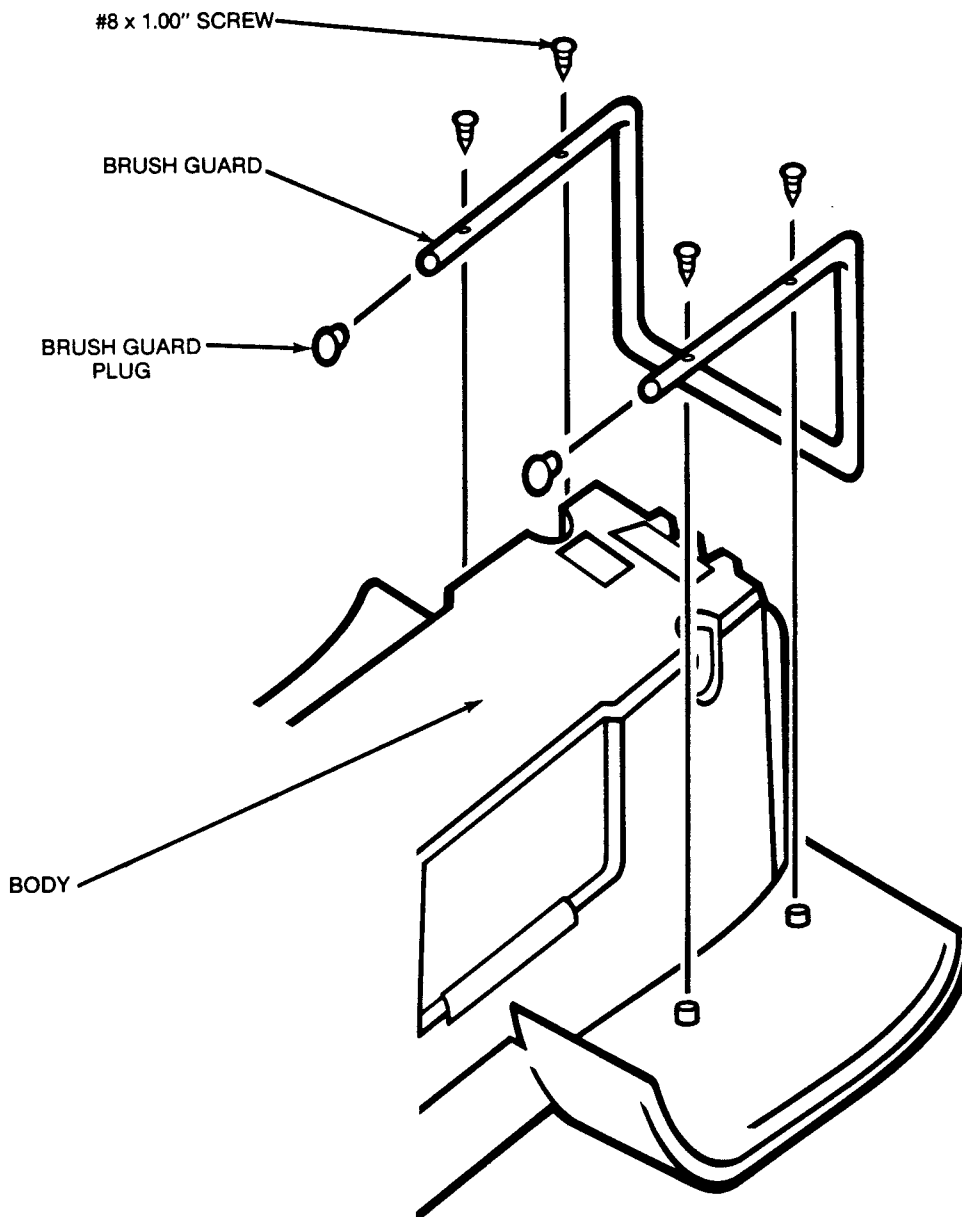
- 4 Capnuts
- \*2 Acorn Nuts
- \*2 10.24 x 2½" Machine Screws
- 2 Pushnuts
- \*3 #8 x 2½" Screws
- \*4 #8 x 1.00" Screws

\*Available at hardware stores.

## BRUSH GUARD ASSEMBLY

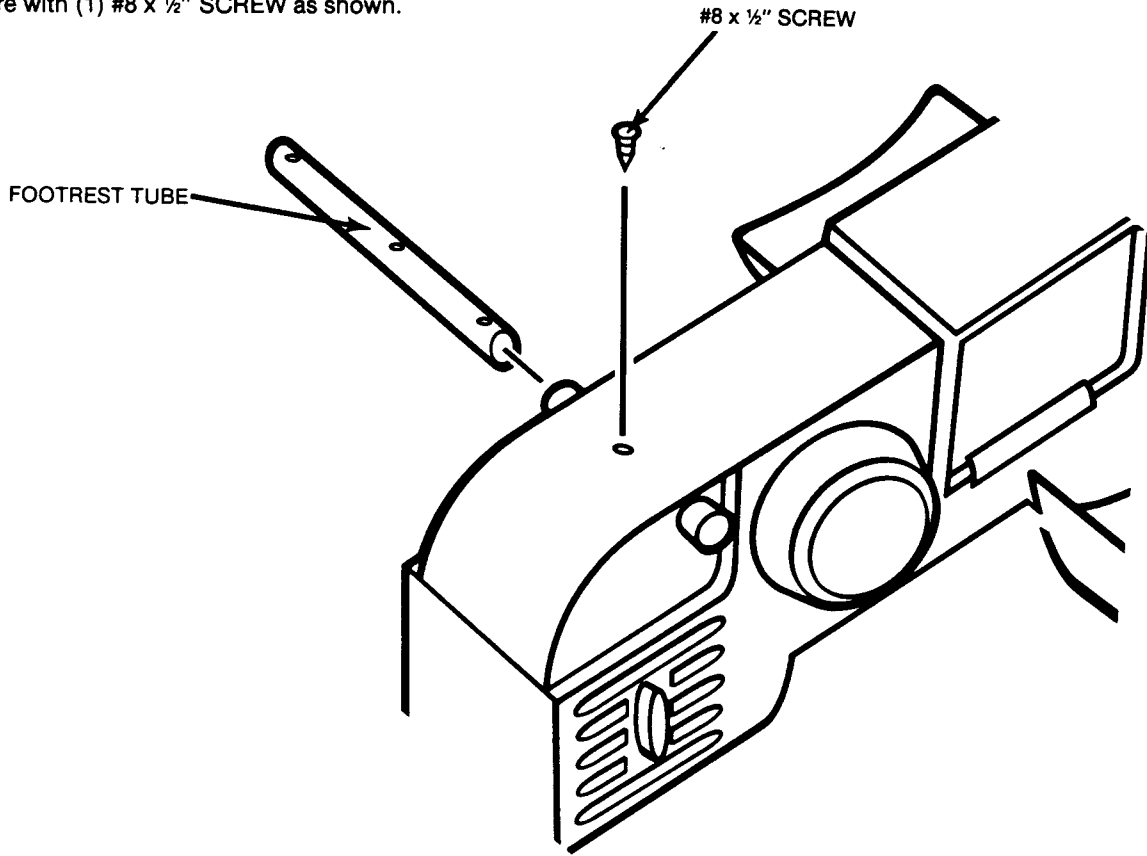
**1. A.** Turn body upside down. Press BRUSH GUARD PLUGS into open ends of BRUSH GUARDS.

**B.** Mount BRUSH GUARD as shown using (4) #8 x 1.00" LONG SCREWS.

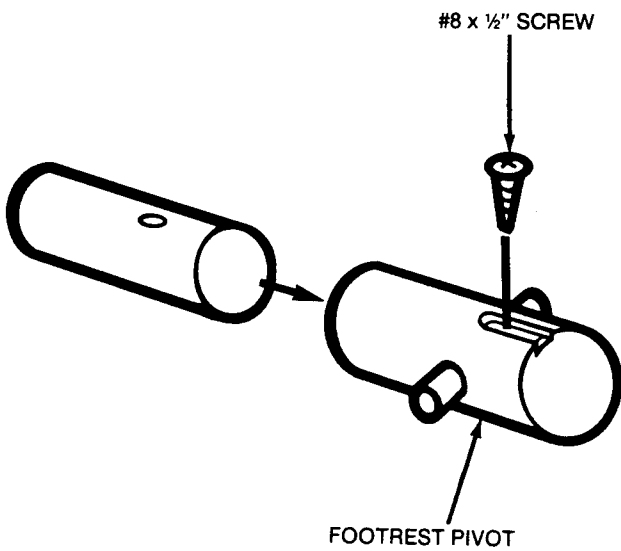


# FOOTREST PEG ASSEMBLY

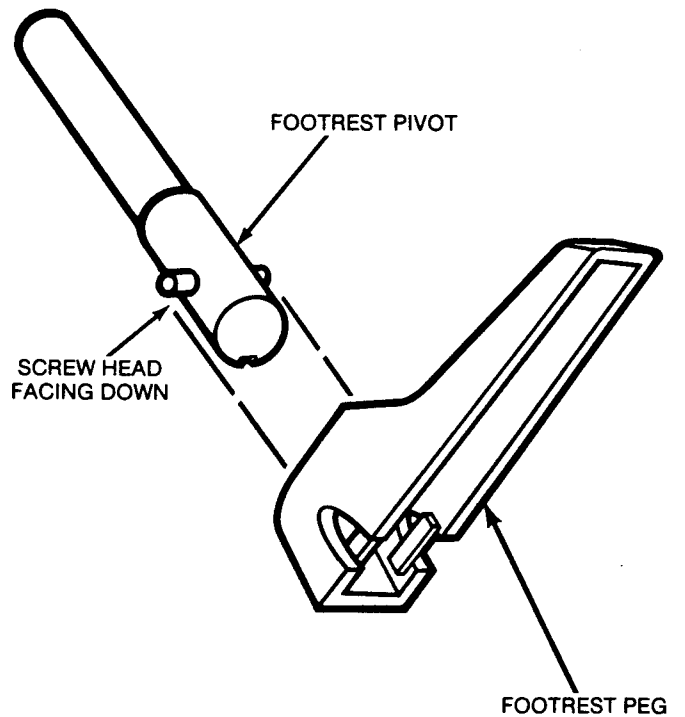
1. A. Feed FOOTREST TUBE through drilled hole in engine. Secure with (1) #8 x 1/2" SCREW as shown.



2. A. Push FOOTREST PIVOT onto FOOTREST TUBE end. Secure with (1) #8 x 1/2" SCREW. Repeat for opposite end.

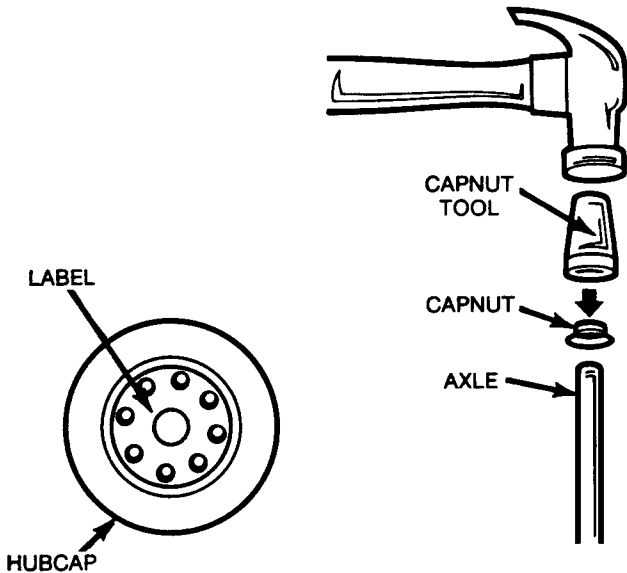


3. A. Snap FOOTREST PEG onto FOOTREST PIVOT as shown. Repeat for other side.

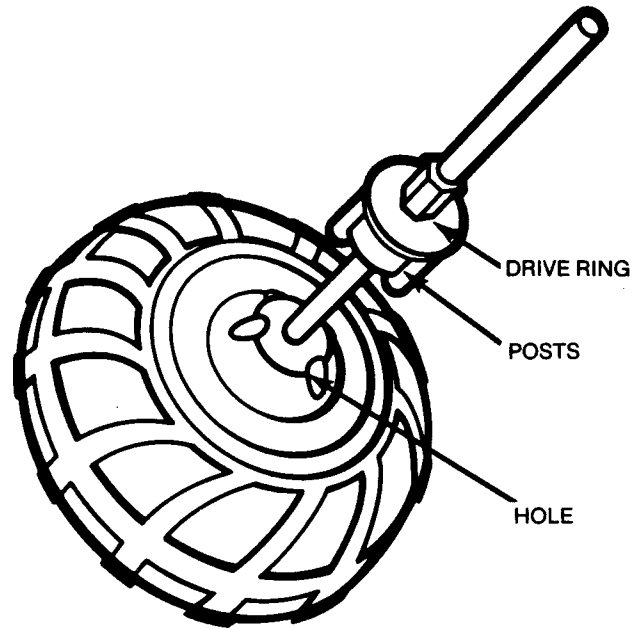


# REAR END ASSEMBLY

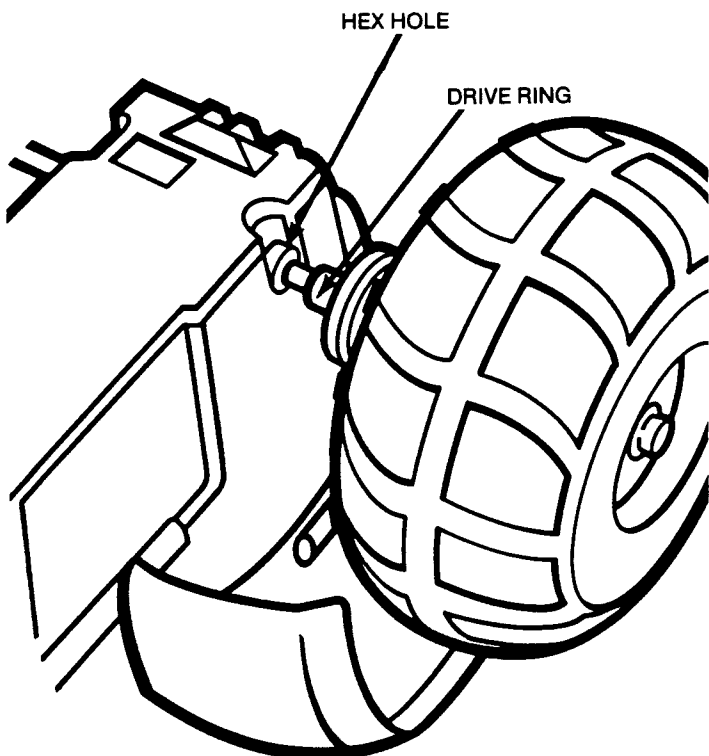
1. **A.** Get 4 HUBCAPS from polybag.
- B.** Peel the 4 HUBCAP LABELS (#5) from the label sheet and place one on each HUBCAP as shown.
- C.** Take 2 CAPNUTS from the polybag. Place a CAPNUT on one end of an AXLE and place the CAPNUT TOOL on top of it.
- D.** Gently hammer the tool until the CAPNUT fits snugly. Tap the other CAPNUT onto the other AXLE in the same way. (Set one AXLE aside to be used in the front end assembly.)



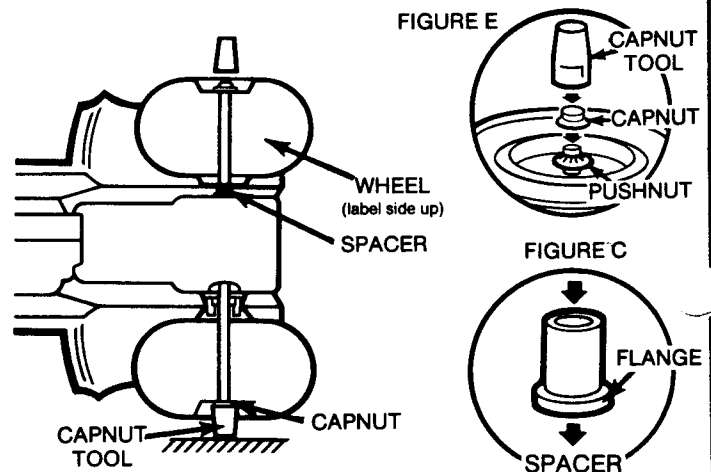
2. **A.** Slide a HUBCAP onto AXLE so that LABEL is against CAPNUT.
- B.** Slide a Wheel onto AXLE so that Wheel nests over the HUBCAP.
- C.** Slide DRIVE RING onto AXLE as shown. Fit its 3 POSTS into the wheel's 3 HOLES as shown.



3. **A.** Slide the AXLE into the HEX HOLE and fit the DRIVE RING into the HEX HOLE.
- B.** Hold DRIVE RING in place as you push the AXLE through the body and out the other side.

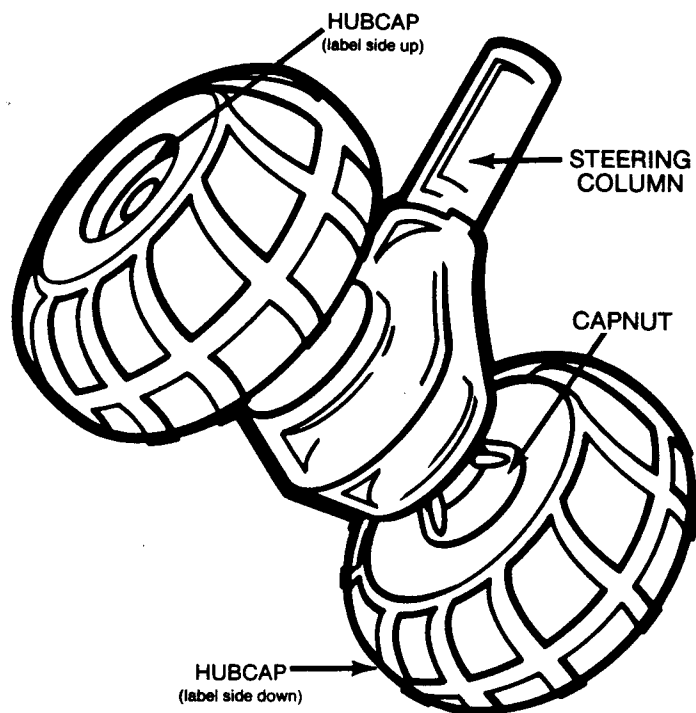


4. **A.** Turn the rear end assembly on its side as shown with attached CAPNUT on the ground and free end of axle up.
- B.** Place a CAPNUT TOOL under the CAPNUT on the ground.
- C.** Slide SPACER onto AXLE, FLANGE side down as shown in FIGURE C.
- D.** Slide Wheel on to AXLE.
- E.** Slide HUBCAP onto AXLE, label side up.
- F.** Using CAPNUT TOOL and hammer, tap one PUSHNUT onto AXLE as shown. It is important to leave a small gap between PUSHNUT and HUBCAP in order to allow wheels to spin freely (see illustration).
- G.** Using your hammer and a CAPNUT TOOL as shown in FIGURE E., tap CAPNUT onto upturned AXLE.

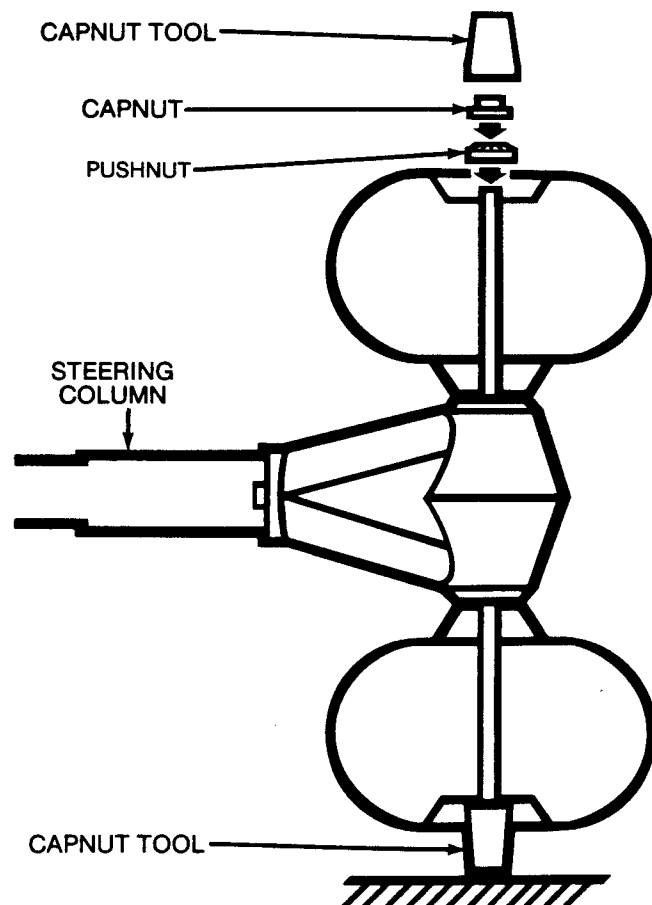
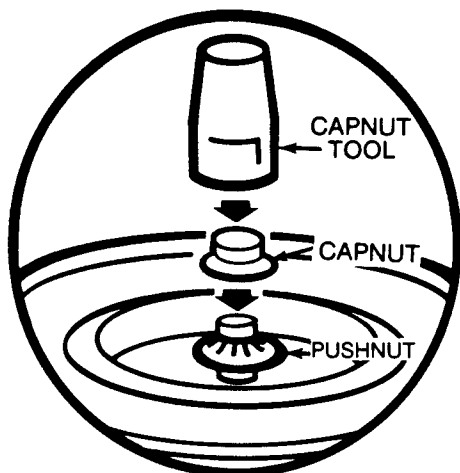


# FRONT END ASSEMBLY

1. **A.** Slide a HUBCAP (label side down) onto the second AXLE up to the CAPNUT.  
**B.** Slide a Wheel up to the HUBCAP so that the wheel nests over HUBCAP.  
**C.** Slide the STEERING COLUMN onto AXLE up the wheel.  
**D.** Slide the last Wheel onto AXLE up to STEERING COLUMN.  
**E.** Slide HUBCAP (label side up) onto AXLE.

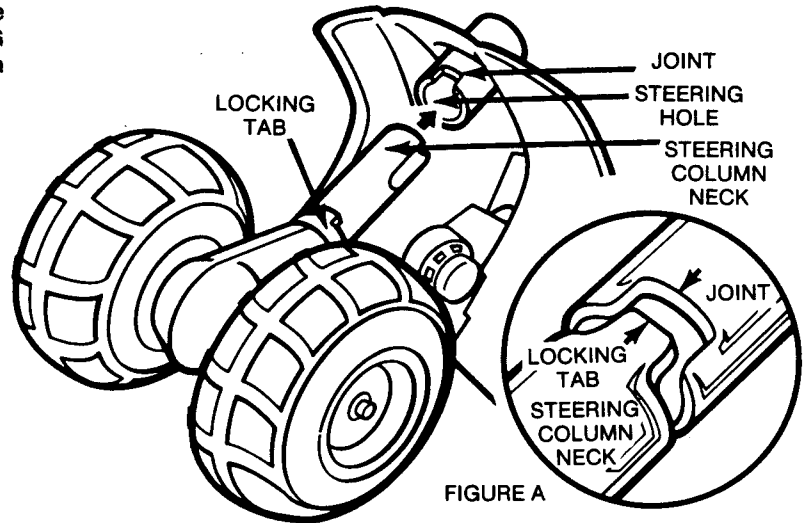


2. **A.** Turn the toy on its side as shown. Place a CAPNUT TOOL under the CAPNUT already attached.  
**B.** Using a CAPNUT TOOL and hammer, tap one PUSHNUT onto AXLE as shown. It is important to leave a small gap between PUSHNUT and HUBCAP in order to allow wheels to spin freely (see illustration).  
**C.** Place a CAPNUT and CAPNUT TOOL on the upturned end of the AXLE as shown.  
**D.** Use your hammer to tap the tool until CAPNUT is securely in place.

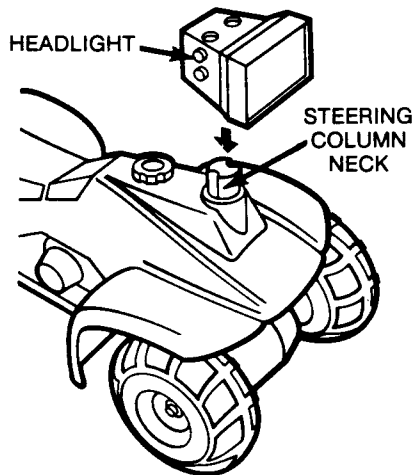


# STEERING COLUMN ASSEMBLY

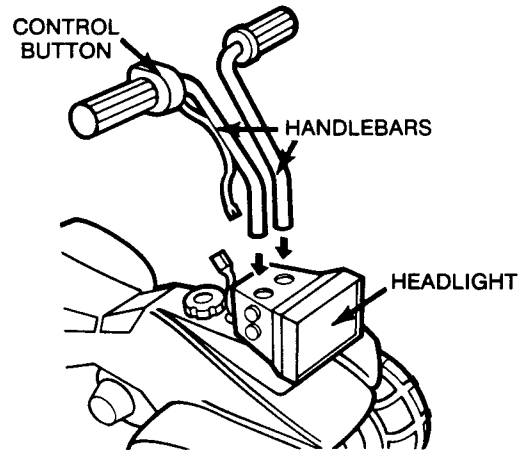
1. **A.** Position the **STEERING COLUMN NECK** up through the **STEERING HOLE** in the main body. The **LOCKING TAB** must face forward, away from the driver. Continue to push **STEERING COLUMN NECK** through **STEERING HOLE** until **LOCKING TAB** meets **JOINT** as shown in **FIGURE A**.



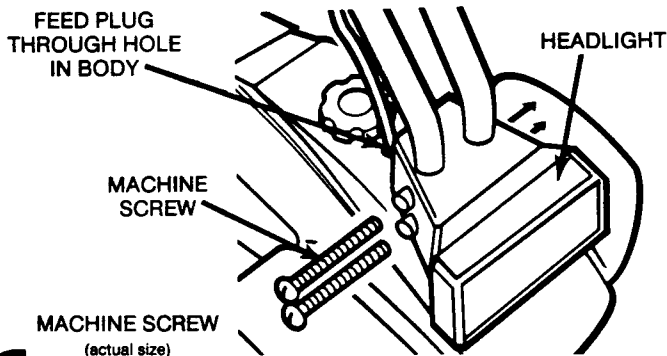
2. **A.** Set the **HEADLIGHT** on top of the **STEERING COLUMN NECK**.



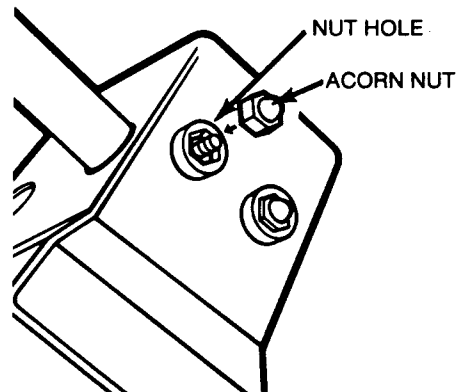
3. **A.** Push the **HANDLEBARS** into the holes on top of the **HEADLIGHT** and down into the steering column neck as far as they will go. (The "right" handlebar has the **CONTROL BUTTON** on it.)



4. **A.** Remove the 2 **MACHINE SCREWS** from the hardware polybag.  
**B.** Push the **MACHINE SCREWS** through the **HEADLIGHT** and all the way out the other side as shown. You may need to use a screwdriver to help them through.

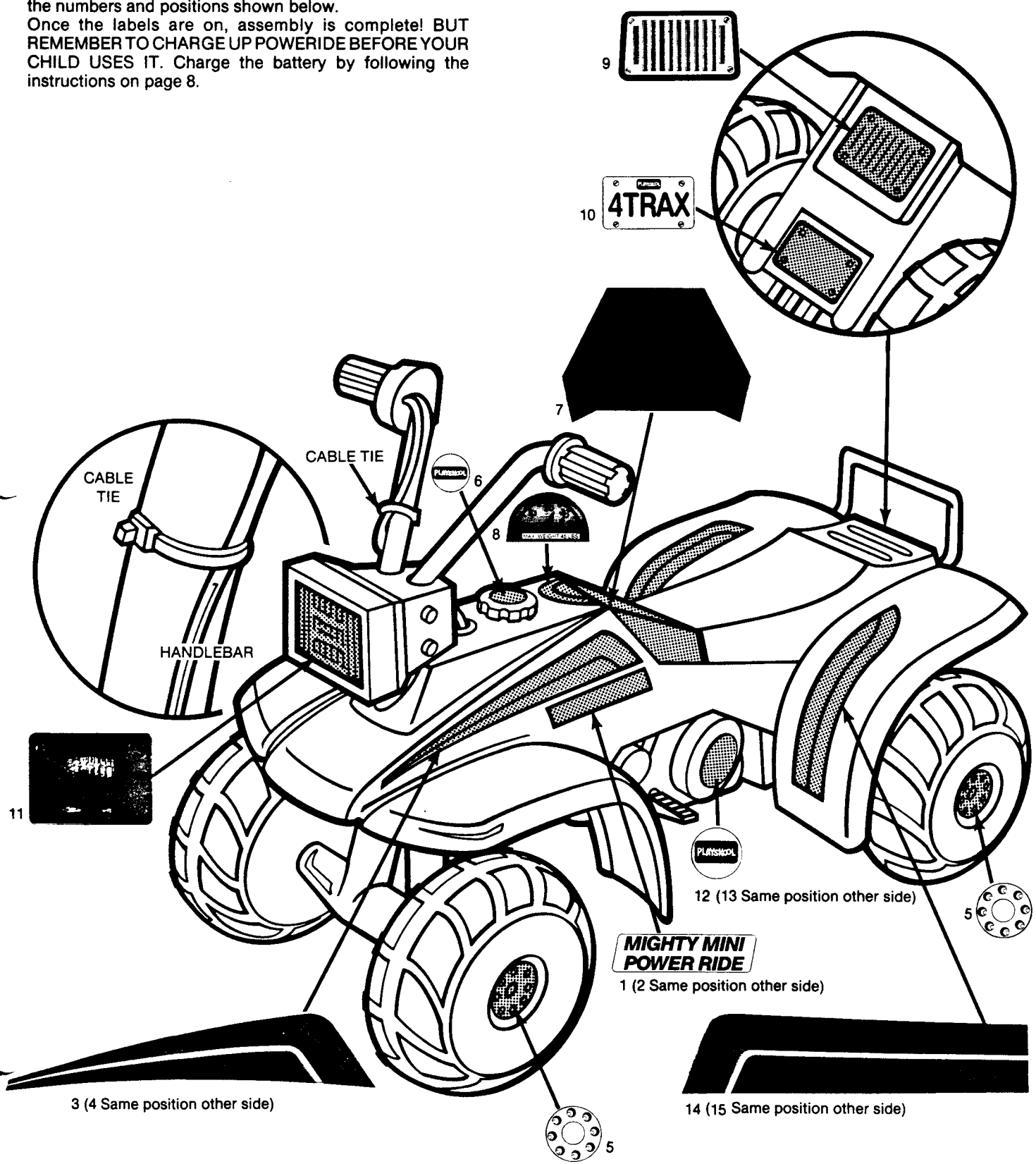


5. **A.** Remove 2 **ACORN NUTS** from the hardware polybag. Use your fingers to start a nut on each screw.  
**B.** Push the **ACORN NUTS** into the molded **NUT HOLES** to lock them into place.  
**C.** Tighten the screws from the other side using your screwdriver.



# THE FINISHING TOUCHES

1. **A.** Remove CABLE TIE from plastic parts polybag.  
**B.** With the teeth-side inward, wrap the tie around the HANDLEBAR (with control button): and the CABLE as shown in close-up 1.
2. Now it's time to peel off the labels and put the finishing touches on your POWERIDE. Each label is numbered on your label sheet. Match the numbers on the label sheet with the numbers and positions shown below.  
 Once the labels are on, assembly is complete! BUT REMEMBER TO CHARGE UP POWERIDE BEFORE YOUR CHILD USES IT. Charge the battery by following the instructions on page 8.



# CHARGING INSTRUCTIONS

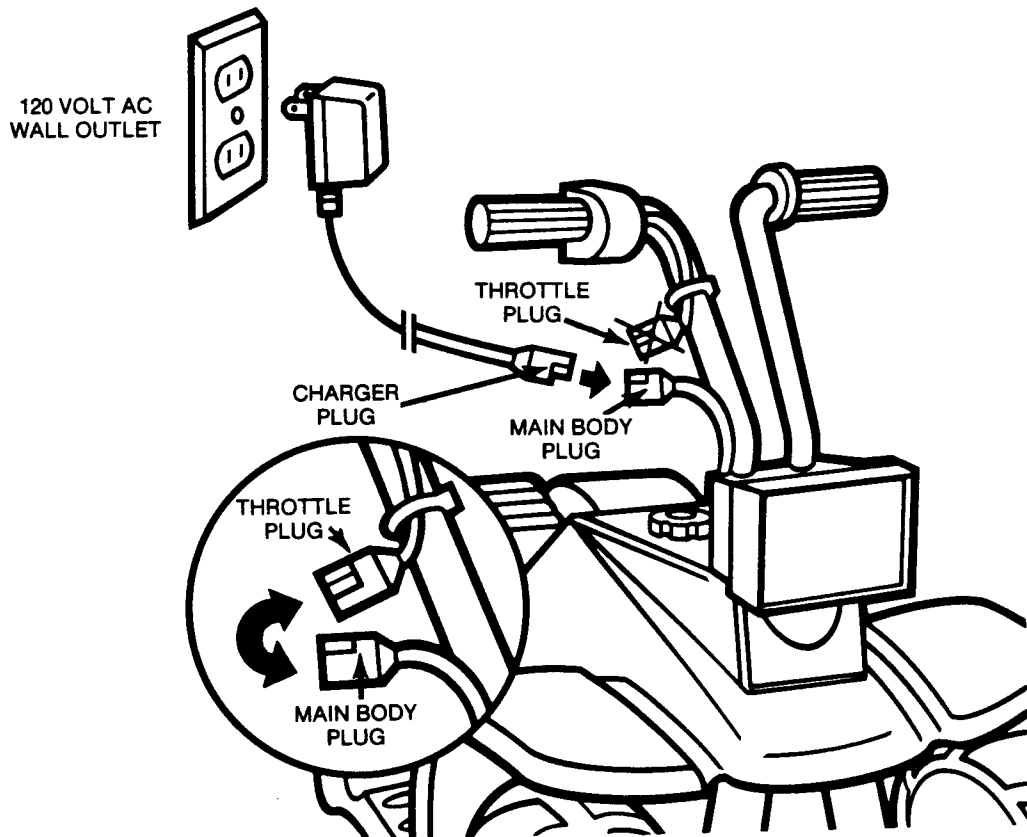
**IMPORTANT:** This POWERIDE must be charged before using for the first time. If it is used before charging, you may drain your battery dead. This battery should be charged indoors and by adults only!

1. To charge the battery, place the CHARGER PLUG into the MAIN BODY PLUG. NOTE: Use this specially designed CHARGER.
2. Plug CHARGER into a WALL OUTLET.
3. See CHARGING CHART for proper charging time. NOTE: Do not charge for more than 48 HRS. Overcharging will damage the battery.
4. After the battery is charged, remove CHARGER from WALL OUTLET first. Then, disconnect the CHARGER AND MAIN BODY PLUG. NOTE: Always pull the plugs, never the electrical wires.
5. For power, connect the THROTTLE PLUG AND THE MAIN BODY PLUG as shown in close-up.

**PARENTS PLEASE NOTE:** Periodically examine the charger housing and the cord to determine if any hazard exists. Any condition should be corrected immediately before use. The charger and all electrical apparatus should be safely stored away when not in use. It should not be dropped or abused.

**Charger Technical Specifications:**  
**INPUT 120 Volt AC 60 HZ 8W**  
**OUTPUT 6 Volt DC 1.8W**

CHARGING TIME CHART	
CONDITION	CHARGING TIME
Before using first time	18 HRS
Under 1 HR of normal use on hard, level surface	18 HRS
Under 1 HR Heavy use such as riding up hills, on sand or soft earth	18 HRS
1-2 HRS of normal use on hard, level surface	18 HRS
1-2 HRS of Heavy use, such as riding up hills, on sand or soft earth	18 HRS
Over 2 HRS of use or when POWERIDE slows down	18 HRS
Before storage	18 HRS
Every 6 months during storage	18 HRS
After storage	18 HRS





# BATTERY & FUSE REPLACEMENT

## NOTE:

TO AVOID BATTERY DAMAGE, BE SURE TO FULLY CHARGE THE BATTERY BEFORE USING THIS RIDE-ON TOY. SEE PAGE 8 FOR COMPLETE BATTERY CHARGING INSTRUCTIONS.

Battery replacement as well as Charging should only be done by an adult! You can order batteries from Playskool, Inc., see the Consumer Parts List & Order Form.

### Battery Replacement

1. Squeeze the sides of the SEAT together then lift up the SEAT (see Figure 1.) NOTE: Electrical wires, battery and hot motor are under the seat ... not for children's access!
2. Remove the large and small BATTERY CLIPS from the BATTERY TERMINALS (see Figure 2.)
3. A. Press down on the BATTERY STRAP and slide it forward (see arrow A. in Figure 3.)  
B. Lift BATTERY STRAP out and remove (see arrow B. in Figure 3.)
4. Remove the old battery and replace with a new one. Connect the BATTERY CLIP with plastic cover to the (+) terminal. Connect the uncovered BATTERY CLIP to the (-) terminal (see Figure 2.) NOTE: If the BATTERY CLIPS are loose, tighten by gently squeezing with pliers.
5. Snap the BATTERY STRAP back into place and close seat securely (see Figure 1.)
6. Be sure to charge the new battery (see CHARGING INSTRUCTIONS) before using the POWERIDE! Only use the CHARGER provided.

### Fuse Replacement

A Fuse has been added as an extra safety feature of the Poweride. If the motor does not start, you may need to check the fuse as well as the battery and battery connections.

1. To check the FUSE, first lift up the seat (see FIGURE 1.), then disconnect the BATTERY CLIPS, see FIGURE 2.)
2. Find the roughly cylindrical FUSE HOLDER attached to the (+) BATTERY CLIP with a plastic cover (see FIGURE 4.)
3. Twist FUSE HOLDER and pull apart to open. Inspect the FUSE. If the METAL PIECE inside the FUSE is broken, the FUSE needs to be replaced (see FIGURE 4.)
4. Replace blown FUSE with 10 Amp SAE or AGC type FUSE. These FUSES can be purchased at most automotive or hardware stores.
5. Replace the BATTERY CLIPS (see FIGURE 2.) and snap the Seat closed (see FIGURE 1.).

FIGURE 4.

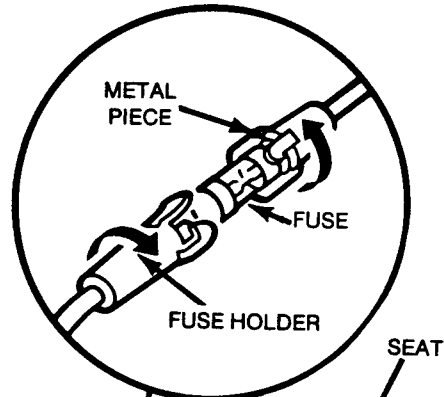


FIGURE 1

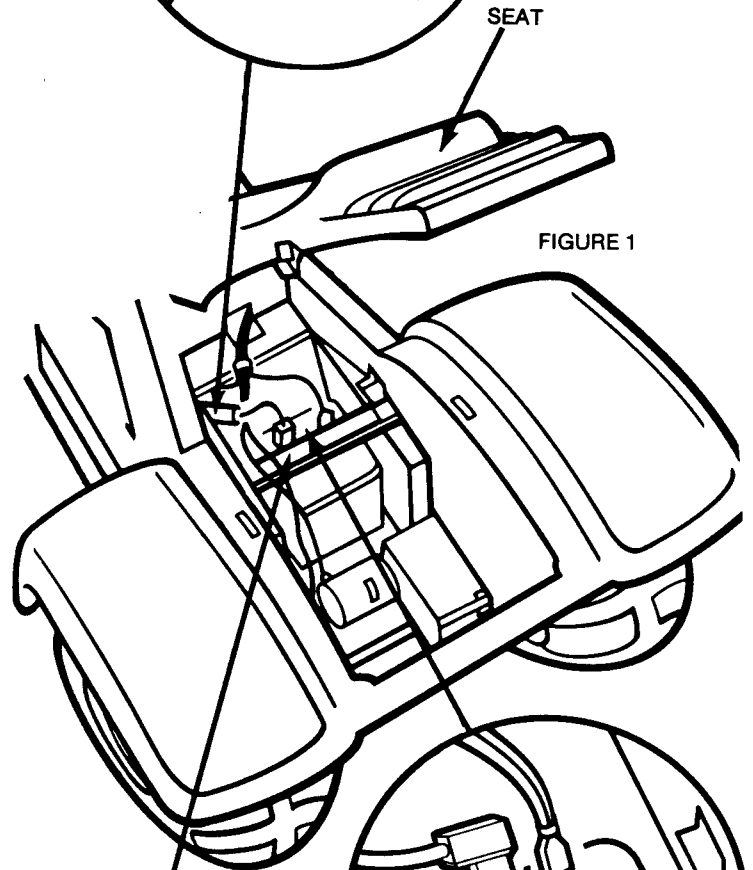


FIGURE 2

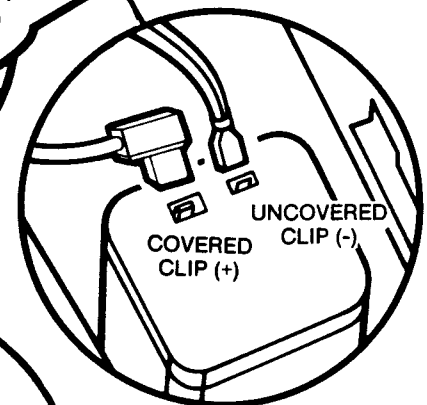
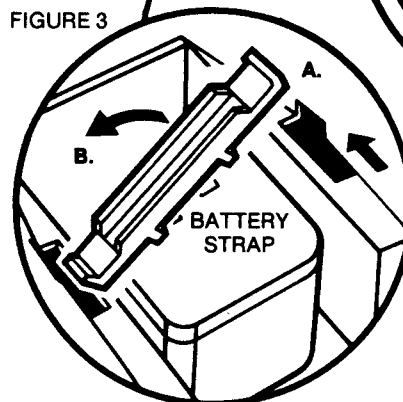


FIGURE 3



Dear Parents:

Please go over the driving safety rules (other side) with your child. When they understand them well, print their name, address and birth date in the spaces provided, sign your name(s) as witness(es) and present them with the official POWERIDE Team driver's license.



PRINT YOUR NAME: \_\_\_\_\_

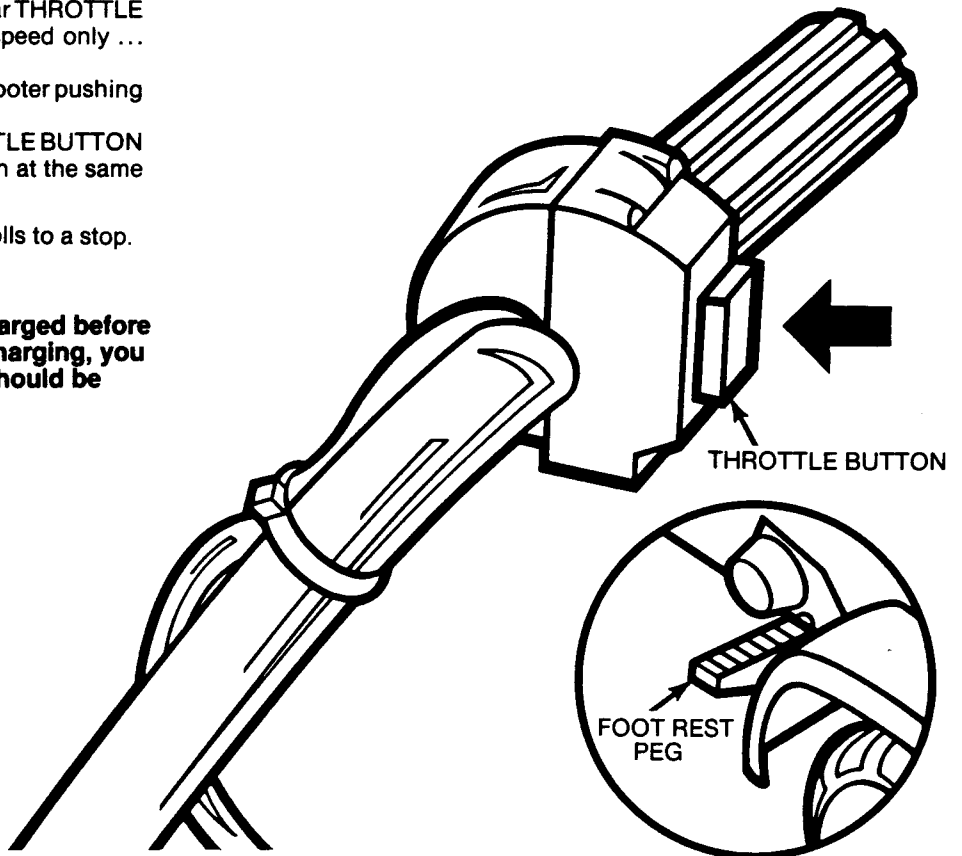
ADDRESS: \_\_\_\_\_

DATE OF BIRTH: \_\_\_\_\_ WITNESS \_\_\_\_\_ DATE \_\_\_\_\_

## LET'S RIDE

- A.** Sit on the POWERIDE with feet on the FOOTREST PEGS.
- A.** To move forward, push in the right handlebar THROTTLE BUTTON. The POWERIDE goes at one speed only ... 1 m.p.h.!  
**B.** Your child can also use this vehicle as a scooter pushing it with his feet.  
**Caution:** Tell your child to use the THROTTLE BUTTON or push with his feet ... but not to do both at the same time!
- A.** Release the button and the POWERIDE rolls to a stop.

**IMPORTANT:** This POWERIDE must be charged before using for the first time. If it is used before charging, you may drain your battery dead. This battery should be charged indoors and by adults only!



Dear Parents:

Please go over these driving safely rules with your child. When he understands them well, present him with the official Team POWERIDE driver's license (other side).

### SAFETY INSTRUCTIONS

- 1. I WILL RIDE ON THIS TOY ALONE. NO ONE CAN RIDE WITH ME!
- 2. I WILL ALWAYS WEAR MY SHOES AND MAKE SURE MY LACES ARE TIED.
- 3. I WILL KEEP MY FEET ON THE FOOTREST PEGS WHEN I USE THE THROTTLE BUTTON.
- 4. I WON'T LET ANYONE OVER 45 POUNDS RIDE ON MY POWERIDE.
- 5. I WILL NOT RIDE ON HILLS, IN THE STREET, IN ALLEYS OR DOWN STEPS.
- 6. I WILL NOT RIDE BEHIND OR NEAR PARKED CARS.
- 7. I WILL ONLY SIT ON THE SEAT, NEVER ON THE FENDERS.
- 8. I WILL NOT RIDE OUTSIDE WHEN IT'S WET:
  - a. I WON'T RIDE OVER OR NEAR SPRINKLERS
  - b. I WON'T RIDE THROUGH PUDDLES
  - c. I WON'T RIDE IN THE RAIN OR SNOW
- 9. I WILL HELP REMIND MY PARENTS TO RECHARGE MY BATTERY AFTER I USE MY POWERIDE.
- 10. IF I HAVE ANY PROBLEMS WITH MY POWERIDE I WILL TELL MY PARENTS ABOUT IT!

### TROUBLE SHOOTING

**IMPORTANT NOTICE: PARENTS PLEASE MAKE PERIODIC INSPECTIONS OF VEHICLE HARDWARE TO ENSURE THAT IT IS SECURE.**

COMPLAINT	CAUSE	CHECK
No movement	Battery clips are disconnected	Secure battery clips on their proper battery terminals. See Battery Replacement on page 6.
	Battery needs recharging	Recharge battery, see page 5.
	Wall outlet not working	Recharge battery (see page 5) at a different wall outlet.
	No electrical connection	Check to see that the Throttle Plug & Main Body Plug are connected.
Difficulty in steering	Loose handlebars	Tighten screws on handlebars.
No wheel traction	Muddy wheels	Wash wheel with wet sponge.

**NOTE: IF A PROBLEM STILL EXISTS AFTER CONSULTING THE TROUBLE SHOOTING CHART, CALL US, TOLL FREE. ONLY RETURN THE POWERIDE WHEN ASKED TO DO SO!**

If you have any questions or comments concerning this product, call our Playskool Customer Service hotline **1-800-237-0063** Monday through Friday, 8:30 am to 4:30 pm. Eastern Standard Time. In Rhode Island, call: **431-8697**

All written inquiries should be mailed to:  
**Playskool Consumer Services Division**  
**P.O. Box 5839, Pawtucket, Rhode Island 02862**  
 This will provide quick and reliable service for your product.  
 Do not request same from your dealer.

**PLEASE RETAIN THIS GUIDE AND ALL LITERATURE FOR FUTURE REFERENCE.**