



# Minnie Mouse

## 9" Trike



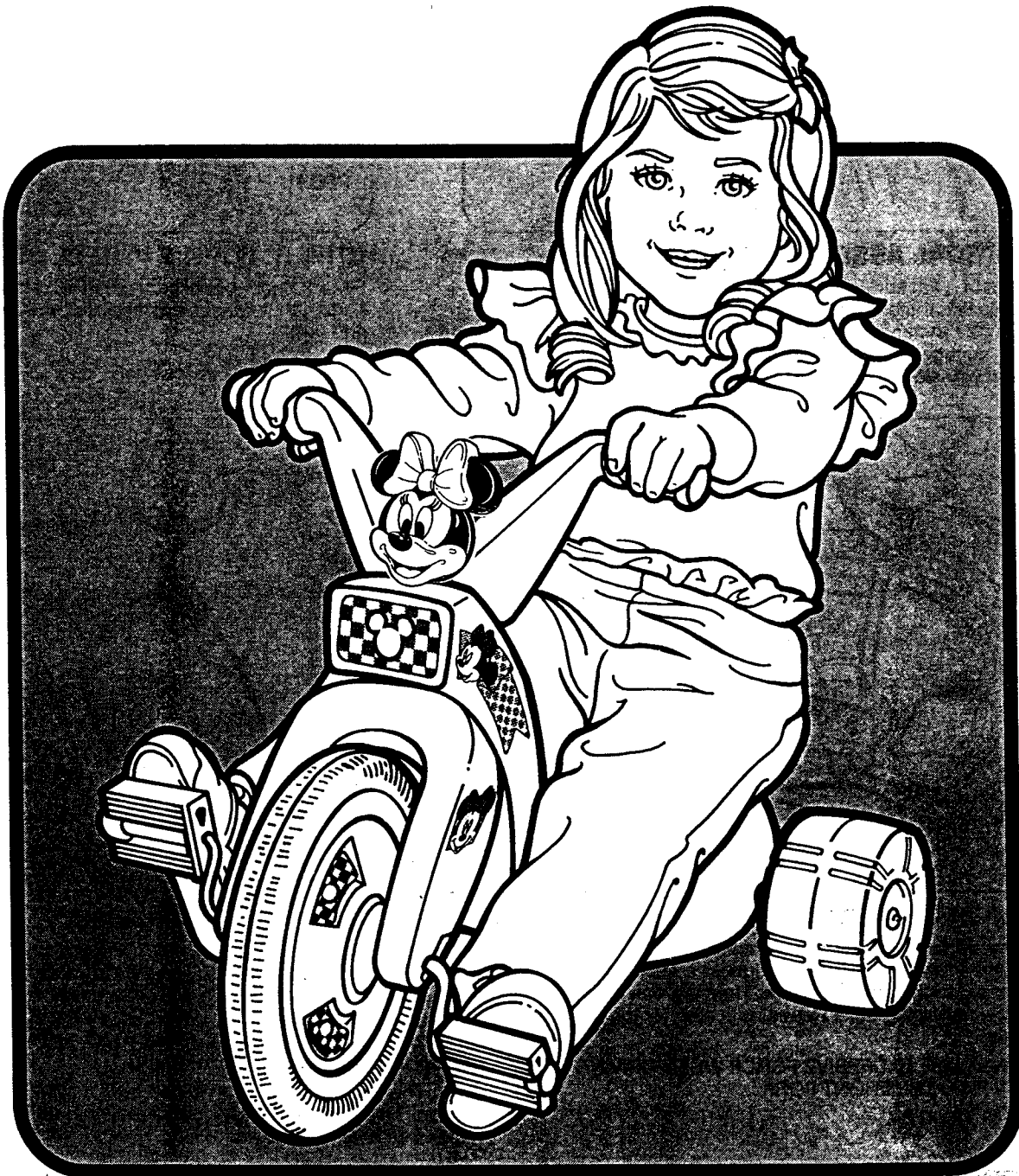
For future reference, our toll-free consumer service number is also located on this product.

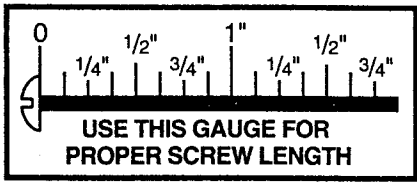
### PLEASE KEEP THIS GUIDE AND ALL LITERATURE FOR FUTURE REFERENCE

**Adults Please Note:** This product should be assembled by an adult. Periodically check all hardware to be sure it is secure. For easier assembly, trim excess plastic from all parts before starting. Please read instructions prior to assembly. Study each step carefully to familiarize yourself with procedure and parts. Refer to back page for illustrated parts list.

**TOOLS NEEDED FOR ASSEMBLY (NOT INCLUDED):** Phillips® screwdriver, Hammer, small Block of Wood (not included).

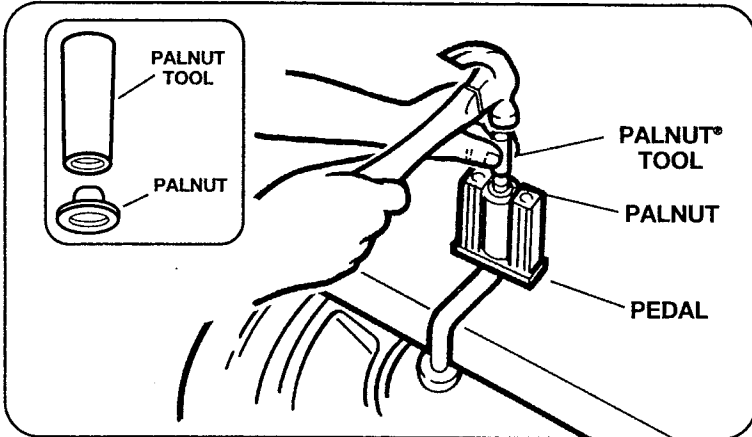
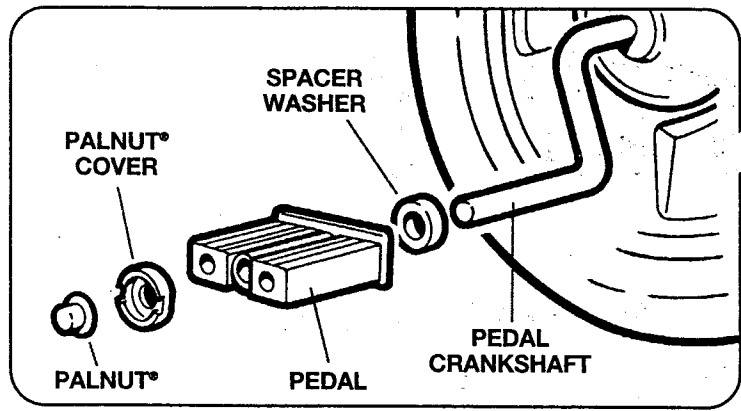
**CAUTION:** ADULT SUPERVISION AND INSTRUCTION REQUIRED REGARDING THE PROPER USE OF THIS TOY. THIS RIDE-ON TOY SHOULD NOT BE USED NEAR SWIMMING POOLS, ON OR NEAR HILLS, ROADWAYS, SLOPED DRIVEWAYS, ALLEYS OR STEPS. SHOES MUST BE WORN AT ALL TIMES. ONLY ONE RIDER AT A TIME. DO NOT RIDE AFTER DARK. DO NOT CARRY ANYTHING, PARTICULARLY OBJECTS THAT IMPAIR VISION, WHILE RIDING THIS TOY. DO NOT LEAVE CHILD UNATTENDED WHILE RIDING THIS TOY.





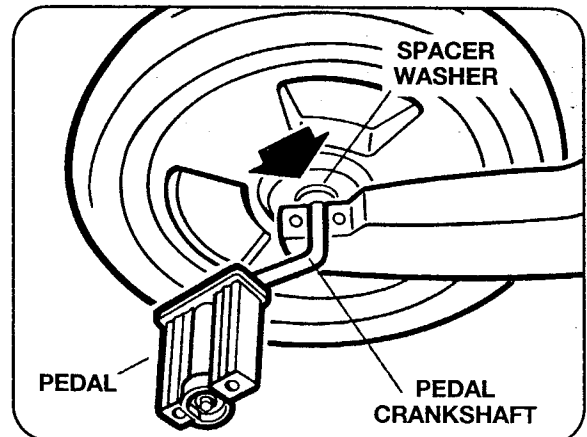
### STEP 1. PEDAL ASSEMBLY

Slide a spacer washer onto the pedal crankshaft up to the wheel center. Next, slide a pedal onto the pedal crankshaft (rounded corners on pedal away from wheel). Then, slide a Palnut® cover onto the pedal crankshaft (flat side facing pedal) and finally, fit a Palnut over protruding end of shaft, as shown.



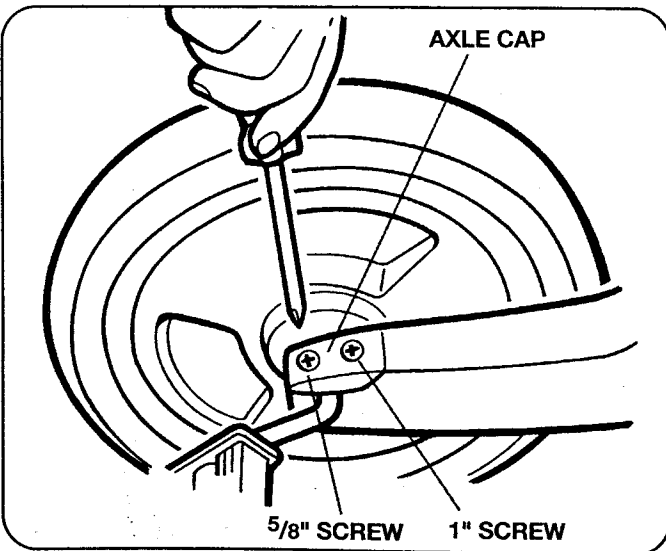
### STEP 2. PEDAL ASSEMBLY (CONT.)

Use the edge of a flat surface to support the front wheel pedal assembly (see illustration). Then, position the Palnut tool over the Palnut and strike the end of the tool with the hammer. Make sure the Palnut is engaged by pulling on the pedal. Repeat steps 1 and 2 for the opposite side of the front wheel.



### STEP 3. FORK & WHEEL ASSEMBLY

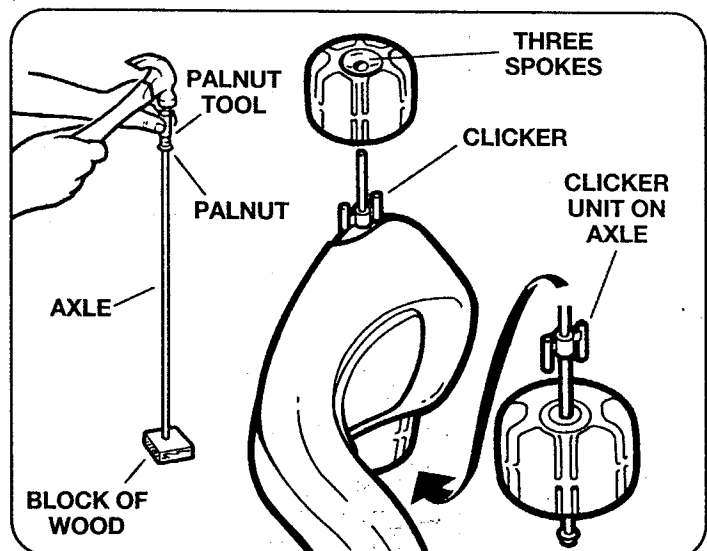
Fit fork under pedal crankshaft as shown. Make certain that spacer washers are between the wheel and fork.



### STEP 4. FORK/WHEEL ASSEMBLY (CONT.)

Position the axle cap over the pedal crankshaft as shown. Next, using the Phillips® screwdriver, tighten a 1" screw into the hole closest to the top of the fork. Then, tighten a 5/8" screw into the remaining hole. Repeat this step for the other side of the fork.

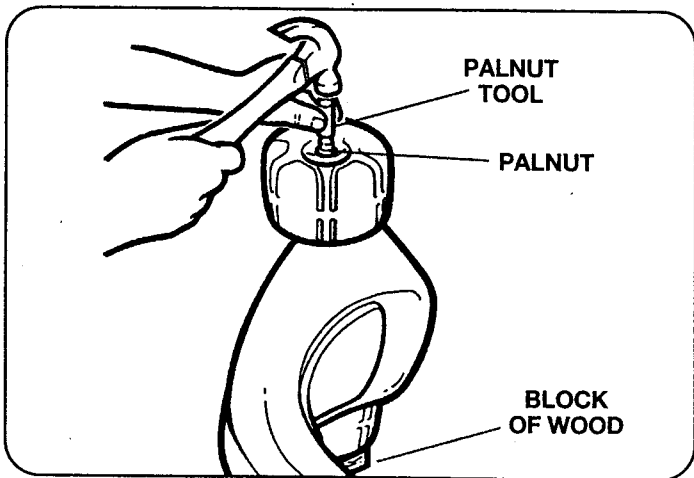
**NOTE: DO NOT USE EXCESSIVE FORCE WHEN DRIVING THE SCREW INTO THE FRONT FORK. DO NOT OVERTIGHTEN.**



### STEP 5. REAR WHEEL ASSEMBLY

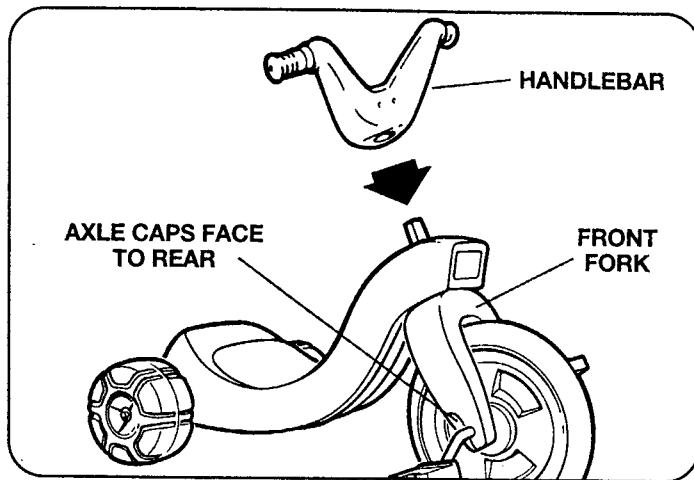
Place the rear axle onto a small block of wood as shown. Secure a Palnut to one end of axle using the Palnut tool. With the three spokes facing down, slide rear wheel onto axle down to attached Palnut. Slide clicker onto axle. Slide axle through holes in rear of body. Slide other clicker onto axle as shown. Put other rear wheel (with 3 spokes up) onto axle.

**Note:** The clickers must be installed even if clicking sound is not desired. To eliminate the clicking sound, snip off the ends of the clickers with large scissors.



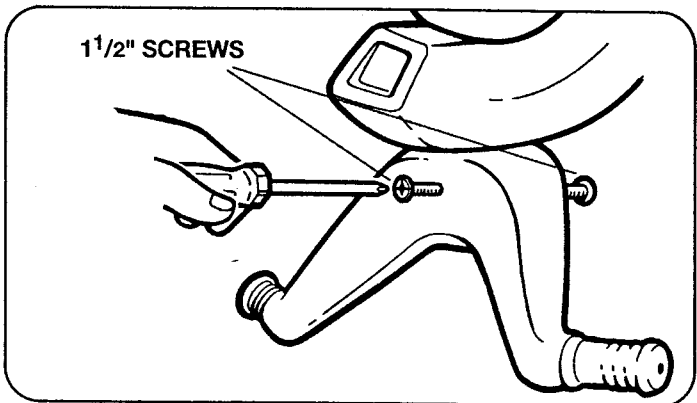
### STEP 6. REAR WHEEL/BODY ASSEMBLY

Put Palnut on the end of the rear axle. Make sure block of wood is positioned under axle. Using the Palnut tool and hammer, fasten the Palnut as shown. This will fasten the wheels to the body assembly.



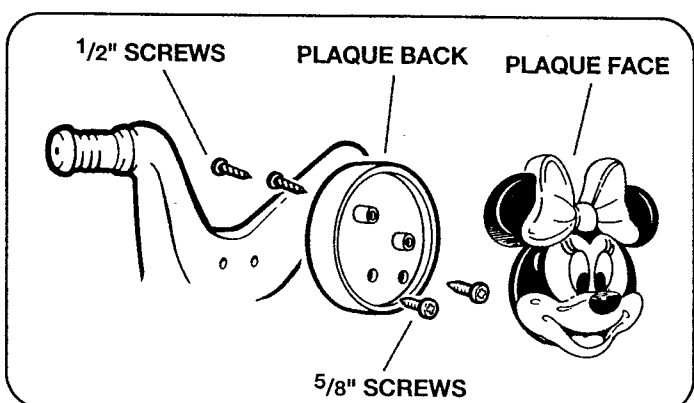
### STEP 7. HANDLEBAR ASSEMBLY

Insert the front fork through body. The axle caps must face the rear of the cycle. Then, slide the handlebar onto the fork post, handles facing back. Handlebar must be fully seated to fork.



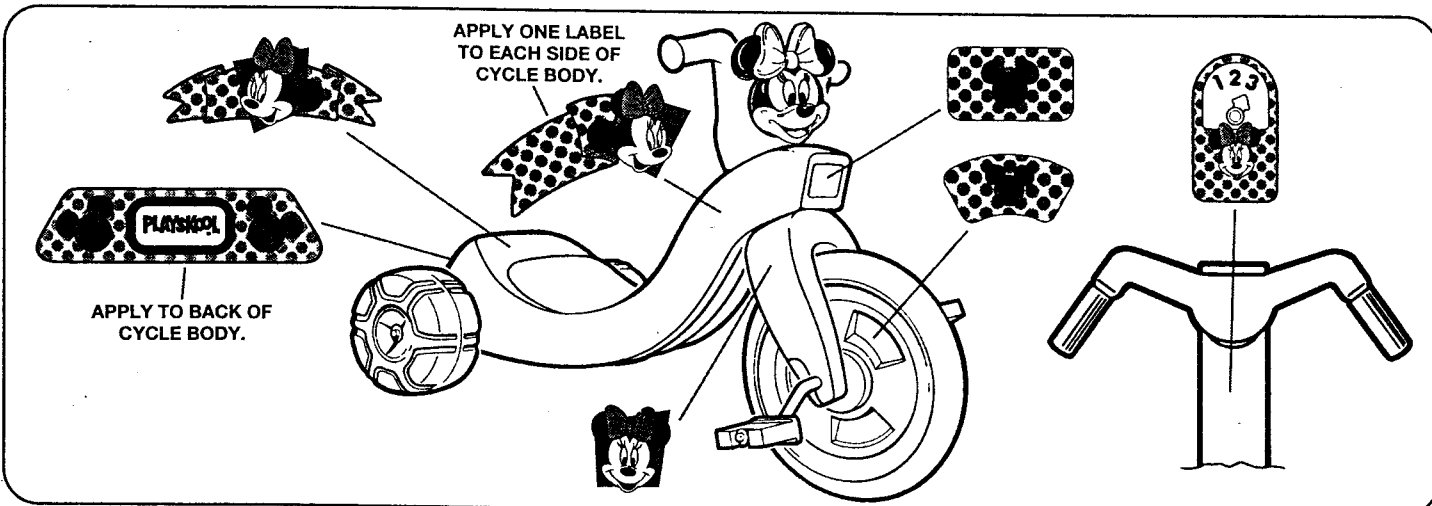
### STEP 8. FASTEN HANDLEBAR

Insert two 1 1/2" screws into pilot holes on front and back of handlebar until screws are engaged (front screw goes in middle hole). Then, turn cycle upside down on its handlebar. Push down on fork and tighten the screws into the handlebar assembly. BE CAREFUL NOT TO OVERTIGHTEN.



### STEP 9. PLAQUE ASSEMBLY

Align the two screw holes in plaque back with handlebar holes. Fasten plaque to handlebar with two 5/8" screws. BE CAREFUL NOT TO OVERTIGHTEN SCREWS. Align holes in plaque face with holes in plaque back, then fasten together with two 1/2" screws. DO NOT OVERTIGHTEN SCREWS.

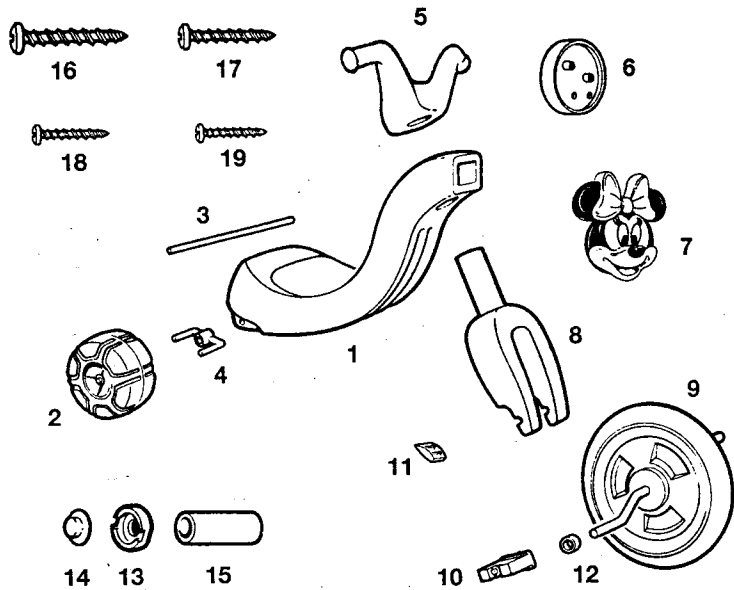


### STEP 10. DECAL INSTRUCTIONS

NOTE: THOROUGHLY WIPE DECAL AREAS WITH CLEAN, DRY CLOTH BEFORE APPLYING DECALS.

Using decal sheet, remove decals one at a time and apply to appropriate positions on cycle, as shown on diagram. Make sure all decals are positioned on cycle as shown.

**IMPORTANT: BE SURE OF DECAL PLACEMENT BEFORE ALLOWING DECALS TO SET OVERNIGHT.**



**Replacement Parts Order Form**  
**PARTS DIAGRAM FOR**  
**9" MINNIE MOUSE TRIKE**  
**Ride-on Model 50504**

Please check all parts carefully before assembly.

- |                                |                             |
|--------------------------------|-----------------------------|
| 1. BODY                        | 11. AXLE CAPS (2)           |
| 2. REAR WHEELS (2)             | 12. SPACER WASHERS (2)      |
| 3. REAR AXLE                   | 13. PALNUT COVERS (2)       |
| 4. CLICKERS (2)                | 14. PALNUTS (5)             |
| 5. HANDLEBAR                   | 15. PALNUT TOOL             |
| 6. PLAQUE BACK                 | 16. 1 1/2" SCREWS (2)       |
| 7. PLAQUE FACE                 | 17. 1" SCREWS (2)           |
| 8. FRONT FORK                  | 18. 5/8" SCREWS (4)         |
| 9. FRONT WHEEL WITH CRANKSHAFT | 19. 1/2" SCREWS (2)         |
| 10. PEDALS (2)                 | 20. DECAL SHEET (NOT SHOWN) |

If you have any questions, comments, or need additional information concerning this product or its parts, please call our Playskool Consumer Service hotline at 1-800-PLAYSKOOL (1-800-752-9755), Monday through Friday, 8:00 AM to 5:00 PM Eastern Time.  
 All written inquiries should be mailed to: Playskool Consumer Service Department, P.O. Box 200, Pawtucket, Rhode Island 02862-0200

311 3 28 7 91

ITEM NO.	DESCRIPTION	PART NO.
1	Body	42446307
2	1 Rear Wheel	40285210
3	1 Rear Axle	40285100
5	Handlebar	40285411
6, 7, 18, 19	Plaque Face, Plaque Back, (2) 5/8" Screws, (2) 1/2" Screws	Kit 988
8	Front Fork	40285309
9	Front Wheel with Crankshaft	40286110
11, 12	2 Axle Caps, 2 Spacer Washers	Kit 1006
13	Palnut Cover	40287009
10, 14, 15	Pedal Kit - 2 Pedals, 2 Pálnuts & Pálnut Tool	Kit 286
16, 17, 18	Hardware Bag - (2) 1 1/2" Screws, (2) 1" Screws, (4) 5/8" Screws	41739300
4, 14, 15	Palnut Bag - 2 Clickers, 5 Pálnuts, Pálnut Tool	Kit 249
20	Decal Sheet	45064400

Palnut® is a registered trademark of TRW, Inc. All Rights Reserved.

© Disney

© 1994 Playskool, Inc., Pawtucket, RI 02862 U.S.A., a subsidiary of Hasbro, Inc. All Rights Reserved.

® denotes Reg. U.S. Pat. & TM Office **MADE AND PRINTED IN U.S.A. MINNIE FACE PLATE MADE IN CHINA.**

50504 P/N 45064301