

Musical Dream Screen™ INSTRUCTIONS

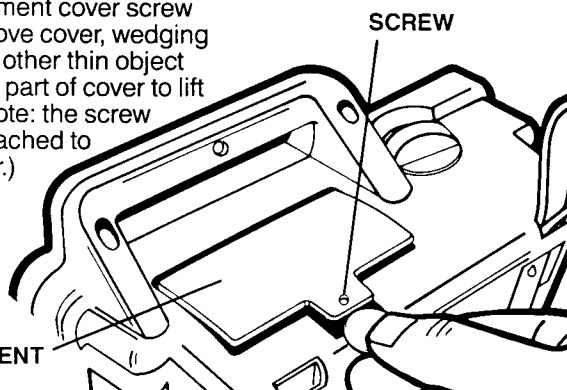
Light-up musical crib toy . . . specially tilted for baby's view!

What's needed: 4 "C" Batteries (alkaline recommended), Phillips® Screwdriver.

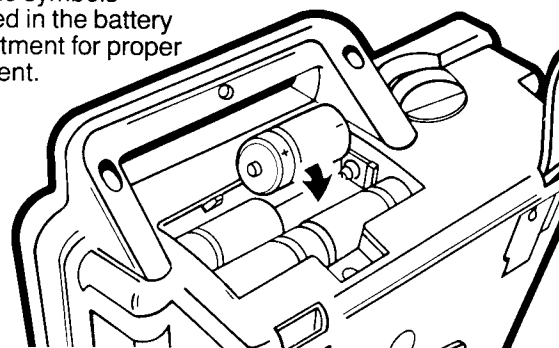
TO INSERT THE BATTERIES

Note: The music box portion of the toy will work without batteries.

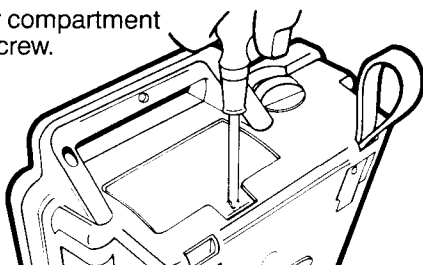
1. Loosen battery compartment cover screw and remove cover, wedging a coin or other thin object into front part of cover to lift it out. (Note: the screw stays attached to the cover.)



2. Insert 4 "C" batteries (alkaline recommended), using the symbols engraved in the battery compartment for proper placement.



3. Fit cover over compartment and tighten screw.

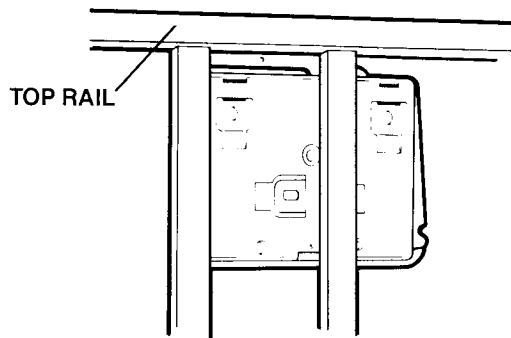


CAUTION: TO AVOID BATTERY LEAKAGE

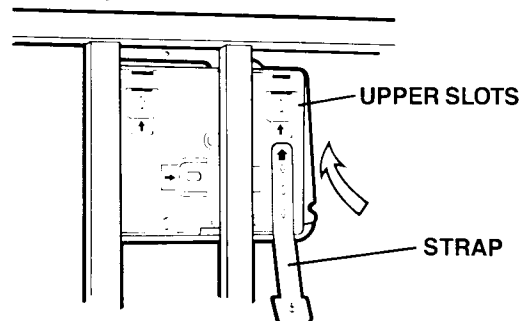
1. Be sure to insert the batteries correctly and always follow the toy and battery manufacturers' instructions.
2. Never mix old batteries and new batteries, or standard (carbon-zinc) with alkaline batteries.
3. Always remove exhausted or dead batteries from the product.
4. Remove batteries if product is stored for a long period of time.

TO ATTACH MUSICAL DREAM SCREEN TO CRIB

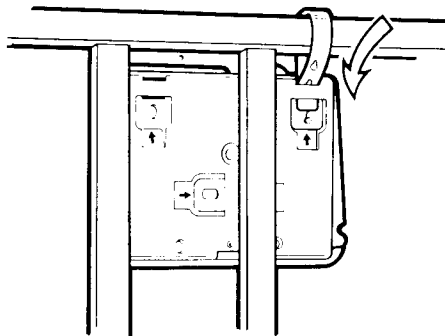
1. Position toy inside the crib near the top rail.



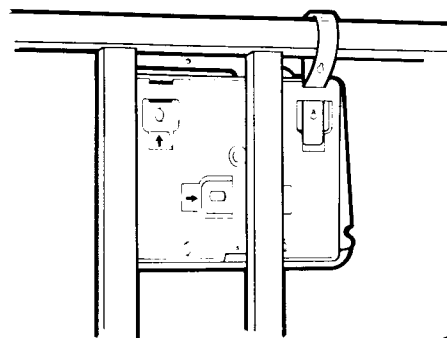
2. Line up arrow on strap with arrow on one of the upper slots on back of toy.



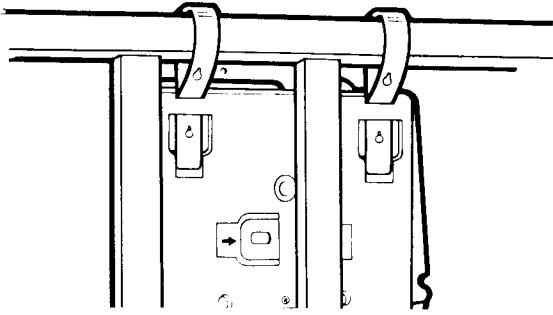
3. Slide strap through slot, around top crib rail, and back down through the slot until strap is holding top of toy firmly onto rail.



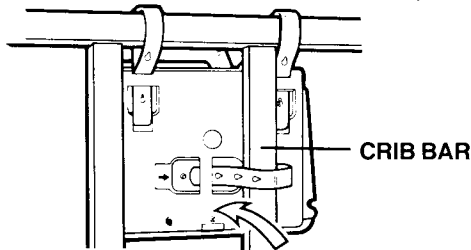
4. Press strap tab into one of the three strap holes as shown.



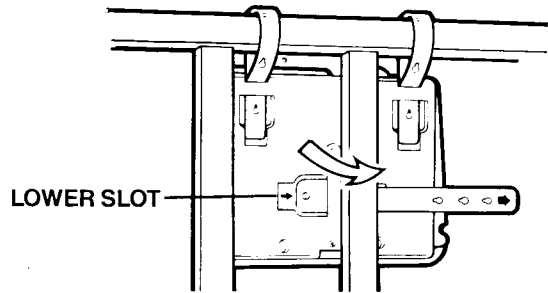
5. Repeat process for other strap and upper slot.



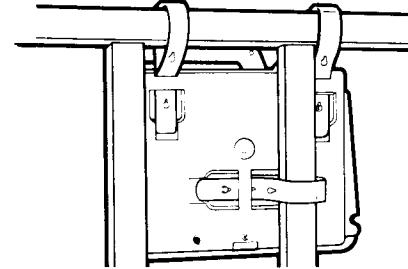
7. Slide strap around one of the crib bars and back down through the slot until strap is holding bottom of toy firmly onto bar.



6. Line up arrows and slide the remaining strap through the lower slot on back of toy (in either direction).



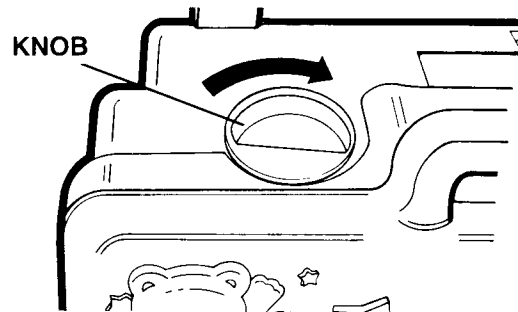
8. Press strap tab into one of the three strap holes.



TO START MUSICAL DREAM SCREEN

1. Wind the knob clockwise. Music will begin to play ("Twinkle, Twinkle Little Star") and bright, sparkling lights will roll across the screen.
2. For maximum play (about 6 minutes), wind knob until resistance occurs. When music stops, the lights will automatically shut off.

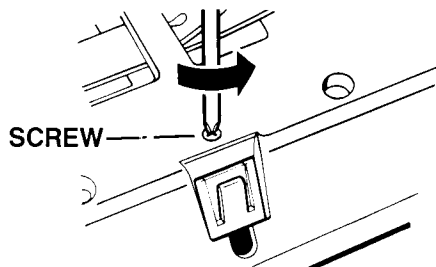
Note: For an especially dazzling and delightful light display, view Musical Dream Screen in a dark room.



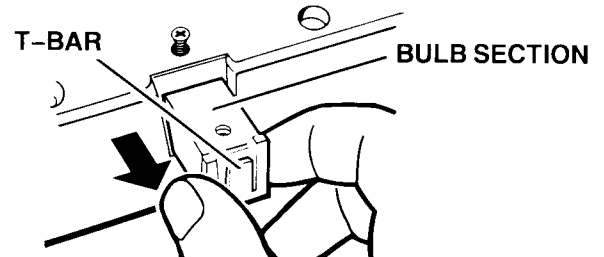
TO REPLACE THE LIGHT BULB

Replace burned out bulb with a standard PR-15 bulb, readily available at hardware and electronics stores.

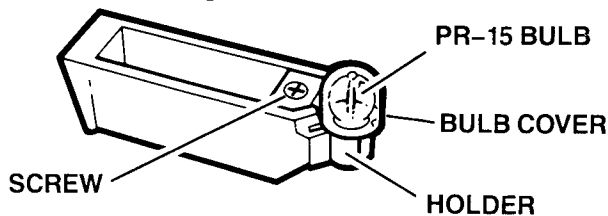
1. Loosen screw on bottom of Dream Screen (note: screw remains attached to unit).



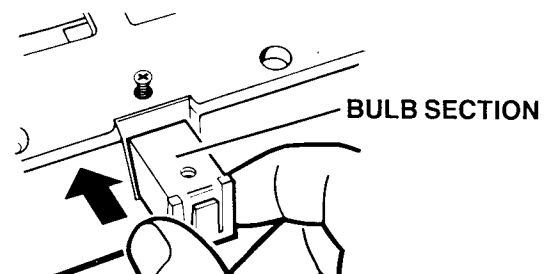
2. Grasp T-bar and pull out bulb section as shown.



3. Remove screw and bulb cover from bulb section. Remove old bulb and place new bulb into holder. Turn bulb until metal lip on bulb rests flat against bulb holder. Refit bulb cover over bulb and retighten screw.



4. Slide bulb section back into toy and tighten screw on unit.



WHAT IF . . .

- A. The lights are getting dim?
Replace the batteries.
- B. There are no lights?
Replace the light bulb.

©1991 Playskool, Inc., Pawtucket, RI 02862 USA, a subsidiary of Hasbro, Inc. All Rights Reserved. U.S. Patent Pending.
Made in China.

