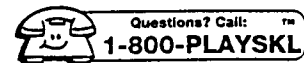




# Musical Glitter-Go-Round™

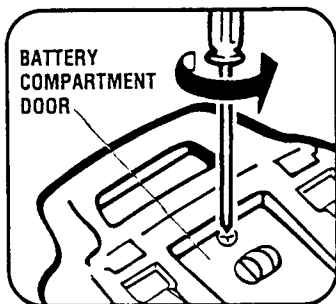
## Instructions

Birth & Up

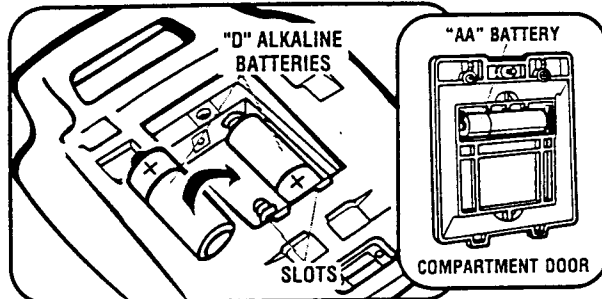


Thank you for purchasing this toy. If you have any questions, our toll-free number is 1-800-PLAYSKL (1-800-752-9755).

**TO INSERT BATTERIES:** Requires 1 "AA" and 2 "D" alkaline batteries (not included). Phillips® screwdriver needed.



1. Using a Phillips® screwdriver, loosen screw in battery compartment door (screw will stay attached to door). Remove door.



2. Insert 2 fresh "D" alkaline batteries into compartment as shown. Insert 1 fresh "AA" battery into back of door as shown.  
3. To replace door, insert 2 tabs on door into slots in compartment opening, then lower door into place. Tighten screw.

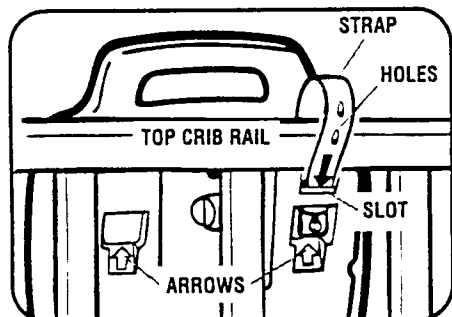
**CAUTION:**  
**TO AVOID BATTERY LEAKAGE:**

1. Be sure to insert the batteries correctly and always follow the toy and battery manufacturers' instructions.
2. Never mix old batteries and new batteries, or standard (carbon-zinc) with alkaline batteries.
3. Always remove exhausted or dead batteries from the product.

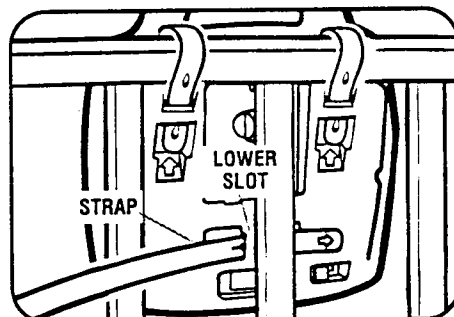
**NOTE:** To extend battery life, make sure the toy is always switched off when not in use (switch is on back of toy).

**NOTE: MAKE SURE MATTRESS IS FULLY LOWERED AND SIDES ARE COMPLETELY RAISED BEFORE ATTACHING.**

**TO ATTACH TOY TO CRIB:**

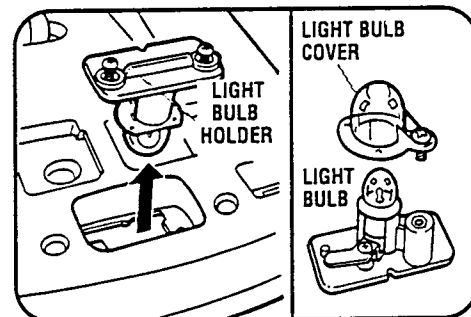


1. Position toy inside crib near top rail.
2. Line up arrow on strap with arrow on one of the upper slots on back of toy.
3. Slide strap through slot, around top crib rail, and back down through slot until strap is holding top of toy firmly onto rail.
4. Press strap tab into one of the 3 strap holes as shown.
5. Repeat process for the other upper slot, using another strap.



6. Line up arrows and slide remaining strap through lower slot on back of toy (in either direction).
7. Slide strap around one of the crib bars and back through slot until strap is holding bottom of toy firmly onto bar.
8. Press strap tab into one of the 3 strap holes.

**TO REPLACE LIGHT BULB:**



1. Using a Phillips® screwdriver, loosen screws in light bulb holder (screws will stay in holder). Remove holder from toy.
2. Loosen screw in light bulb cover (screw will stay in cover), and remove cover.
3. Remove bulb from holder. Insert new PR-3 or PR-6 light bulb. Replace cover and tighten screw. Replace light bulb holder in toy and tighten screws.

**TO ACTIVATE TOY:**

When you press the button, the toy plays music and the colorful disc revolves, sparkles and glows with light. The toy plays for approximately 6 minutes then automatically stops. Press the button to re-activate toy. If button is pressed while a song is playing, that song will immediately stop and the next song will begin.



**ON/OFF SWITCH:**

The ON/OFF switch is located on back of toy. Slide switch to turn off or on.

**Songs will always play in the same order:**

- Oh My Darling
- Twinkle Twinkle
- London Bridge
- Ten Little Indians
- Mary Had a Little Lamb
- Home Sweet Home
- Row Row Row Your Boat
- Humpty Dumpty
- Hey Diddle Diddle
- Farmer in the Dell
- Baa Baa Black Sheep
- Rock-A-Bye Baby