

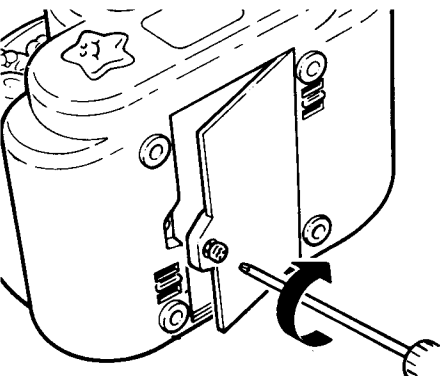


Musical Moonbeam™

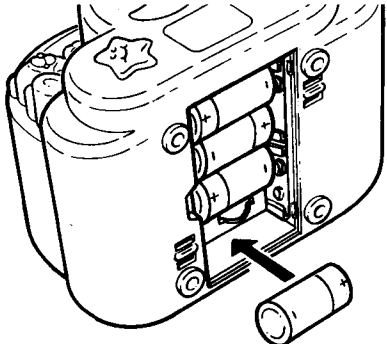
CAUTION: Do not put this item in a crib, playpen or other area where a child could use it as a step to climb upon.

Thank you for purchasing Musical Moonbeam. Please save this instruction sheet for future reference. If you have any questions about this product, please call toll-free at 1-800-PLAYSKL.

To Insert Batteries



1. Using a Phillips screwdriver, loosen screw in battery compartment door on bottom of Musical Moonbeam. Remove door.



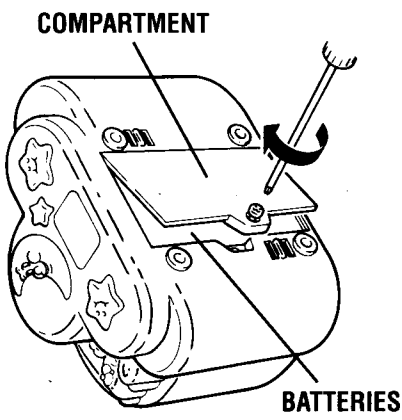
2. Insert 4 "C" alkaline batteries (not included) as shown. Insert tabs on door into holes in compartment, lower door into place, and tighten screw.

CAUTION: TO AVOID BATTERY LEAKAGE

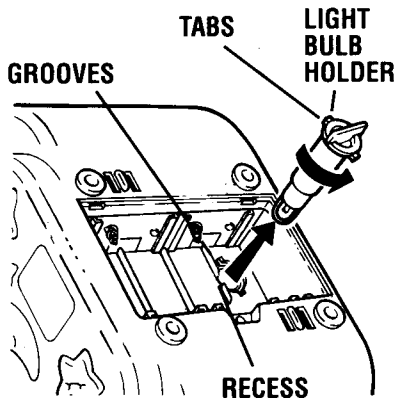
1. Be sure to insert the batteries correctly and always follow the toy and battery manufacturers' instructions.
2. Never mix old batteries and new batteries, or alkaline, standard (carbon-zinc) or rechargeable batteries.
3. Always remove exhausted or dead batteries from the product.

To Replace Light Bulb

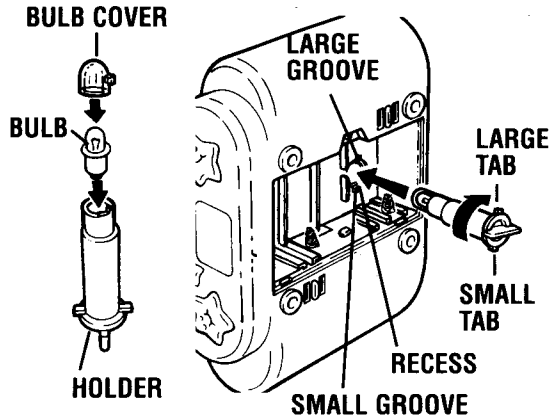
Note: When light does not glow, you need to replace light bulb.



1. Remove battery compartment door as described above. Remove batteries from compartment.



2. Turn light bulb holder counterclockwise, until tabs on holder align with grooves in holder recess. Pull holder out of recess.

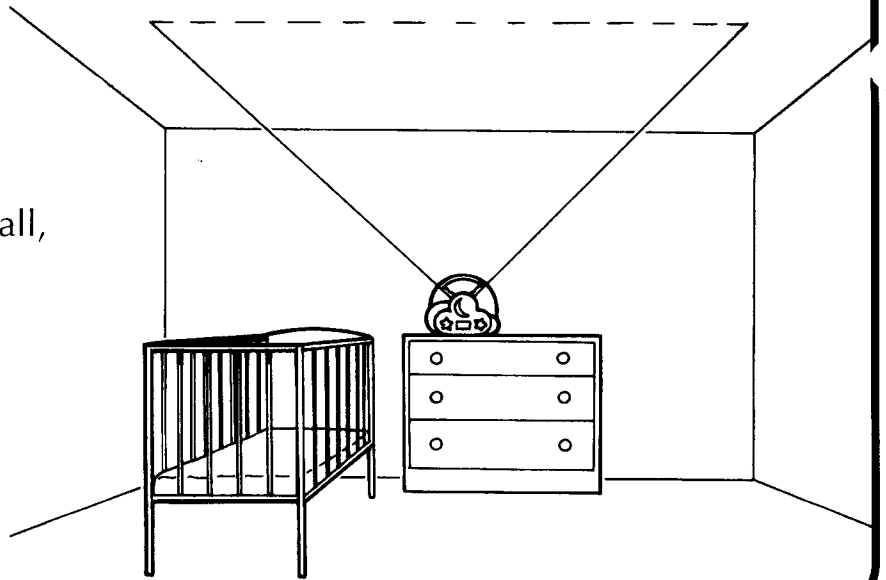


3. Turn bulb cover counterclockwise until tabs on cover align with grooves in holder. Remove bulb cover. Remove light bulb from holder. Insert a new PR-12 light bulb into holder. Align tabs on bulb cover with grooves in holder, replace cover, and turn cover clockwise to secure it in place. Insert holder into recess, aligning large tab with large groove, and small tab with small groove. Turn holder clockwise to secure it in place. Replace batteries and door, and tighten screw.

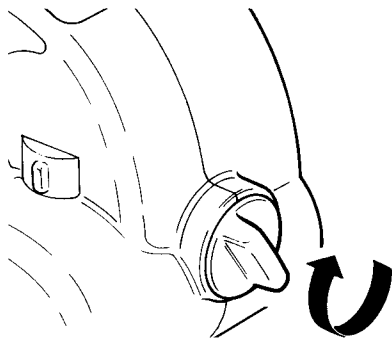
To Place Musical Moonbeam in the Room

For best viewing, place Musical Moonbeam at center point of wall, as shown.

CAUTION:
DO NOT PLACE
MUSICAL MOONBEAM
IN CHILD'S CRIB.

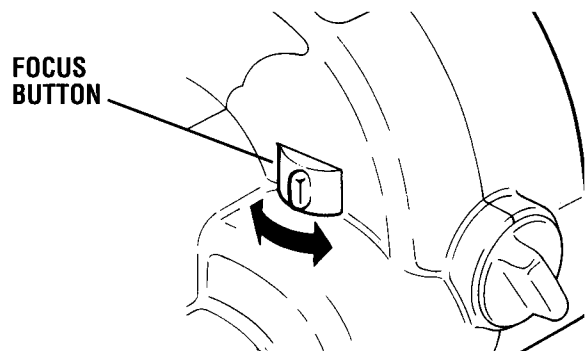


To Play the Music



Wind knob on side of Musical Moonbeam to hear "Brahms' Lullaby" play. The song will play for 6 minutes. The light automatically goes on when you wind the knob, and will automatically shut off when the music stops. NOTE: You do not need batteries to play the music, but you do need batteries to make the light glow.

To Adjust the Picture



If characters are not in focus, adjust picture with focus button located on side of Musical Moonbeam. Simply move button until characters are in focus.

Troubleshooting Tips

If the lights are getting dim...

Replace the batteries.

If there are no lights....

Replace the light bulb.

If the characters are out of focus...

Adjust the focus button.

