

My Busy Car

Ages 9-30 mos.

ASSEMBLY INSTRUCTIONS

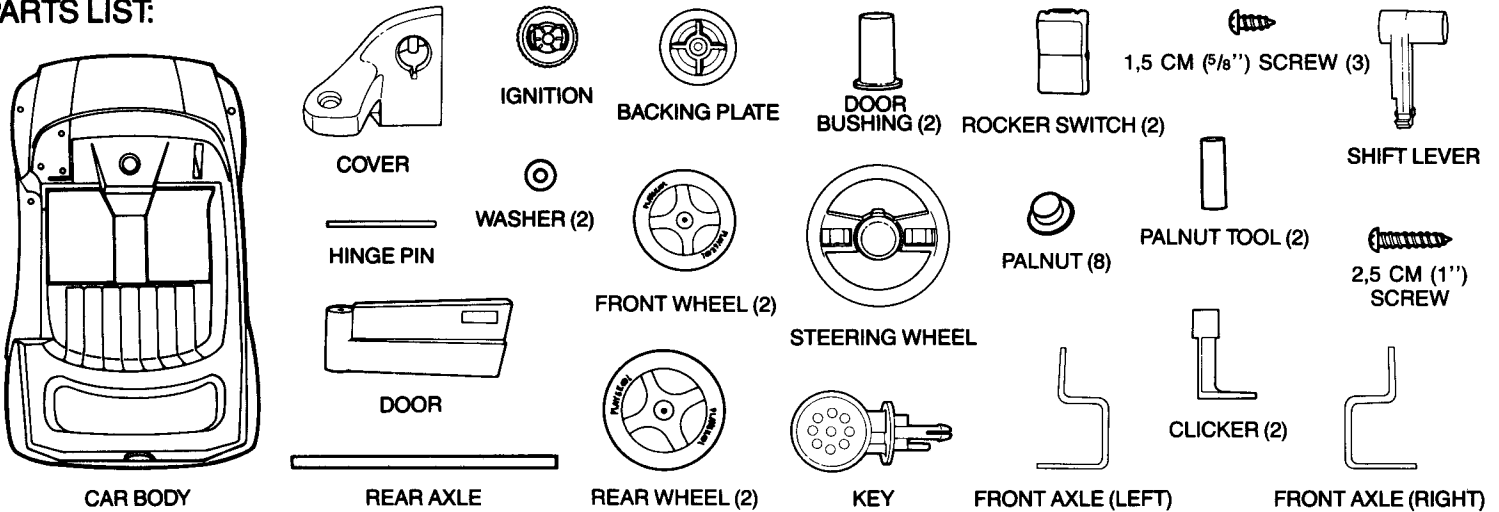
ADULT SUPERVISION REQUIRED WHEN USING THIS TOY

Adult Assembly Required. Tools Required (not included): Phillips Screwdriver, Hammer, Block of Wood.

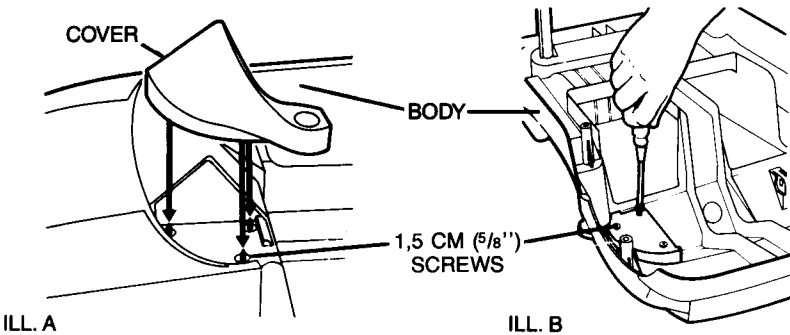
IMPORTANT: PLEASE MAKE PERIODIC INSPECTIONS OF ALL BUSY CAR HARDWARE TO ENSURE THAT IT IS SECURE.

WARNING: THIS RIDE-IN TOY IS NOT TO BE USED NEAR SWIMMING POOLS, ON OR NEAR HILLS, ROADWAYS, OR STAIRWAYS. SHOES MUST BE WORN AT ALL TIMES WHEN RIDING THIS TOY. DESIGNED FOR ONLY ONE RIDER AT A TIME.

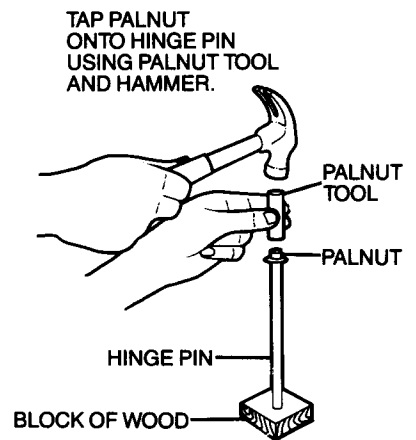
PARTS LIST:



1. Position COVER on dashboard as shown. (ILL. A). Turn CAR BODY upside down. Line up COVER holes with holes in BODY. With a Phillips screwdriver, fasten COVER to BODY with (3) 1.5 cm (5/8'') SCREWS. (ILL. B).

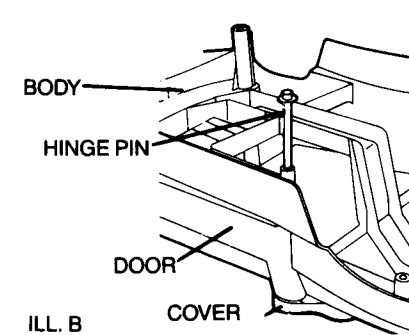
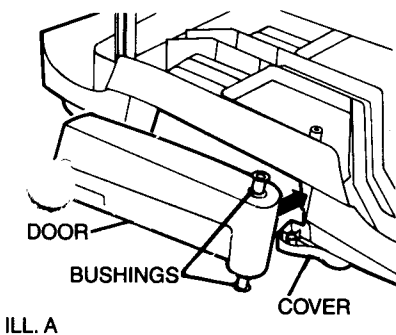


2. Rest one end of HINGE PIN onto block of wood, and place a PALNUT onto the other end. Place PALNUT TOOL over PALNUT and, with a hammer, gently tap the tool to secure PALNUT onto HINGE PIN.

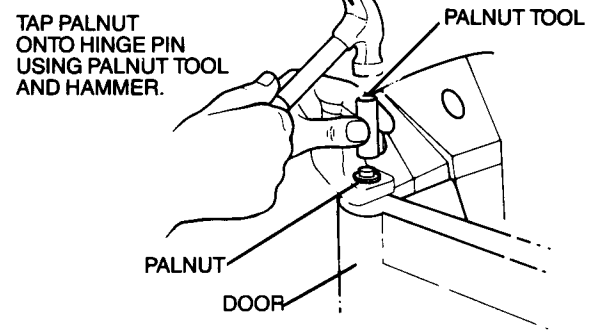


3. Fit BUSHINGS into top and bottom holes on DOOR, and fit DOOR between COVER and BODY (ILL. A).

Line up holes in BODY, DOOR and COVER. Starting from underneath, feed HINGE PIN through holes in BODY, DOOR and COVER (ILL. B).

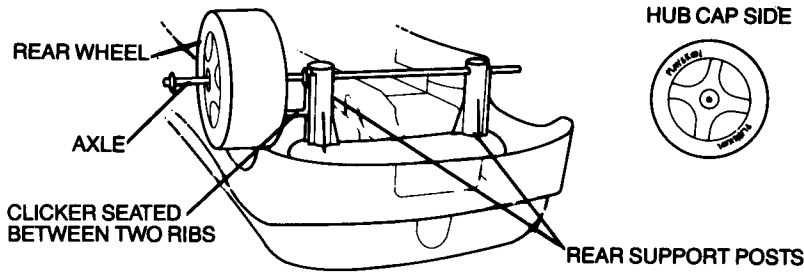


4. Turn body into upright position. Support HINGE PIN from underneath with block of wood. Using PALNUT TOOL and hammer, gently tap palnut onto other end of HINGE PIN.

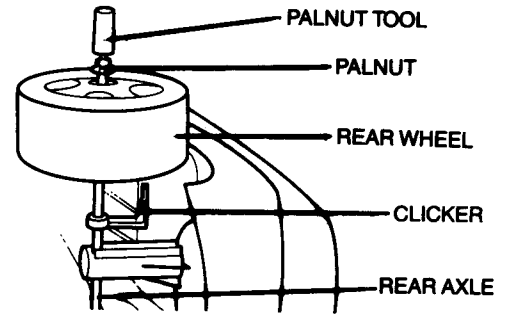


5. Rest one end of REAR AXLE onto block of wood, and gently tap PALNUT onto other end with a hammer and PALNUT TOOL. Slide REAR AXLE through hub cap side of REAR WHEEL (large wheel), then slide CLICKER onto axle as shown. Slide REAR AXLE assembly through rear support posts on body, making sure CLICKER is seated properly between two ribs on support post.

NOTE: For a car without the clicking sound, snip off the end of each clicker with large scissors.

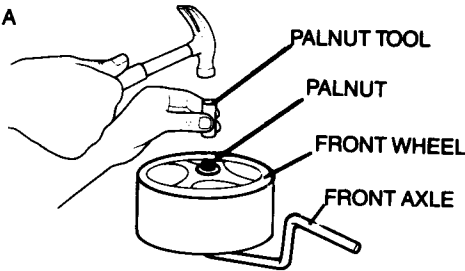


6. Lay vehicle on its side, wheel to the floor. Slide other CLICKER—clicker arm up—onto REAR AXLE. Slide other REAR WHEEL onto AXLE, hub cap side facing out. Using a block of wood and PALNUT TOOL to support the palnuted end of the axle, secure other PALNUT onto AXLE with hammer and second PALNUT TOOL.

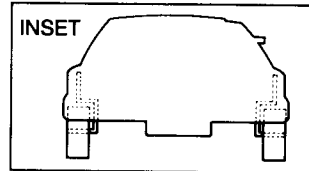


7. Slide one FRONT WHEEL (small wheel) onto FRONT AXLE as shown, making sure hub cap side of wheel faces out. With a hammer and PALNUT TOOL, tap PALNUT onto axle (ILL. A). Slide WASHER onto other end of FRONT AXLE. Feed FRONT AXLE/WHEEL ASSEMBLY into hole in FRONT AXLE SUPPORT on CAR BODY.

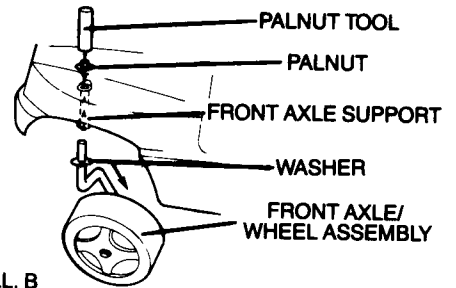
ILL. A



NOTE: THE FRONT AXLE/WHEEL ASSEMBLY MUST BE PLACED IN THE CORRECT FRONT AXLE SUPPORT AS SHOWN (INSET).

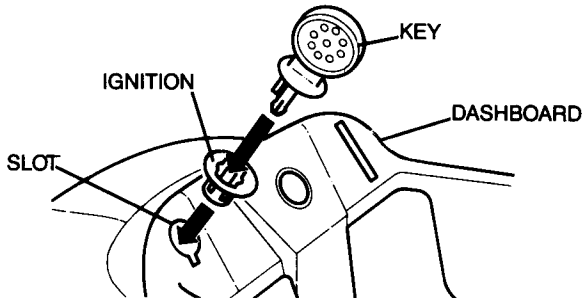


After the AXLE/WHEEL ASSEMBLY is properly installed, gently tap PALNUT onto top of axle with PALNUT TOOL and hammer. (ILL. B) Repeat step 7 to install other front wheel.

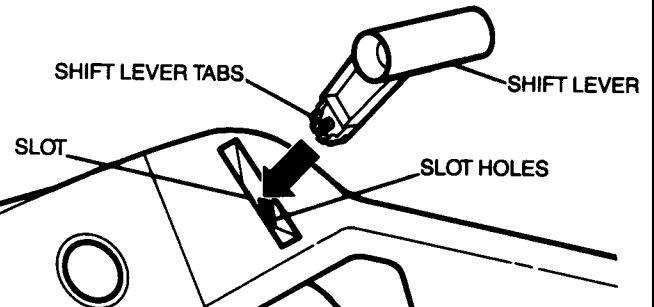


ILL. B

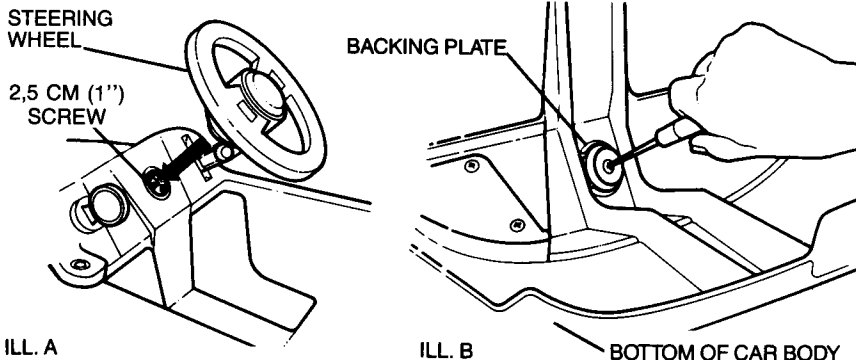
8. Insert IGNITION into hole on left side of dashboard by lining up tab with slot and pressing firmly with even pressure. Push KEY into IGNITION until it snaps firmly into place.



9. Snap SHIFT LEVER into slot on right side of dashboard by fitting shift lever tabs into slot holes.



10. To mount STEERING WHEEL, place STEERING WHEEL column over center hole on dashboard. (ILL. A) Secure from underneath BODY by tightening (1) 2,5 cm (1") screw through the BACKING PLATE and column hole with Phillips screwdriver as shown (ILL. B).



ILL. A

ILL. B

11. Snap ROCKER SWITCHES into STEERING WHEEL as shown.

