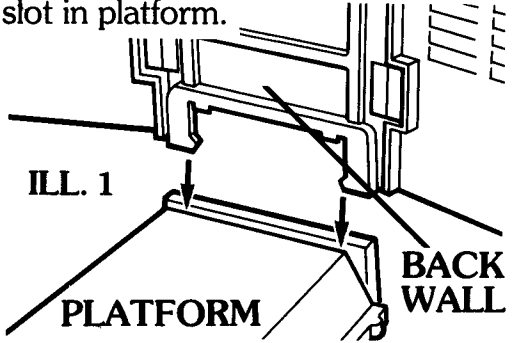


Instructions

My Little Pony Brush Me Beautiful Boutique™

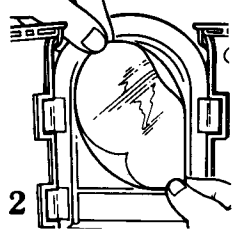


1. To attach platform to walls, slip ridge on back wall into slot in platform.

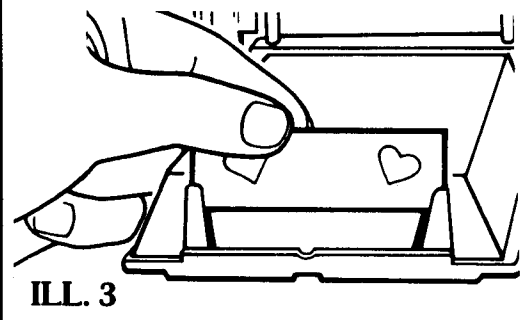


2. Peel the mirror label off the paper and apply to the back wall of the Boutique. Your ponies will see themselves as you dress and groom them on the platform. (ILL. 2)

If air bubbles appear, pierce them with a pin and smooth them out.



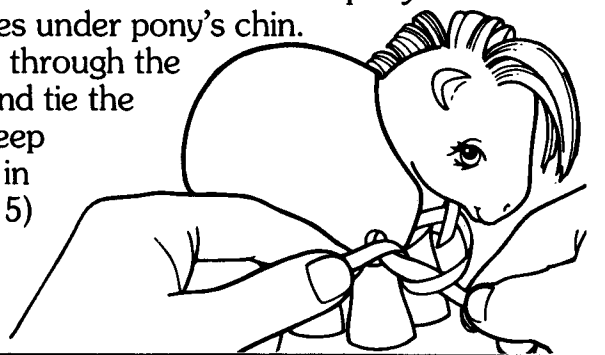
3. Insert name plaque into slot on holder. (ILL. 3)



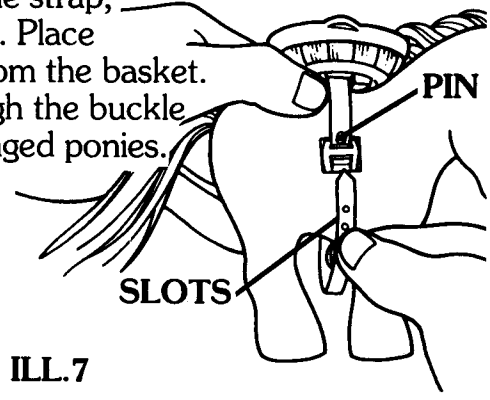
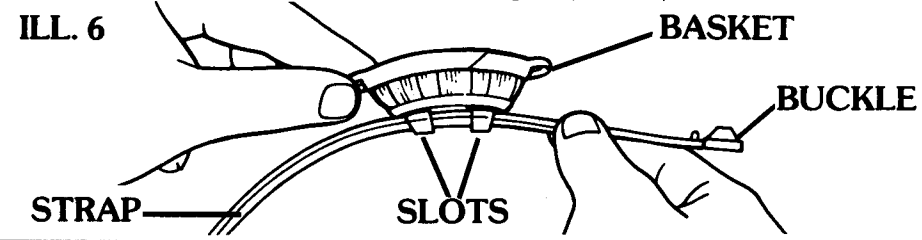
4. Both hats have holes to fit over your ponies' ears. (ILL. 4) Note: hats will not fit unicorn ponies.



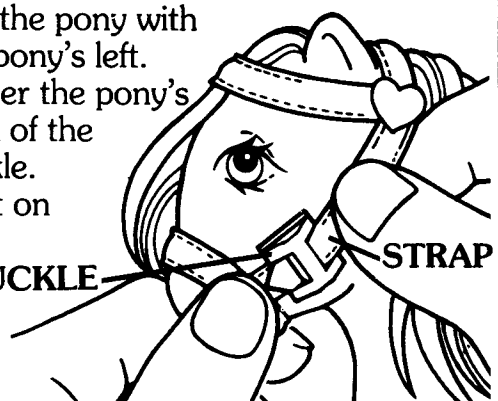
5. The blanket keeps your ponies nice and warm. Place the blanket on a pony's back with the two holes under pony's chin. Fit a ribbon through the two holes and tie the ribbon to keep the blanket in place. (ILL. 5)



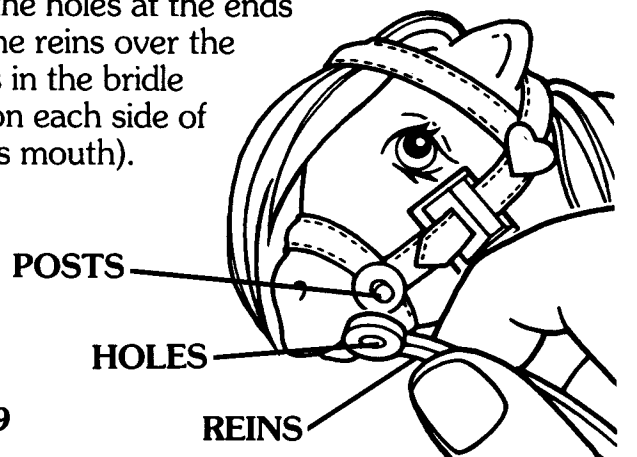
6. Your ponies can take Catnip™ the kitty for a ride in the basket. Fit the strap, with the buckle facing up, through the slots under the basket (ILL. 6). Place the basket on a pony's back with the buckle hanging only about an inch from the basket. Wrap the strap around and under the pony. Fit the end of the strap through the buckle and place one of the slots over the pin (ILL. 7). Note: basket will not fit winged ponies.



7. Remove hat from pony's head when putting bridle on pony. Place the front of the bridle over the mouth of the pony with the buckle on the pony's left. Wrap the bridle over the pony's ears. Snap the end of the strap into the buckle. (ILL. 8) Place a hat on the pony's head, if you wish.



8. Fit the holes at the ends of the reins over the two posts in the bridle (located on each side of the pony's mouth). (ILL. 9)

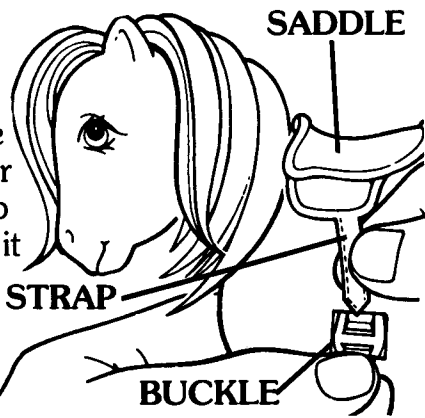


ILL. 8

ILL. 9

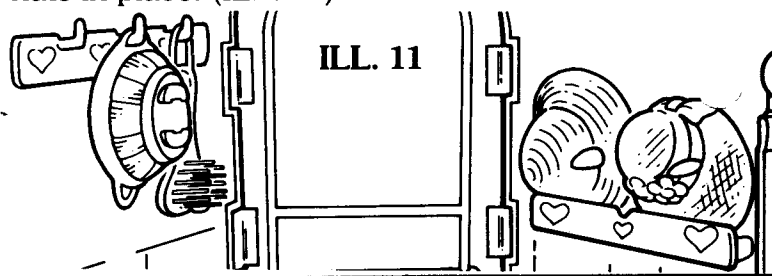
9. To put the saddle on a pony, place the saddle on the pony's back with the buckle on the pony's left. Wrap the buckle around and under the pony. Place the strap through the buckle until it fits into place. (ILL. 10) Note: saddle will not fit winged ponies.

ILL. 10

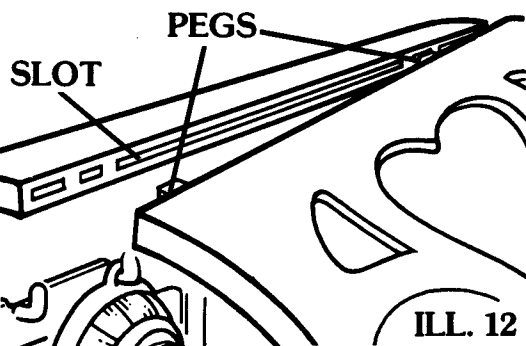


10. The hooks inside the Boutique are to hang your ribbons, bridle, reins, basket and other pony accessories. You can hang more than one accessory on a hook. Use the hat rack to hold the hats in place. (ILL. 11)

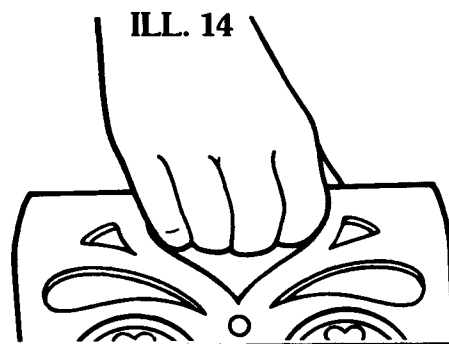
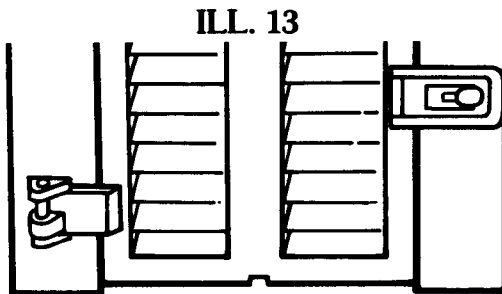
ILL. 11



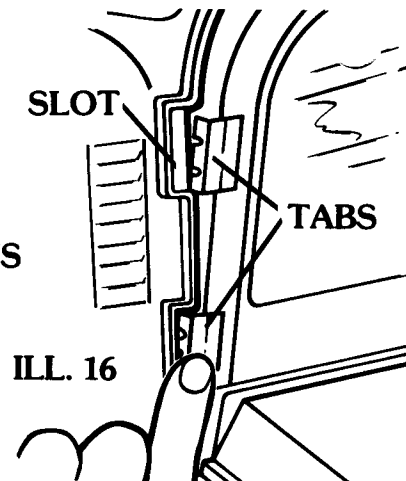
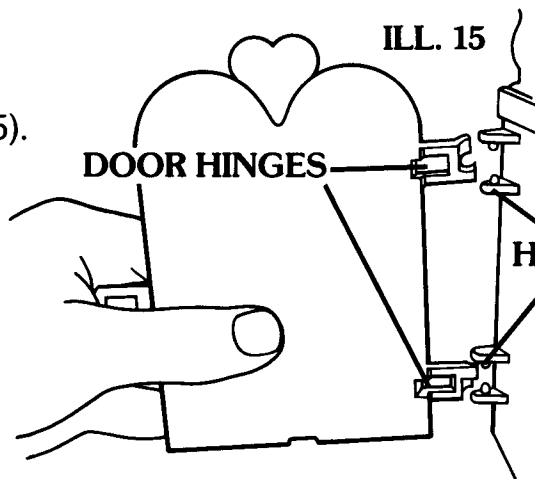
11. Carry the Boutique and accessories wherever you go! You can also fit several ponies and other accessories (not included). Close the Boutique by fitting the two pegs on one side into the long slot on the other side (ILL. 12). Close and latch the front door (ILL. 13). Carry the Boutique by the two open hearts at the top. (ILL. 14)



ILL. 12

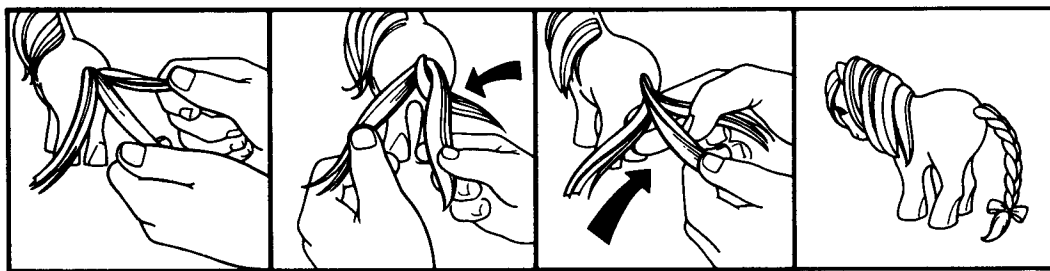


12. If the door happens to come off during play, firmly snap the door hinges into the hinge pins, as shown (ILL. 15). If a side of the Boutique comes off during play, firmly snap its tabs into the slot in the back wall of the Boutique (ILL. 16)



13. Use the comb and brush to style your ponies' hair and keep it silky and soft. Braid your ponies' hair and tie it with ribbons. (ILL. 17)

ILL. 17



1. Divide the tail into three equal sections.

2. Cross the right sections over the middle. Bring the left section into the middle.

3. Continue until you reach the end of the tail. Tie with a ribbon.