

# My Little Pony™

## Paradise Estate™ INSTRUCTIONS

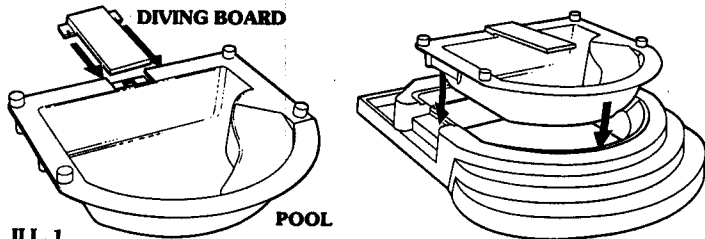
You will need a large area, such as a table top or floor area, to assemble the Paradise Estate. When complete, the Paradise Estate measures 37 1/2" wide x 32 1/2" deep X 12 1/2" high.

Remove all pieces from the nine plastic bags. If you wish, you may also twist off the pieces on the runner frames.

### Diving Board and Pool:

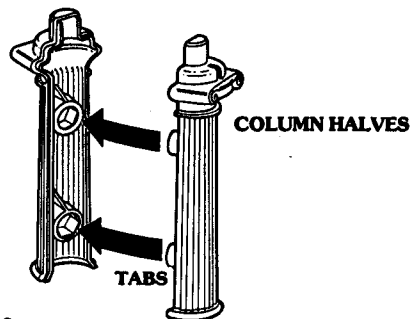
1. Slide diving board onto the edge of pool and snap into place as shown. (ILL. 1)

NOTE: It is recommended that pool be filled after all assembly of the Paradise Estate is complete. Fill a bottle or container with cool tap water and pour it into the pool, or lift pool from base and fill it under faucet before returning it to base. To discard water, carefully lift pool from base and pour water down the drain.



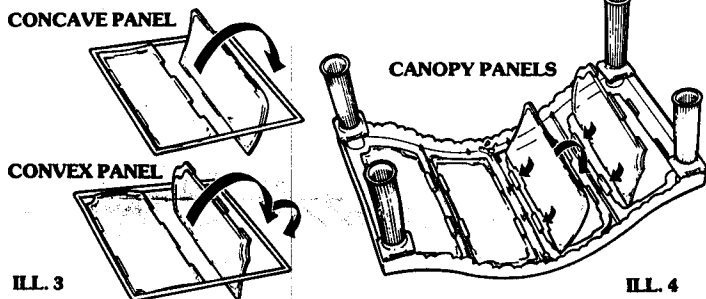
ILL. 1

2. Snap column halves together to form 4 separate columns. Place assembled columns into the 4 holes in canopy frame from the underside. Rotate column until it snaps into place. Press to secure in place. (ILL. 2)



ILL. 2

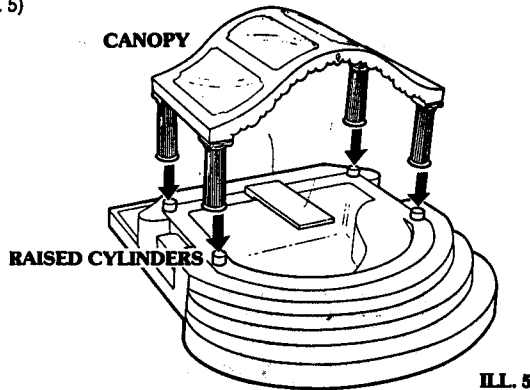
3. Remove the two pairs (4 pieces) of canopy panels from runner frames. (There is one concave and one convex panel on each frame). (ILL. 3) Fit corresponding panels into holes in canopy frame and snap into place. (NOTE: Panels are identified with letters "A" and "B" on the corners. "A" and "B" are also marked on the underside of the canopy. With the letters facing you, snap the panels into the underside of the canopy so that the "A's" and "B's" line up).



ILL. 3

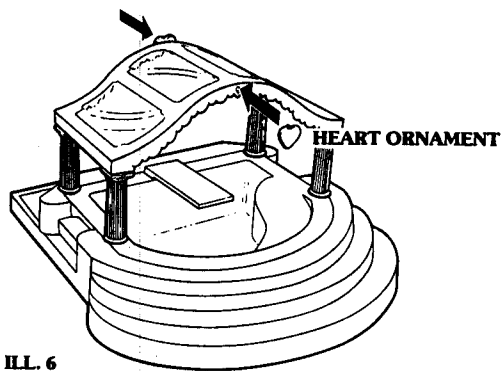
ILL. 4

4. Place assembled canopy onto raised cylinders around edge of pool as shown. (ILL. 5)



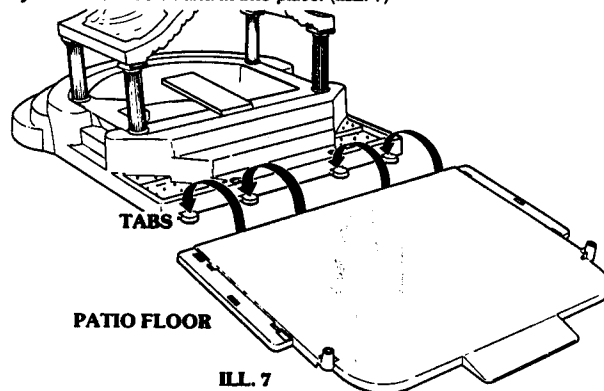
ILL. 5

5. Attach the heart ornaments on both sides of the canopy frame by inserting tab on heart into hole in canopy. (ILL. 6)



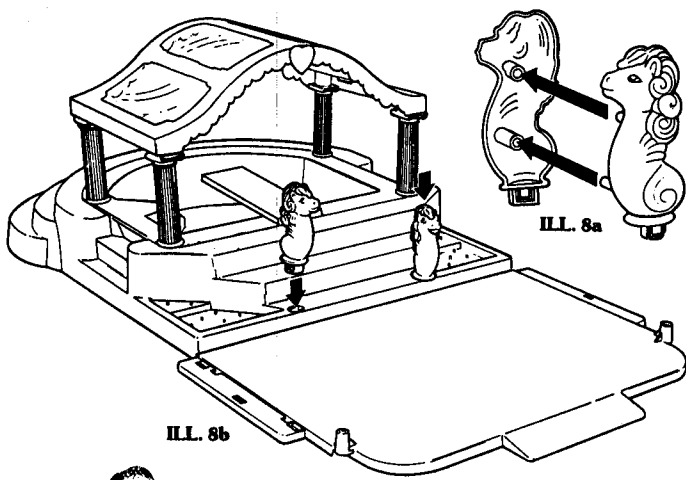
ILL. 6

6. Place patio floor in front of pool stairway. Lift floor over tabs extending from stairway. Press floor down and fit into place. (ILL. 7)



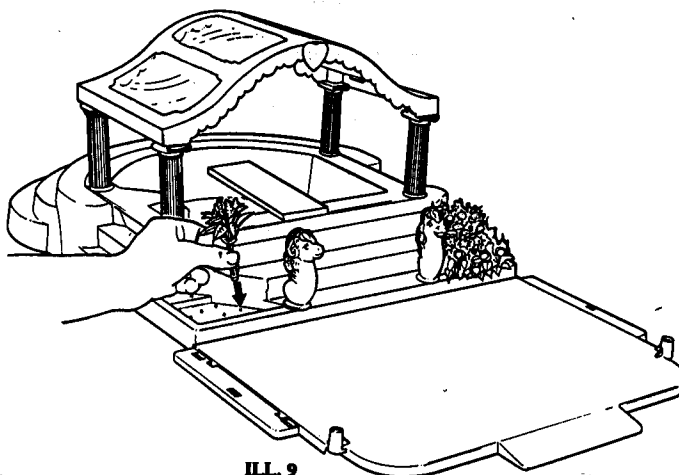
ILL. 7

7. Snap halves of sea pony statues together. (ILL. 8a) Place statues along staircase and snap into place. (ILL. 8b)



ILL. 8b

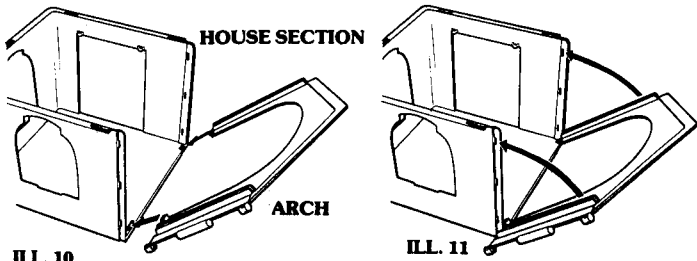
8. Plant flowers in gardens located on both sides of pool stairway by inserting stems on pegs. (ILL. 9) You can arrange the colorful flowers any way you'd like.



ILL. 9

To assemble rooms of house, first match arches with corresponding number on house sections. There will be two arches marked 1 that will go with the two house sections marked 1, and two arches marked 2 to go with house sections marked 2. The numbers are located on peak of arch and bottom of house section.

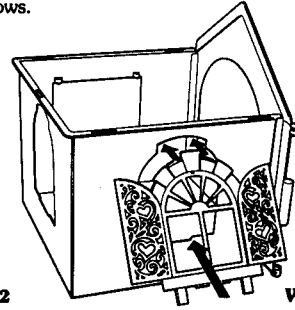
9. Insert arch pegs into holes in front of house section. (ILL. 10) Push arch and house section together fitting long tab of house into groove behind arch. (ILL. 11) Repeat this procedure for all four house sections.



ILL. 10

ILL. 11

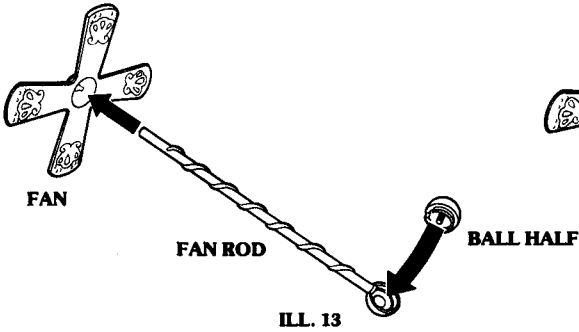
10. Place window just below opening on wall and slide it upward locking the top in place. Swing bottom of window into opening until it latches. (ILL. 12) Repeat this procedure for all windows.



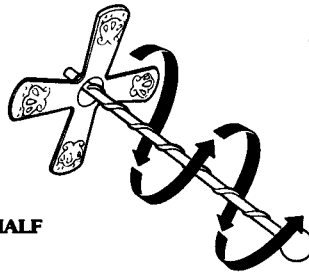
ILL. 12

WINDOW

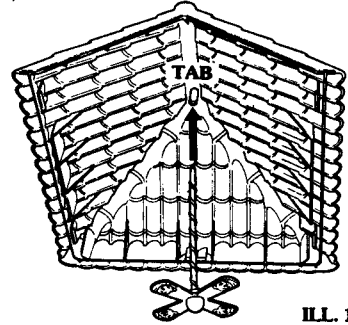
11. Remove pieces of ceiling fan from runner frame. Press other half of ball to fan rod. (ILL. 13) Insert fan rod into slot on decorated side of fan. (ILL. 14) Spin fan down rod until it rests on ball. Insert rod into tab under roof. (ILL. 15)



ILL. 13

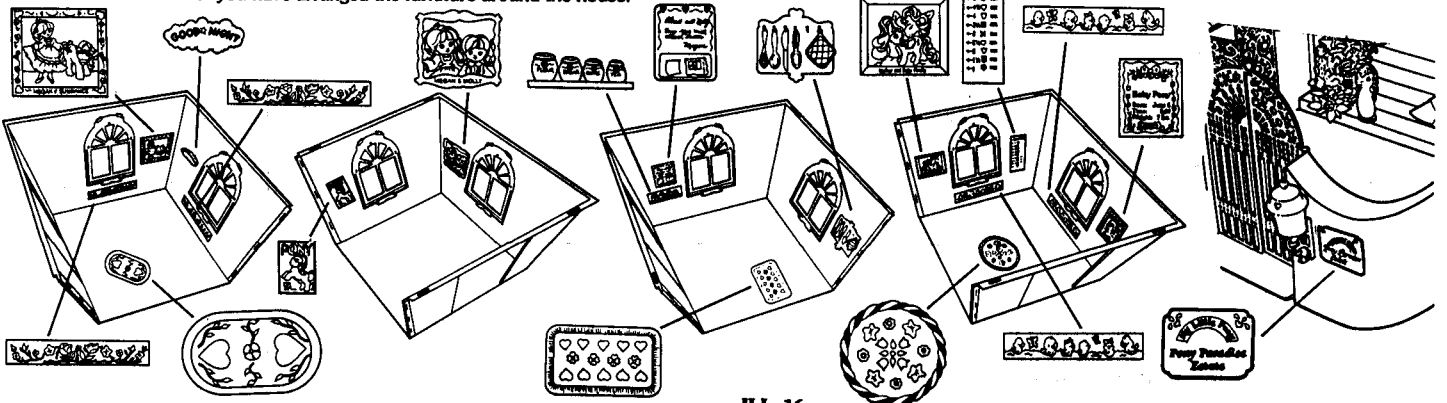


ILL. 14



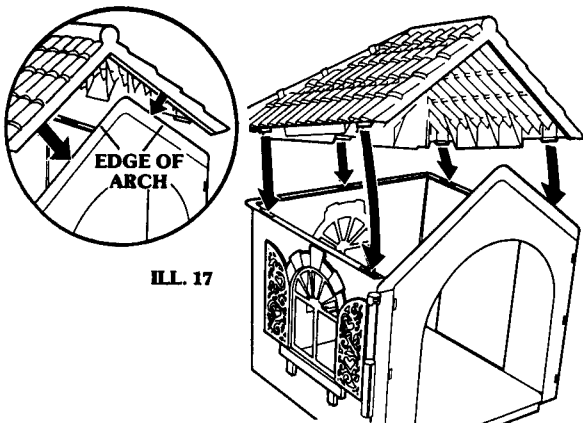
ILL. 15

12. Peel and apply labels in rooms as shown. (ILL. 16) It is recommended that you place the carpet stickers on the floor after you have arranged the furniture around the house.



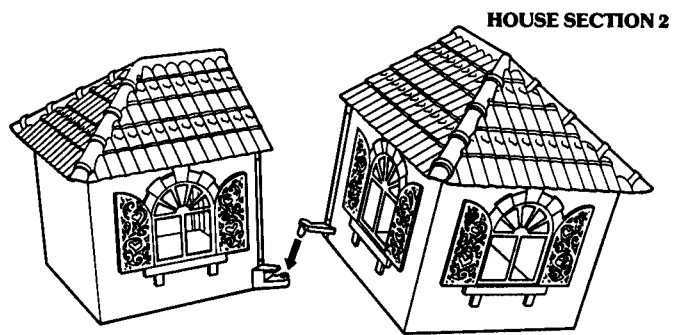
ILL. 16

13. Place roof tops over house sections. Fit edge of arch into groove in roof then snap roof tabs into wall slots. (ILL. 17)



ILL. 17

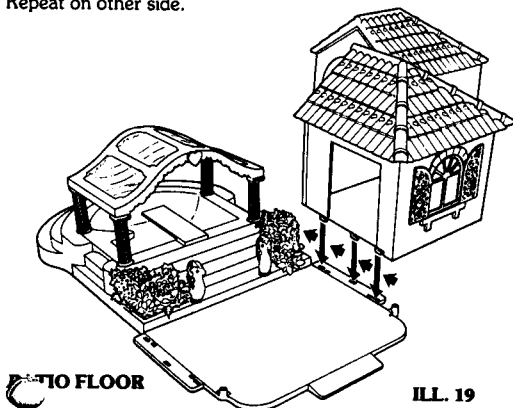
14. Place house section 1 and house section 2 together to form sides of Estate as shown. Be sure that hinges are facing outward. Lift corners of house and fit tab into hole to join house sections together. Gently set house down into place. (ILL. 18) Rear house sections should swing open for easy access to all corners of the Estate.



HOUSE SECTION 1

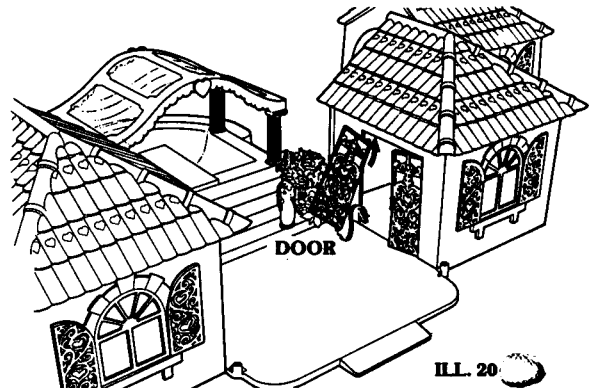
ILL. 18

15. Slide tabs on house into slots in patio floor. Push house unit towards pool. (ILL. 19). Repeat on other side.



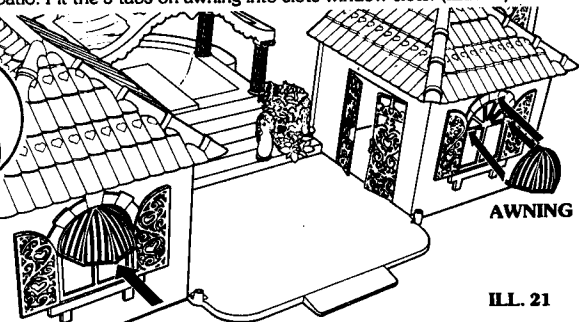
ILL. 19

16. Bend patio door slightly, with handle facing outward towards patio, and fit tabs into top and bottom of doorway. (ILL. 20) Repeat on opposite doorway.



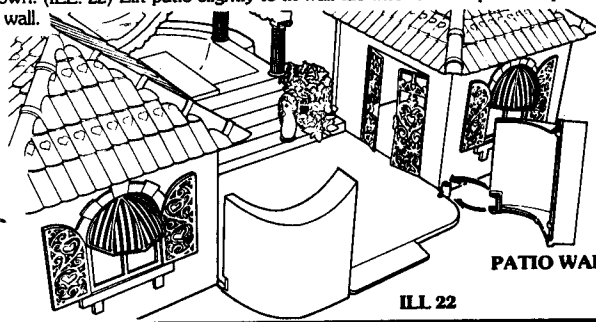
ILL. 20

17. Apply smaller size fabric labels to awnings as shown. Place awnings on front windows near patio. Fit the 3 tabs on awning into slots window slots. (ILL. 22)



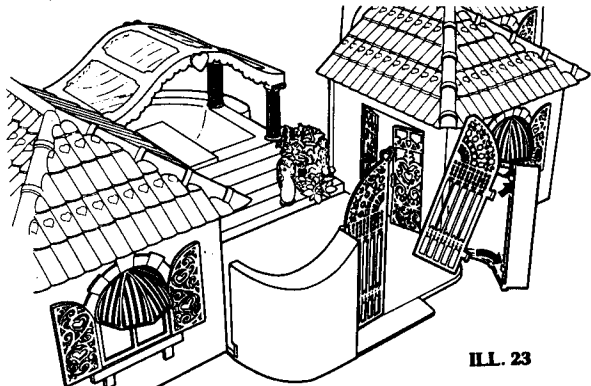
ILL. 21

18. Place left and right patio walls in front of patio so that textured sides face outward as shown. (ILL. 22) Lift patio slightly to fit wall tab into tube on patio. Repeat with other wall.



ILL. 22

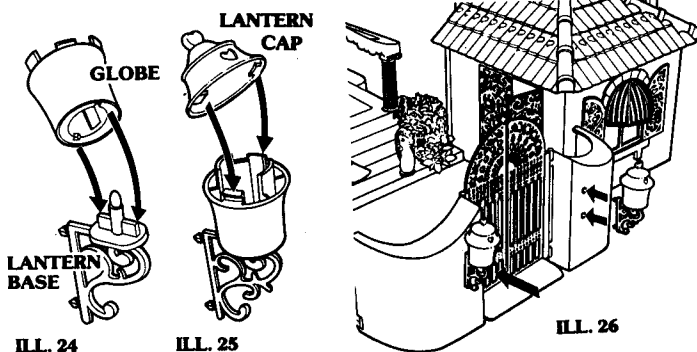
19. Attach left and right patio gates on each wall by placing top door tab under top wall hinge and bottom door tab above bottom wall hinge. Bend door slightly and snap into place. (ILL. 23) Repeat with other door.



ILL. 23

**To assemble lanterns:**

20. Place lantern base into globe so grooves meet. (ILL. 24) Snap into place. Cover assembled base with lantern cap with heart cut-outs in front of blue tabs. (ILL. 25) Affix lanterns to patio walls by inserting tabs into wall holes. (ILL. 26)

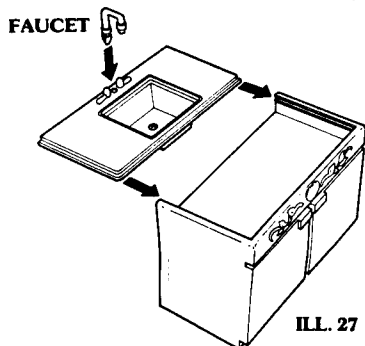


ILL. 24

ILL. 25

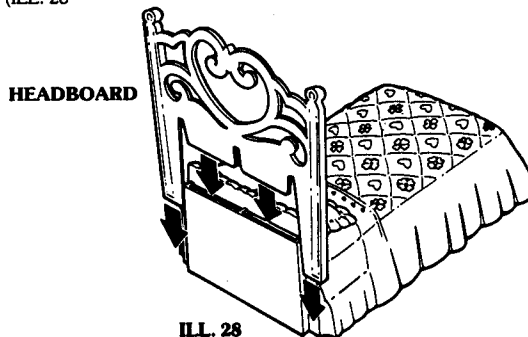
ILL. 26

21. Slide sink counter top and cabinet base together. Remove faucet from runner frame. Place tab on faucet into hole in sink as shown. (ILL. 27)



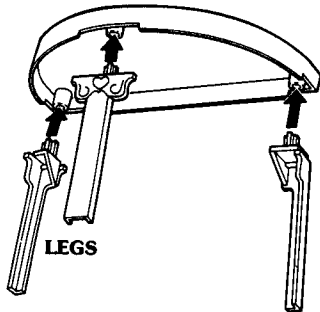
ILL. 27

22. Attach headboard to bed by pressing the two together and snapping into place. (ILL. 28)



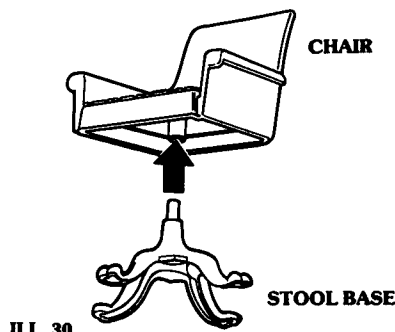
ILL. 28

23. Remove the 3 legs of the breakfast counter from runner frame. Place legs into holes in table. (ILL. 29)



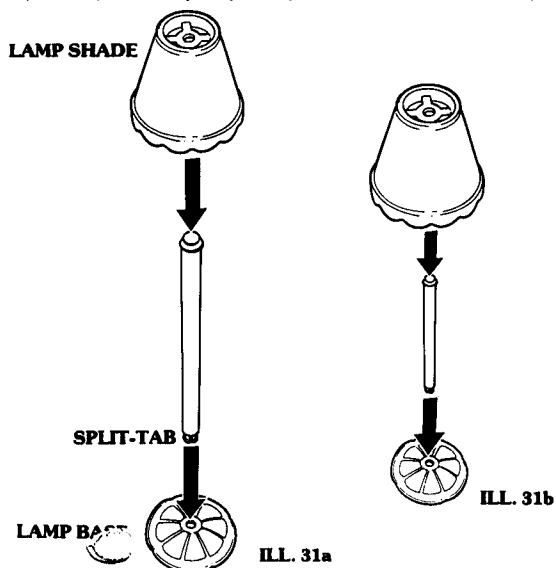
ILL. 29

24. Place stool base into hole under chair. (ILL. 30) Repeat with other stool.



ILL. 30

25. Remove both lamp bases from runner frame. Insert split-tab on long lamp pole into hole in large lamp base. (ILL. 31a) Repeat with shorter lamp pole and smaller base. (ILL. 31b) Place lamp shades atop of assembled bases and snap into place.

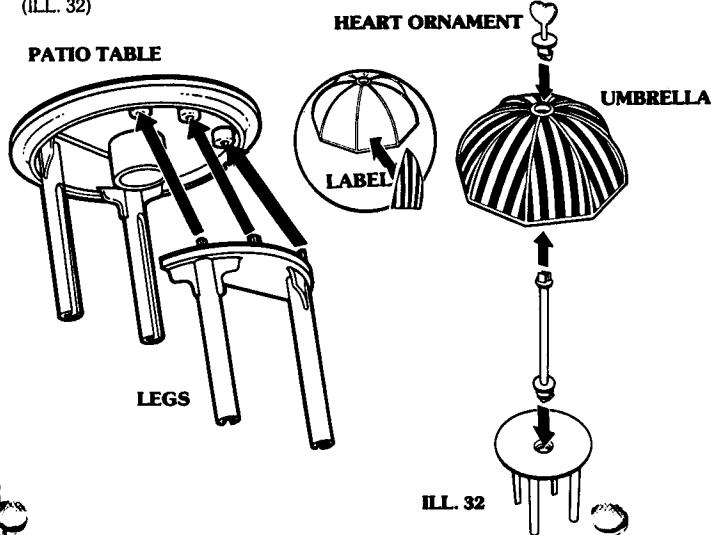


ILL. 31a

ILL. 31b

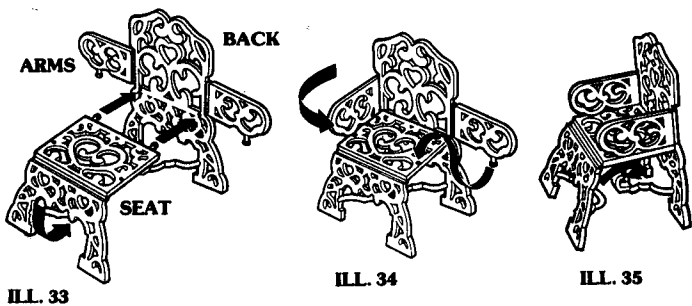
**To assemble patio furniture:**

26. Insert table legs into holes under table top. Insert wide, circular tab into hole in table top. Apply larger size fabric labels to umbrella as shown. Place umbrella on top of rod. Turn it until it drops into place. Top off umbrella with heart ornament. (ILL. 32)

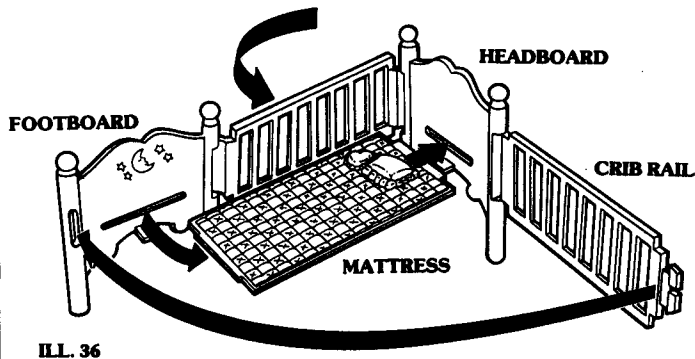


ILL. 32

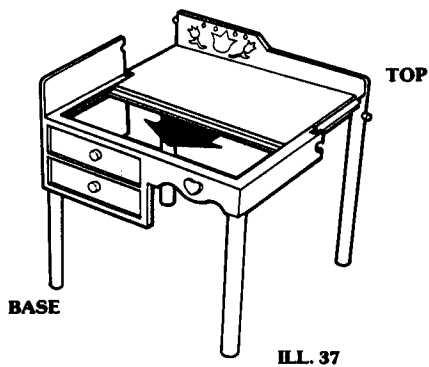
27. Fold legs of patio chair. Attach seat to back of chair by fitting tabs into place as shown. (ILL. 33) Insert tabs on seat into holes in chair's back. Fold arms toward seat and fit arm tabs into holes in seat. (ILL. 34) Connect bars between chair legs by hooking loops together. (ILL. 35) Repeat with other chair.



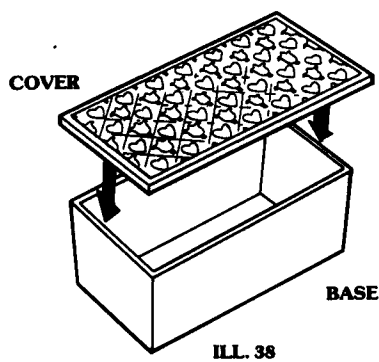
28. To assemble crib, snap mattress into headboard groove. Erib rails up to meet sides of mattress. Fold footboard around the ends to form crib. Secure with fastener and snap it closed. (ILL. 36)



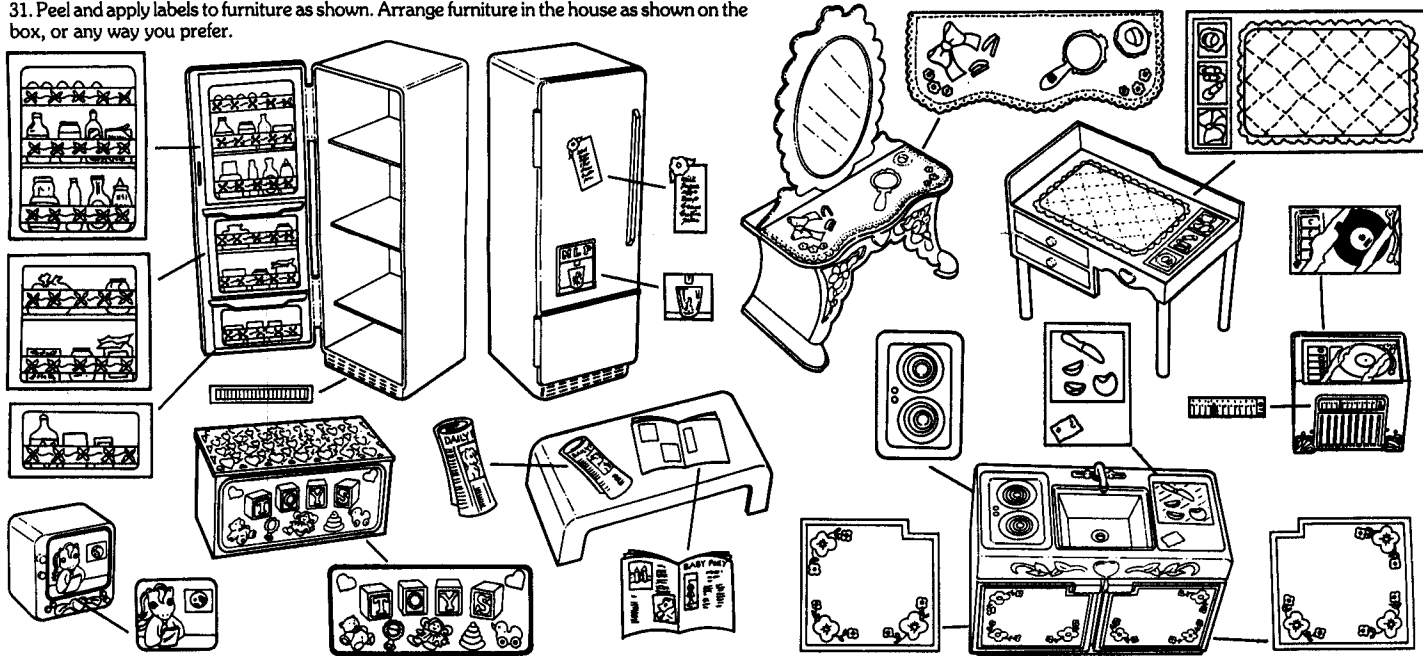
29. Slide top of changing table over base and snap into place. (ILL. 37)



30. Place cover of toy box over base. (ILL. 38)



31. Peel and apply labels as shown. Arrange furniture in the house as shown on the box, or any way you prefer.



### PARADISE ESTATE™

The ponies were spending a relaxing afternoon at the Paradise Estate when Shady burst onto the patio. "My sunglasses are missing!" she cried anxiously.

Cupcake, who was preparing a snack in the kitchen, raced outside. "What's all the fuss about?" she asked. "Shady lost her sunglasses," Sweet Stuff answered between sips of pink lemonade. "My MAGIC sunglasses," Shady corrected her. "And they do some strange things," she warned.

The ponies organized a search party to look for the glasses. Truly inspected the living room, but all she found was Wind Whistler dancing around the room with stereo headphones wrapped over her ears. Ribbon checked the nursery but had to be very, very quiet because the baby ponies were taking a nap. Fizzy hunted outdoors, clumsily knocking over chairs as she looked around. But the sunglasses were no where to be found! The ponies met on the patio, hoping someone had found the glasses. "No luck," Shady sighed disappointedly.

Just then a large THUMP came from the direction of the swimming pool. There was Ripple, the baby sea pony, sitting on the bottom of the empty pool, wearing Shady's sunglasses. "Where'd the water go?" she asked, not realizing the magic sunglasses made the pool appear full.

The ponies laughed as they filled the pool. When the pool was full, Shady's sunglasses made the waves jump up, down and around for a magical game of water tag. "Jump in," Shady urged, passing her sunglasses to the next swimmer on the diving board. The ponies splished and splashed for the rest of the afternoon, happy that Shady's sunglasses had been found.

4900