

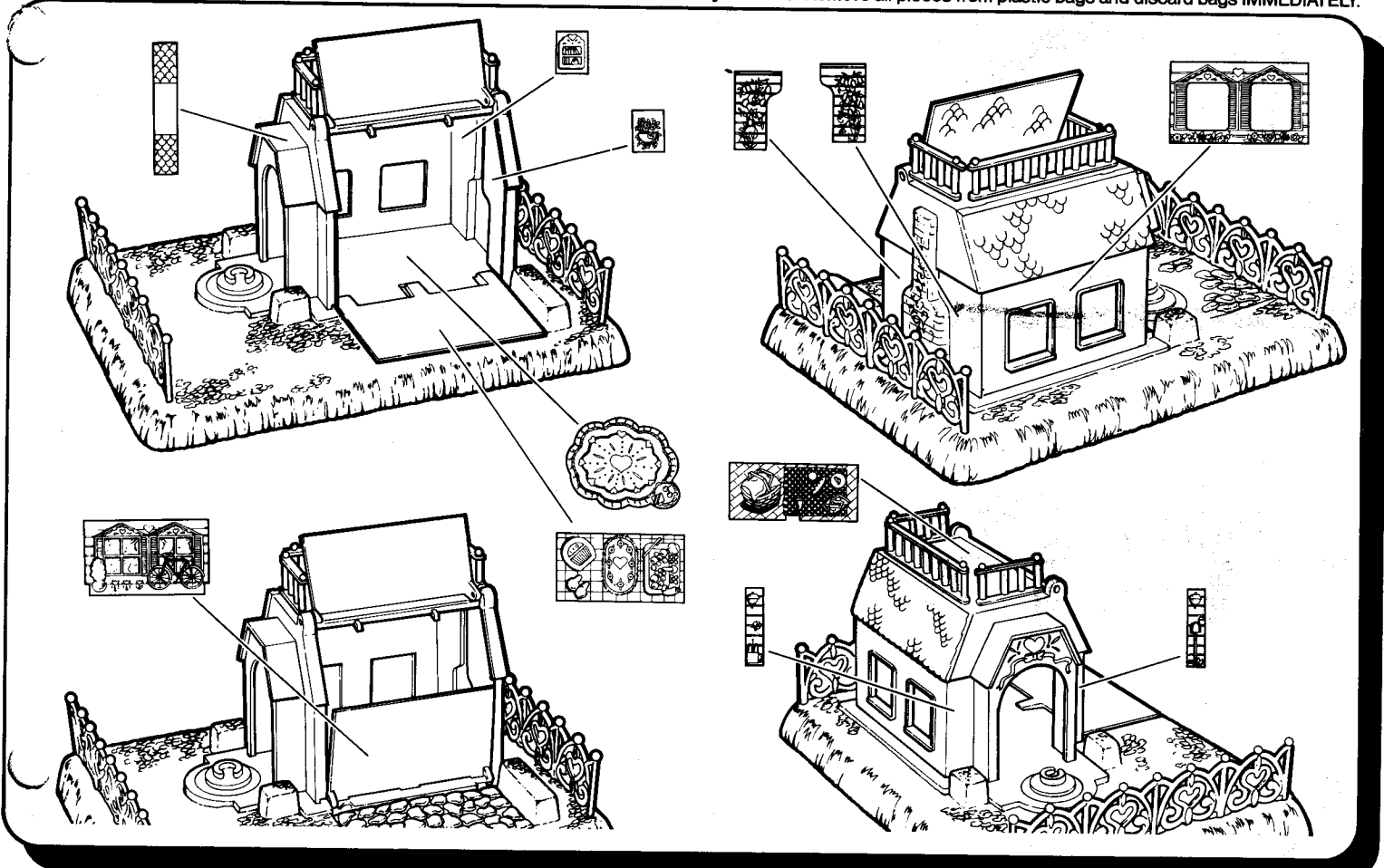
My Little Pony

Petite Ponies

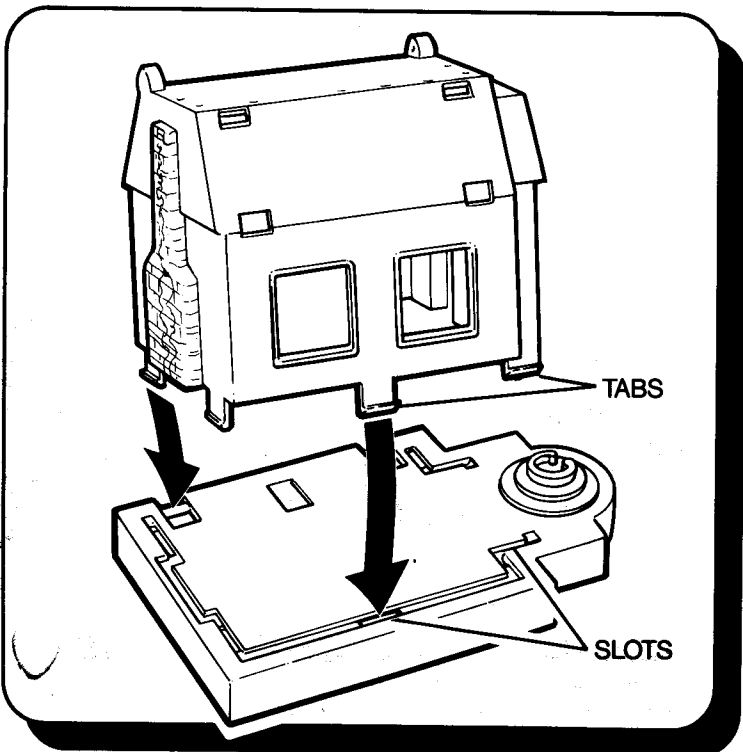
Happy Hearts Cottage™

Instructions

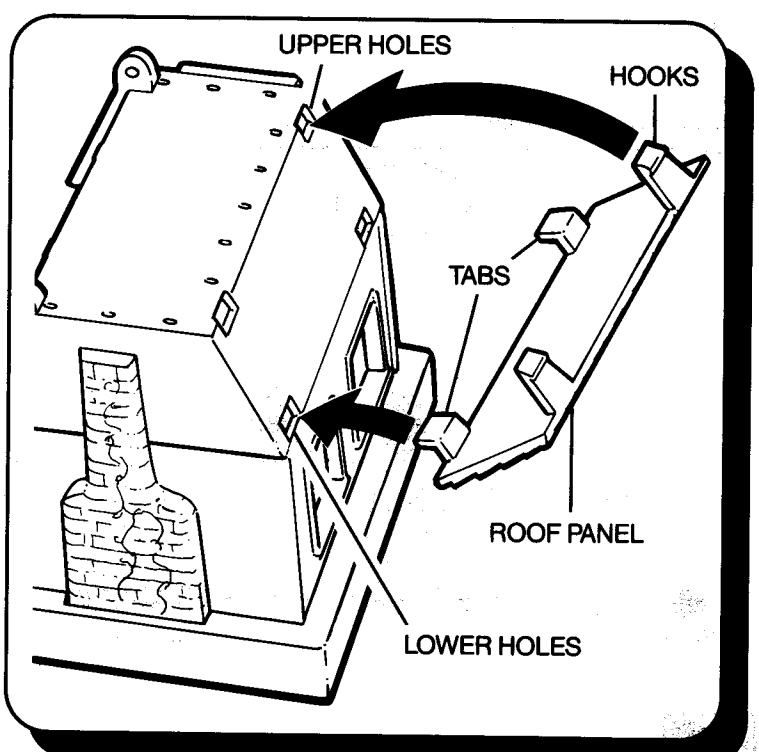
Remove all pieces from plastic frames. If you have difficulty, have an adult use safety scissors. Remove all pieces from plastic bags and discard bags IMMEDIATELY.



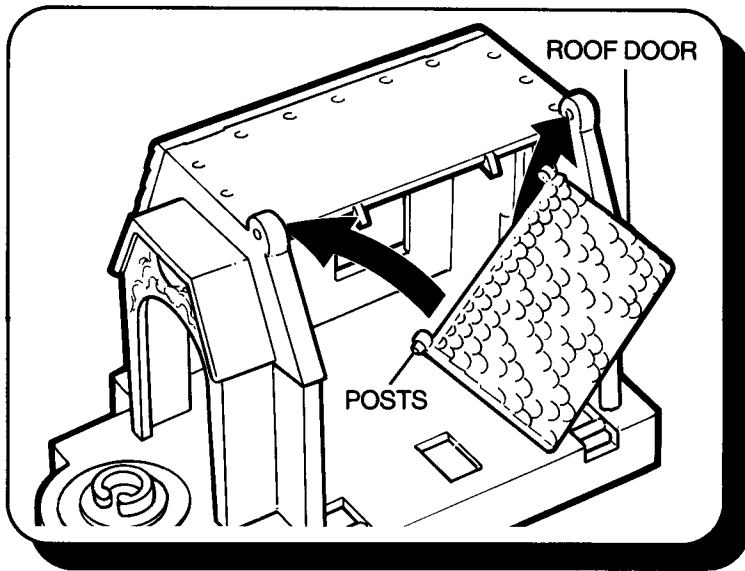
1. Before assembling home, peel and apply labels as shown.



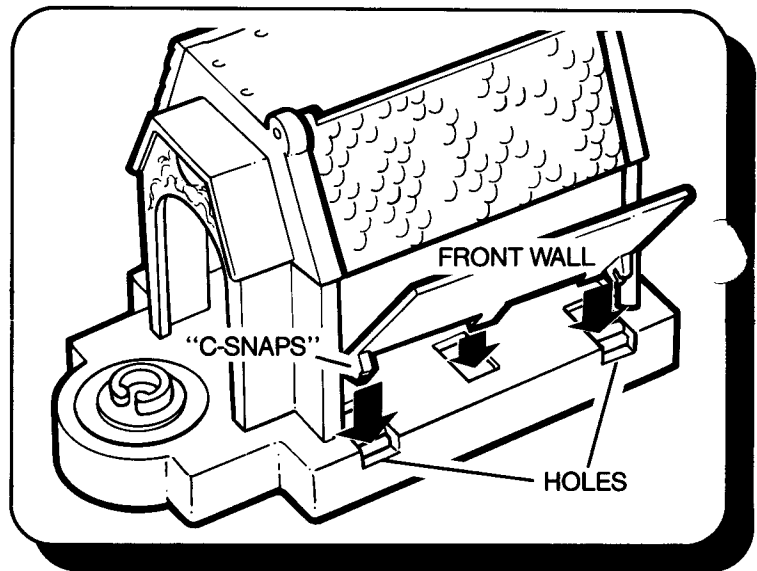
2. Snap tabs on house into slots in base.



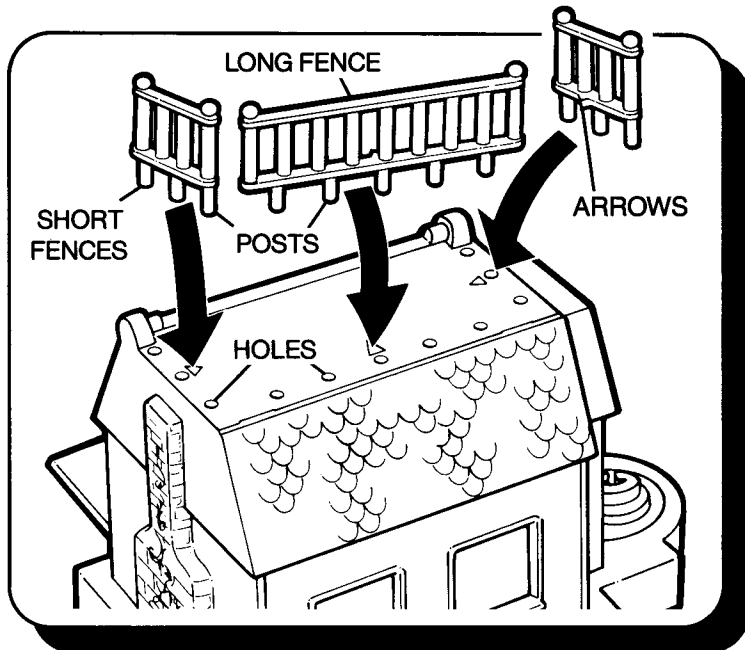
3. Insert tabs on roof panel into lower holes in roof, then snap hooks on roof panel into upper holes in roof.



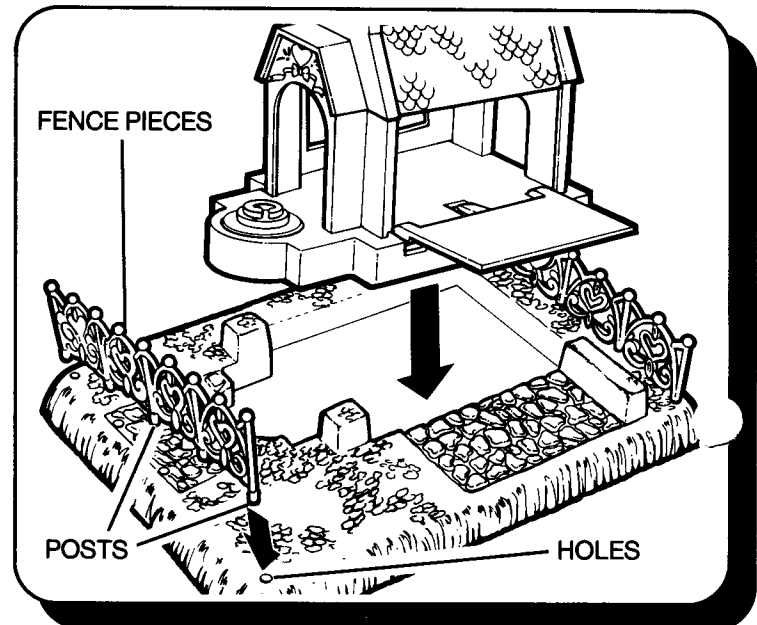
4. Snap posts on roof door into walls in house.



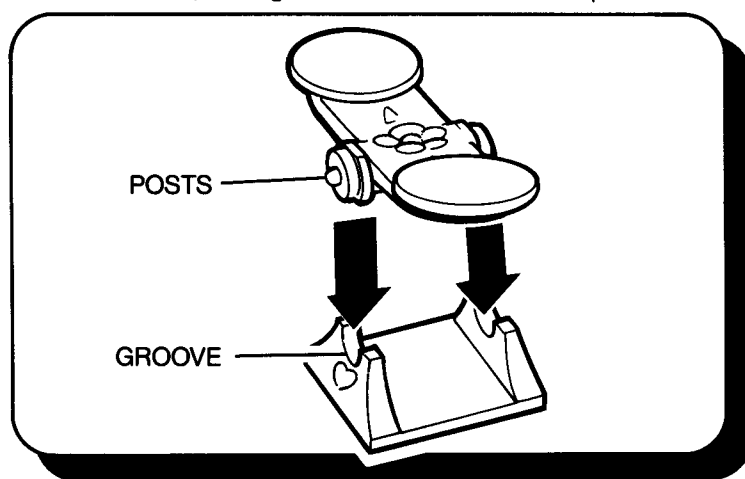
5. Press "C-snaps" on front wall around post in hole located in base of house.



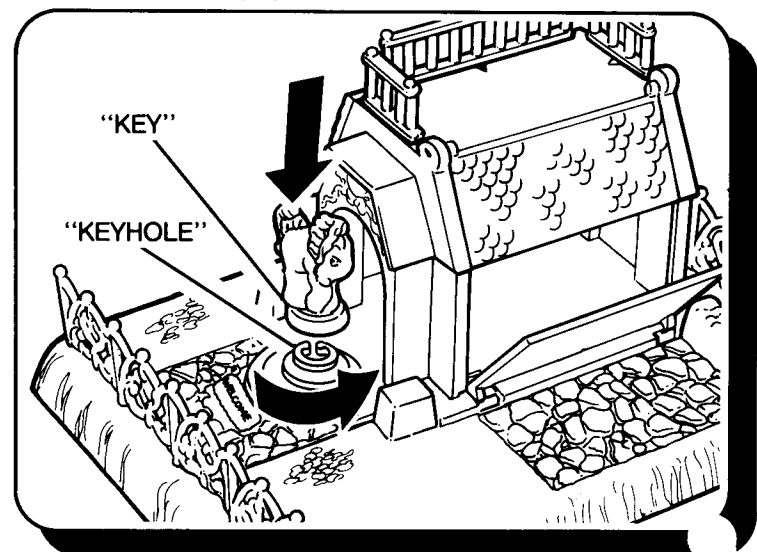
6. Insert posts on long fence piece into holes in roof, making sure arrow on bottom rail points inward. Insert posts on short fence pieces into holes in roof, making sure arrows on bottom rails point inward.



7. Place assembled house on playbase. Insert posts on fence pieces into holes in playbase.



8. Place posts on seesaw top into grooves in seesaw base.



9. To open home, place Petite Pony "key" (located under pony's feet) into circular "keyhole" in base, aligning "U"-shaped groove in key with "U"-shaped ridge in keyhole. Turn pony a quarter of a turn. Front wall will swing open.

