

4877 / 4497 ASST

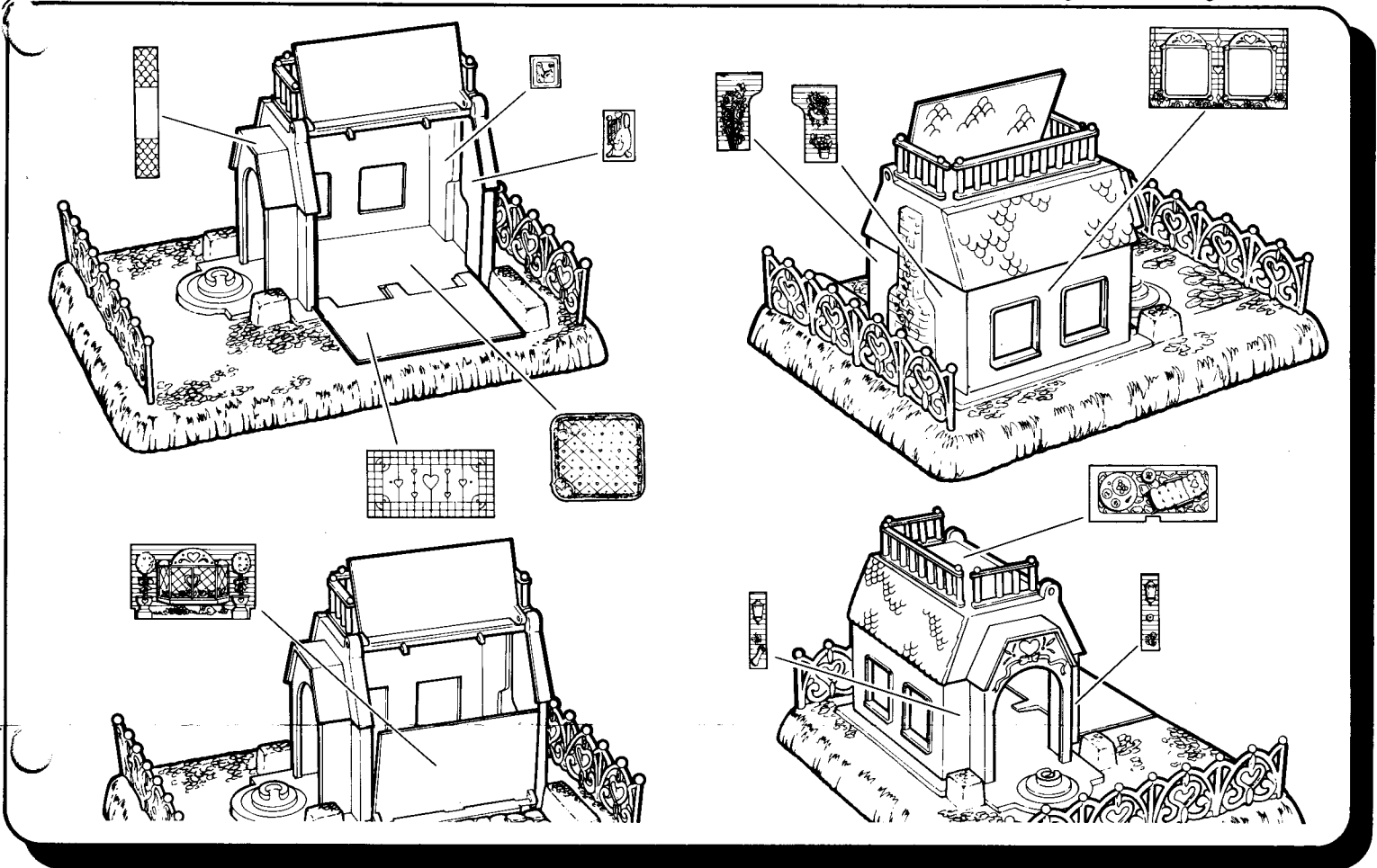
My Little Pony

# Petite Ponies™

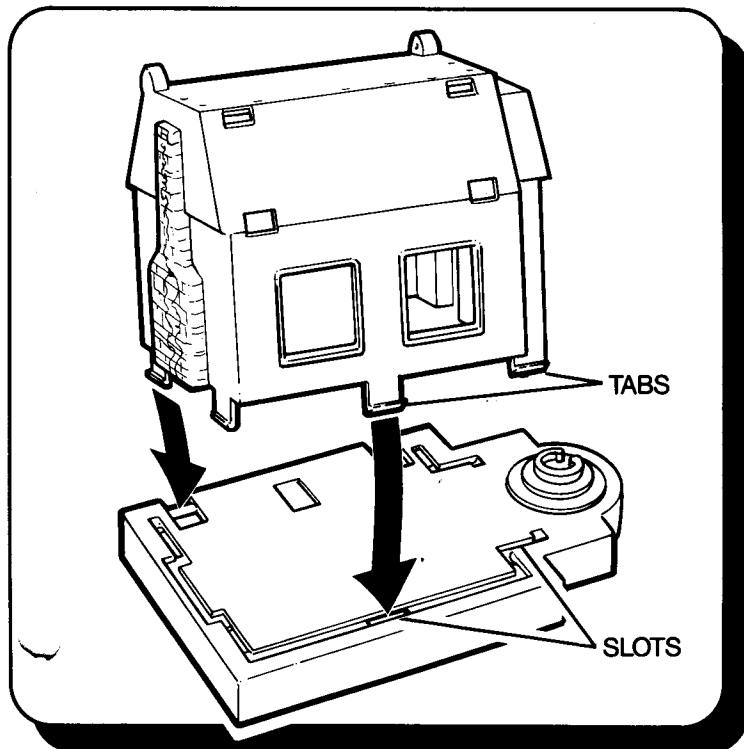
## Whinny Winks Inn™

### Instructions

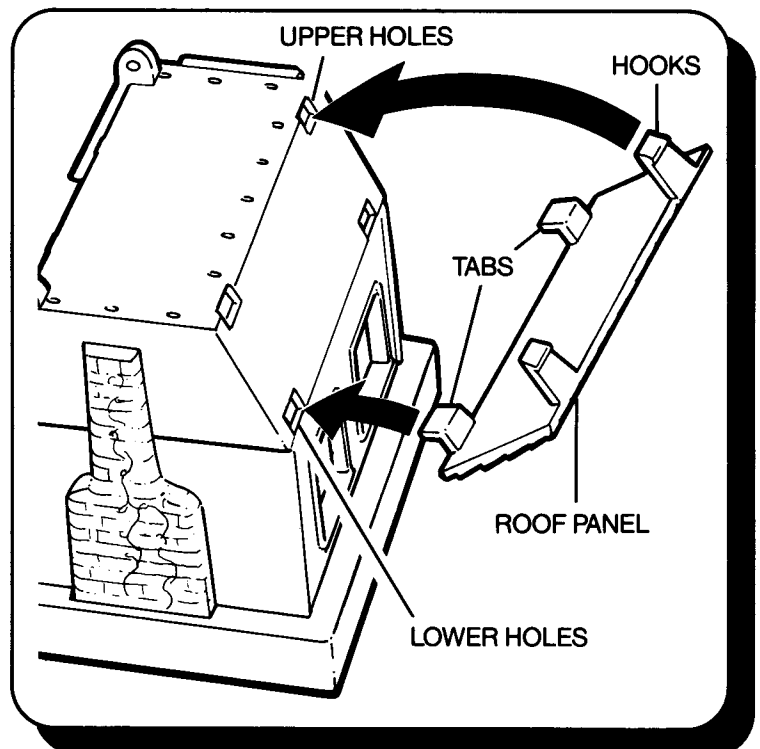
Remove all pieces from plastic frames. If you have difficulty, have an adult use safety scissors. Remove all pieces from plastic bags and discard bags IMMEDIATELY.



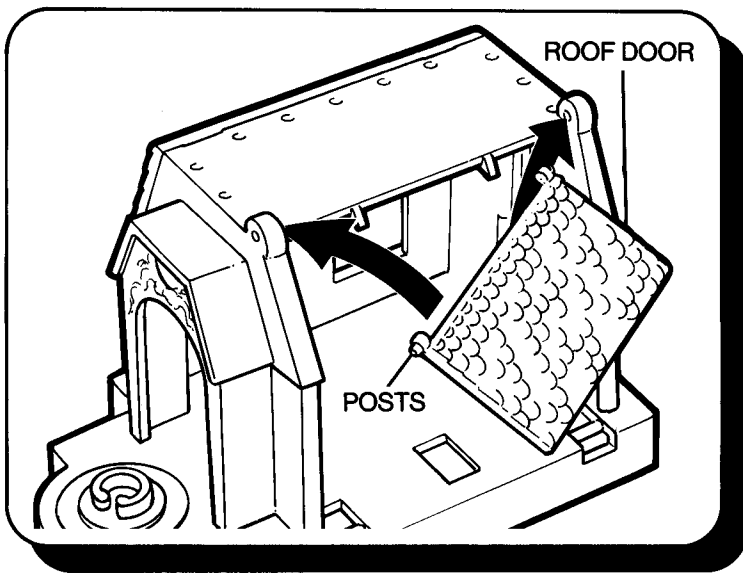
1. Before assembling home, peel and apply labels as shown.



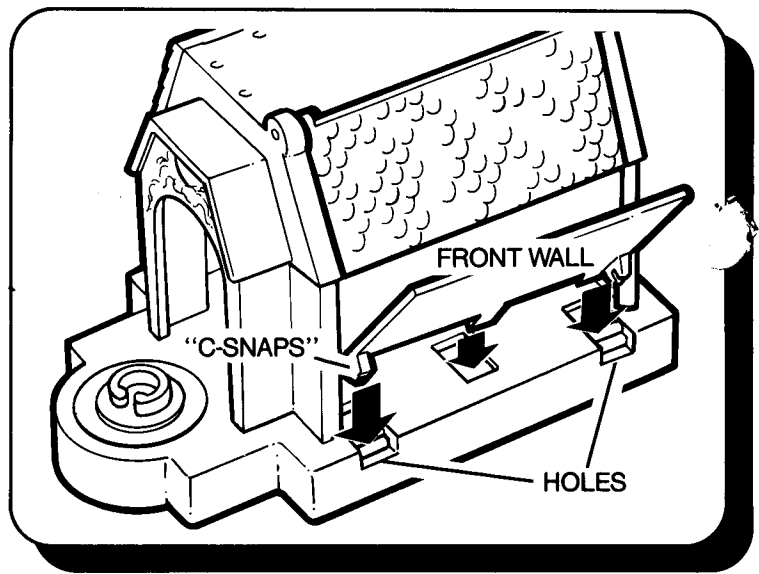
2. Snap tabs on house into slots in base.



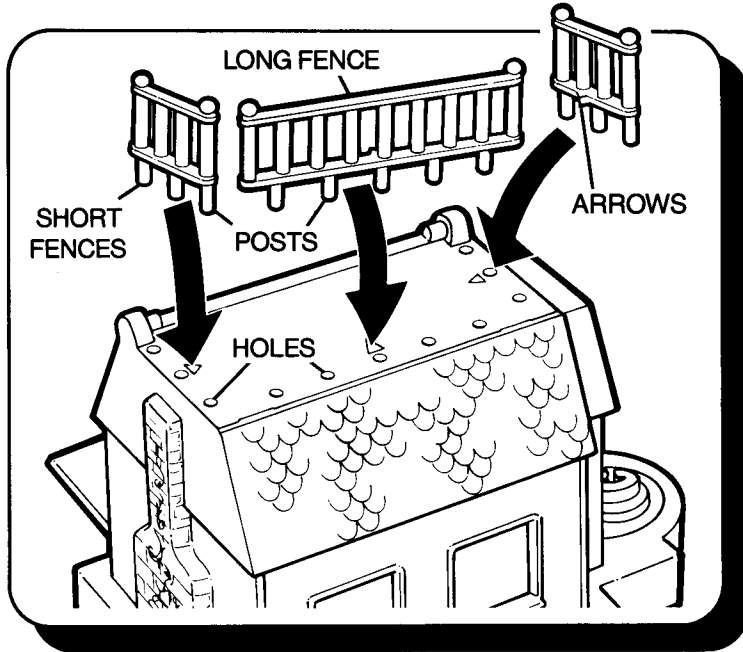
3. Insert tabs on roof panel into lower holes in roof, then snap hooks on roof panel into upper holes in roof.



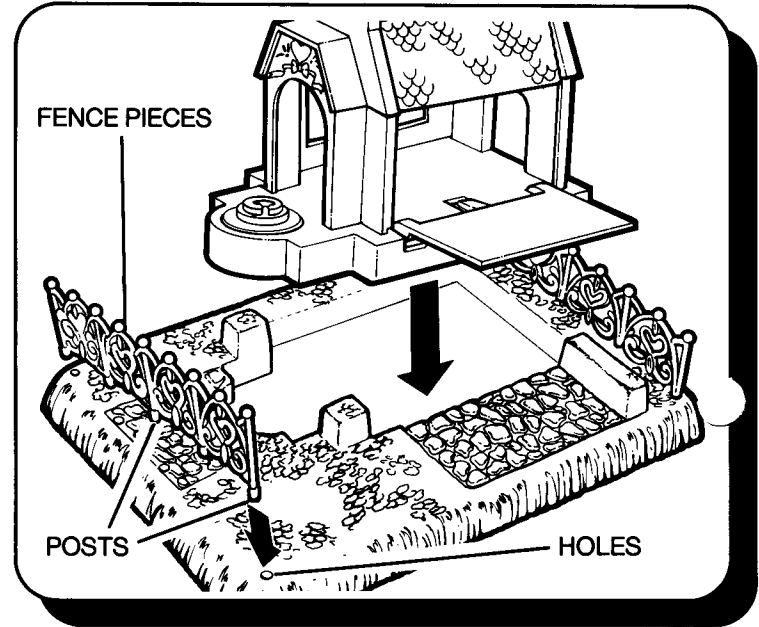
4. Snap posts on roof door into walls in house.



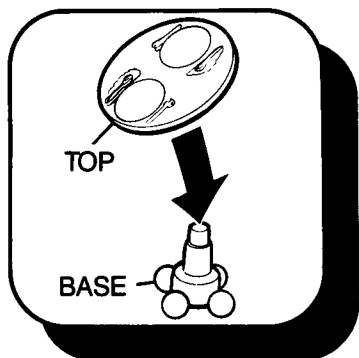
5. Press "C-snaps" on front wall around post in hole located in base of house.



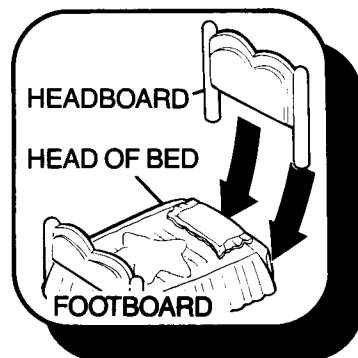
6. Insert posts on long fence piece into holes in roof, making sure arrow on bottom rail points inward. Insert posts on short fence pieces into holes in roof, making sure arrows on bottom rails point inward.



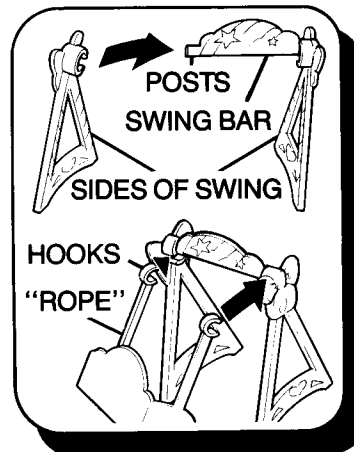
7. Place assembled house on playbase. Insert posts on fence pieces into holes in playbase.



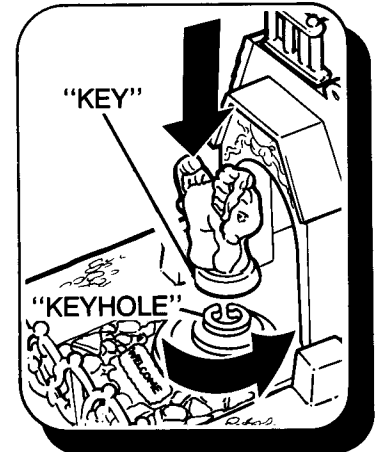
8. Insert post on table base into hole in table top.



9. Insert posts on headboard into holes in head of bed. Insert posts on footboard into holes in foot of bed.



10. Insert posts on swing bar into sides of swing. Snap hooks on ends of "rope" onto swing bar.



11. To open home, place Petite Pony "key" (located under pony's feet) into circular "keyhole" in base, aligning "U"-shaped groove in key with "U"-shaped ridge in keyhole. Turn pony a quarter of a turn. Front wall will swing open.

