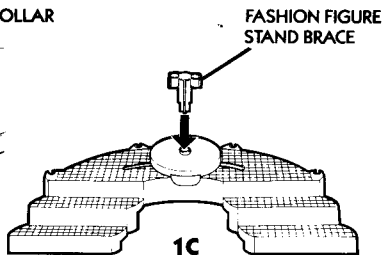
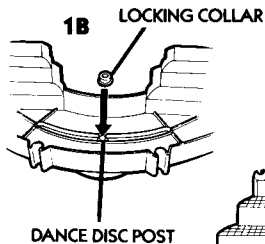
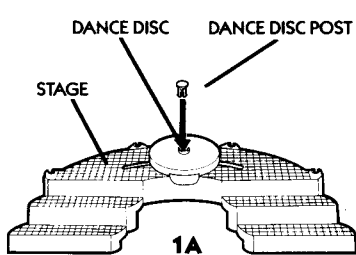


NEW KIDS ON THE BLOCK™

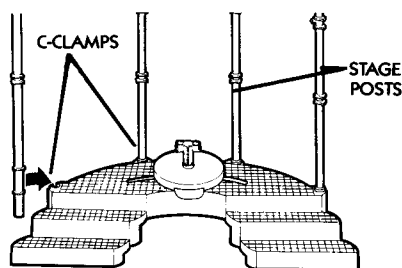
STAGE Instructions



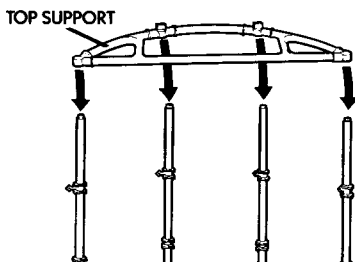
1A. Place stage top side up. Place dance disc over slotted area in stage. Insert dance disc post through hole in dance disc.

1B. Holding dance disc in place, turn stage upside down. Snap round ring on locking collar over dance disc post.

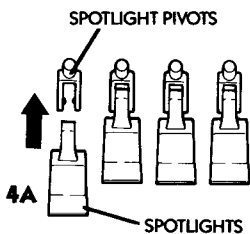
1C. Turn stage top side up. Insert fashion figure stand brace into hole in dance disc.



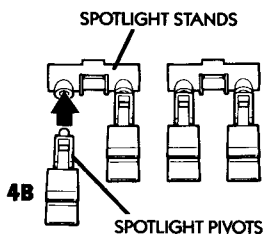
2. Snap four (4) stage posts into C-clamps on sides of stage. Make sure hollow sides of posts face rear of stage.



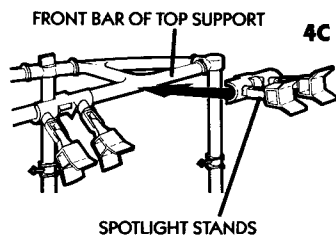
3. Snap top support onto stage posts.



4A. Snap ends of four (4) spotlights into spotlight pivots.

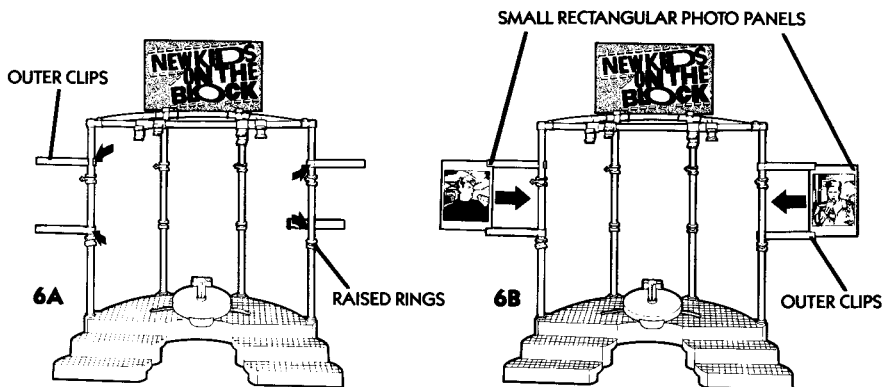
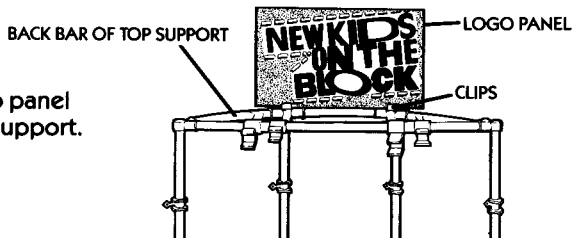


4B. Snap ends of spotlight pivots into holes in spotlight stands. There should be two spotlights for each stand.



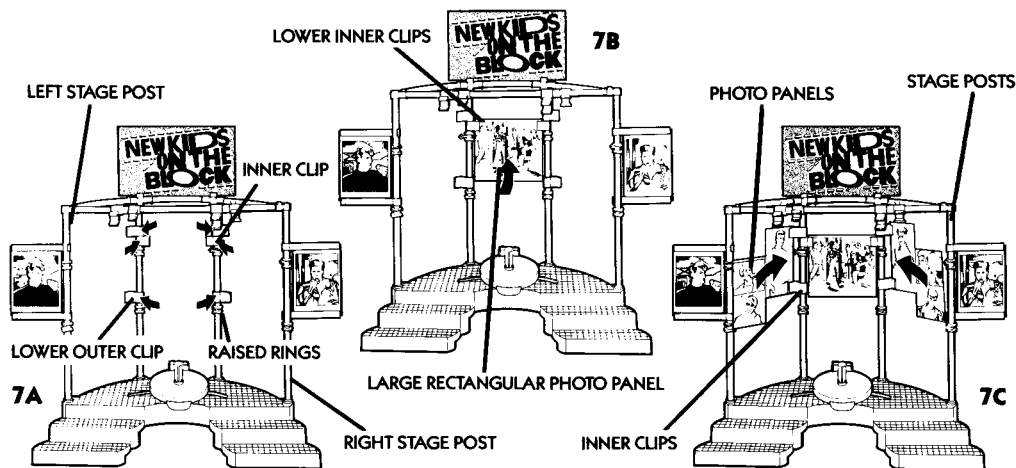
4C. Snap spotlight stands onto front bar of top support.

5. Insert New Kids on the Block™ logo panel into two (2) clips on back bar of top support.



6A. Snap outer clips onto two (2) outer stage posts, above raised rings. Slots on lower clips should face up; slots on upper clips should face down.

6B. Insert two (2) small rectangular photo panels into slots in outer clips.

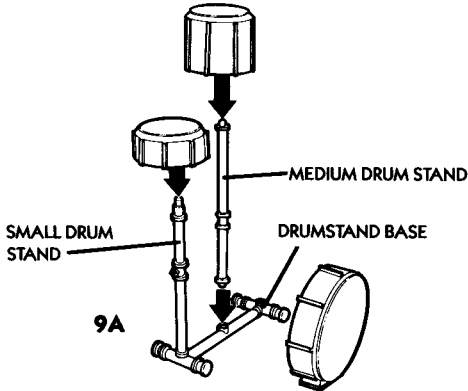
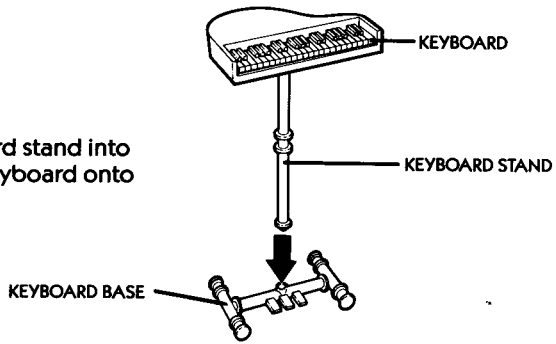


7A. Snap one inner clip above lower outer clip on left stage post. Snap four (4) inner clips above raised rings onto two (2) middle stage posts. Snap one inner clip above lower outer clip on right stage post.

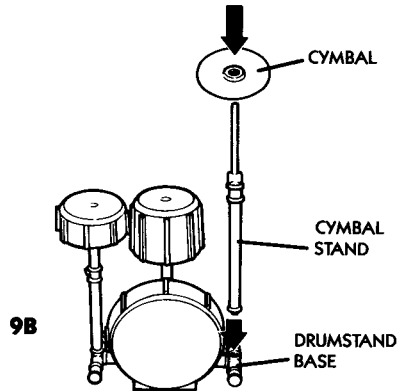
7B. Attach large rectangular photo panel to two (2) lower inner clips on middle stage posts.

7C. Attach two (2) remaining photo panels to remaining inner clips on left, middle and right stage posts.

8. Press smooth end of keyboard stand into hole in keyboard base. Press keyboard onto ribbed end of keyboard stand.

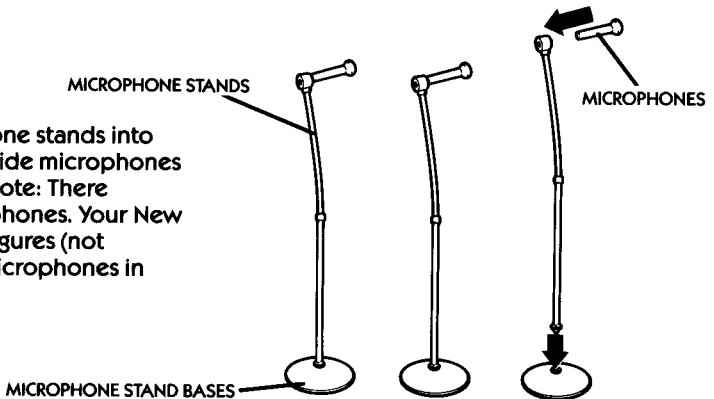


9A. Insert medium and small drum stands into holes in drumstand base. Attach drums to drum stands.

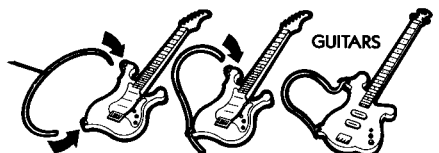


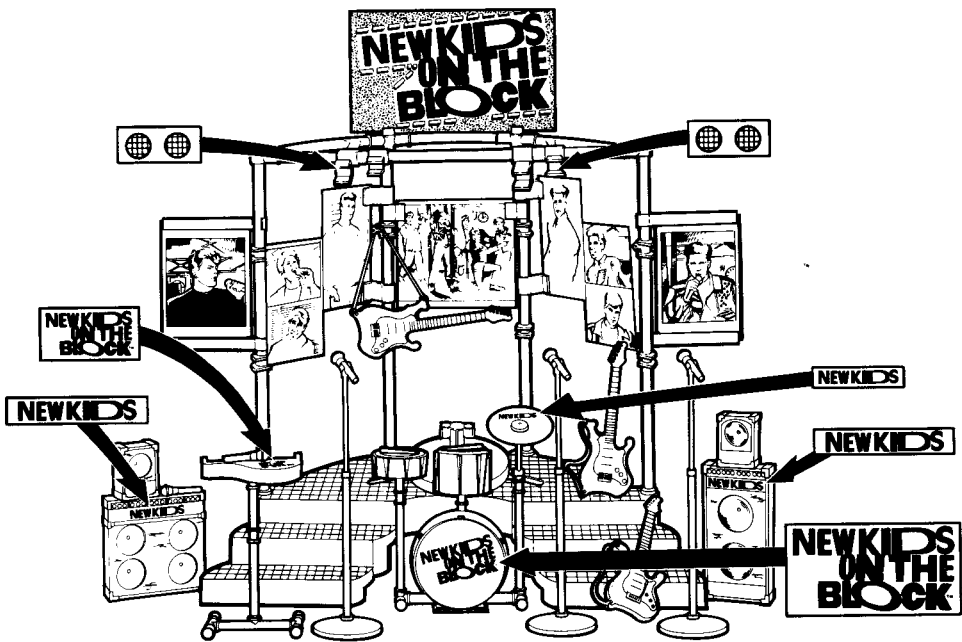
9B. Attach cymbal to cymbal stand. Insert cymbal stand into drumstand base.

10. Press three (3) microphone stands into microphone stand bases. Slide microphones into microphone holders. Note: There should be two extra microphones. Your New Kids on the Block Fashion Figures (not included) can hold these microphones in their hands.



11. Insert ends of cords through holes in three (3) guitars. Tie a knot at the end of each cord to secure the cords onto the guitars. Note: If ends of cords are frayed, cut them before inserting them into holes for easier insertion.





12. Peel and apply labels as shown.



13. To attach a New Kids on the Block™ Fashion Figure (not included) to the dance disc brace, snap figure's legs into stand. Place fingers on dance disc tab and move disc from side to side to make the figure dance or spin.

©1990 Big Step Productions, Inc.

©1990 Hasbro, Inc.

Distributed by Hasbro, Inc., Pawtucket, RI 02862 U.S.A. All Rights Reserved.

9930 P/N 41789600

