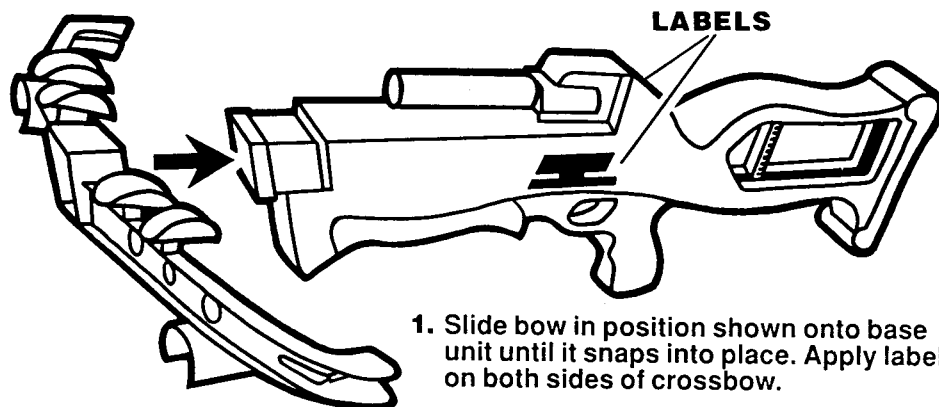


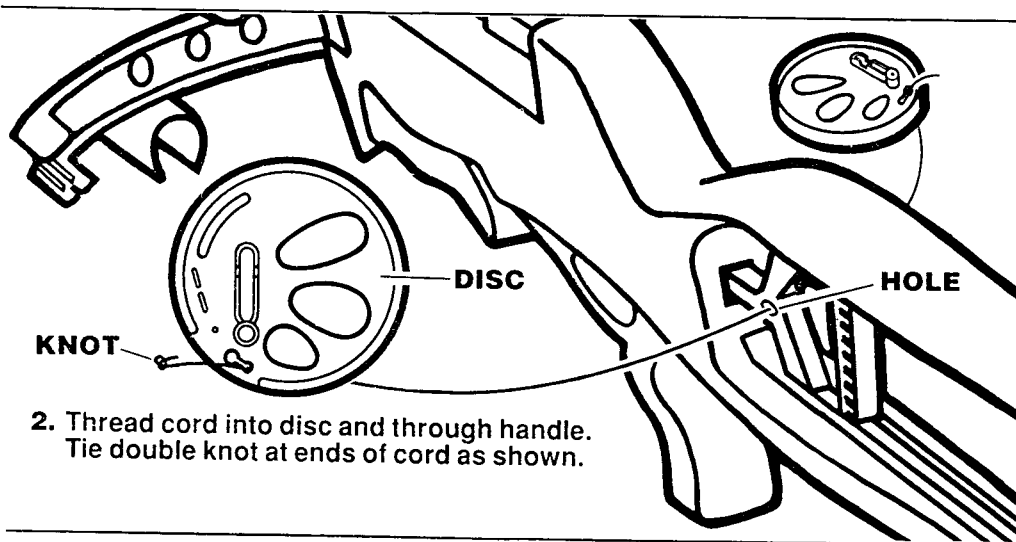


Crossbow™

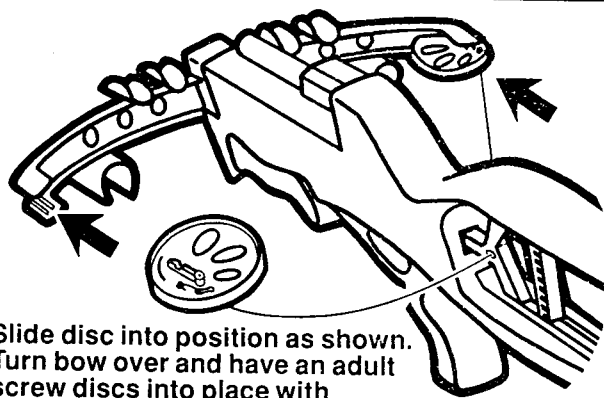
Ages 6 and Up



1. Slide bow in position shown onto base unit until it snaps into place. Apply labels on both sides of crossbow.

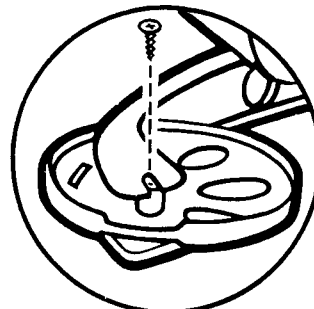


2. Thread cord into disc and through handle. Tie double knot at ends of cord as shown.

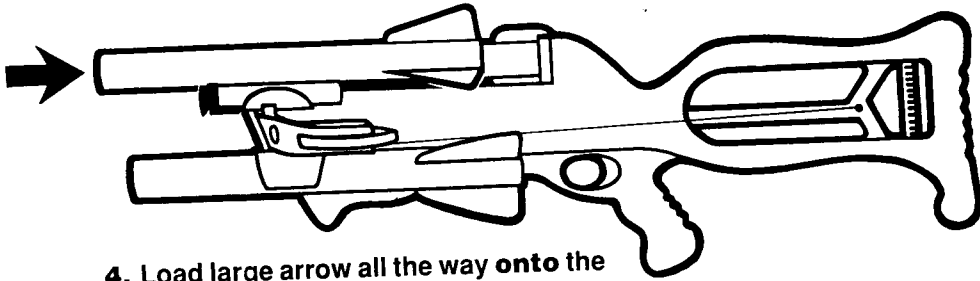


3. Slide disc into position as shown. Turn bow over and have an adult screw discs into place with Phillips screwdriver.

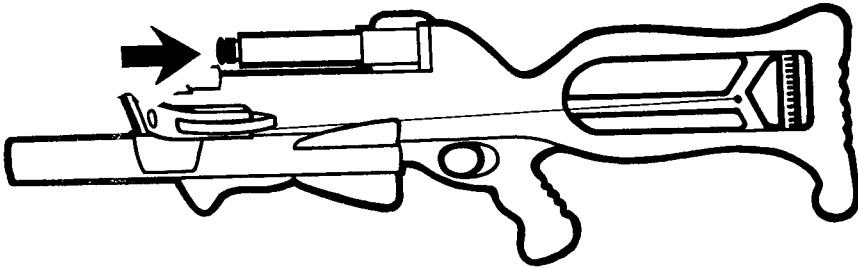
VIEW FROM UNDERSIDE



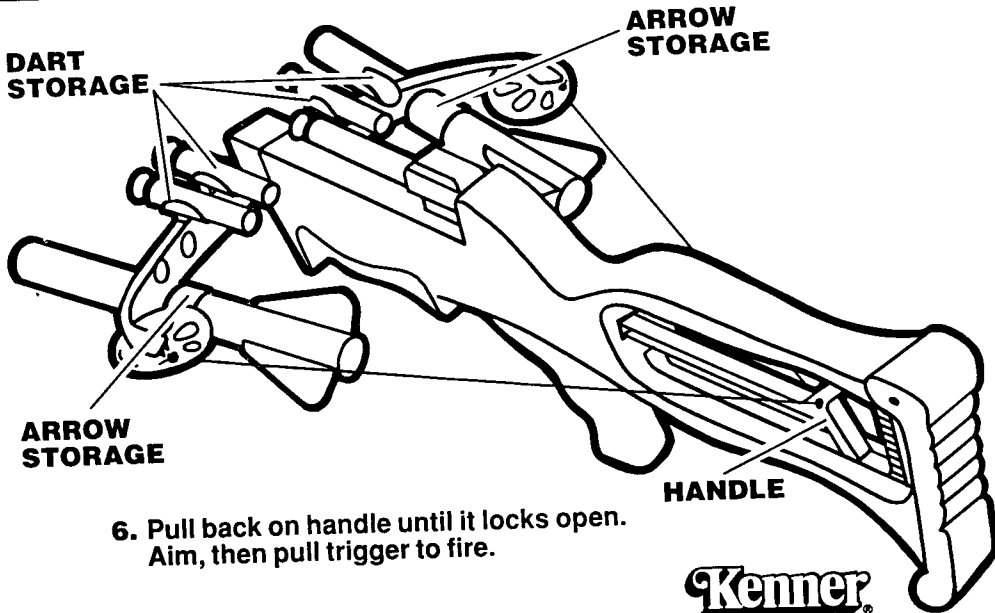
Screw disc into place on bottom side.



4. Load large arrow all the way onto the launching tube or...



5. Load small dart as far as it will go into the launching tube. **DO NOT LOAD AN ARROW OVER A DART THAT IS ALREADY IN THE LAUNCHING TUBE.**



6. Pull back on handle until it locks open. Aim, then pull trigger to fire.

Kenner

©1995 Kenner, a division
of Tonka Corporation,
Cincinnati, Ohio 45202
MADE IN MEXICO