

NERF

ACTION BRAND

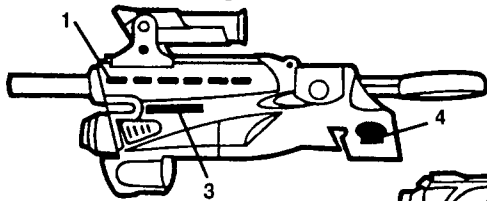


AGES 6 AND UP

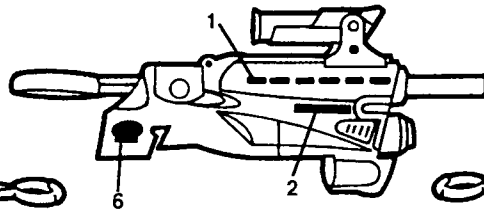
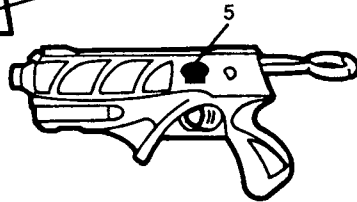
CAUTION: DO NOT AIM AT EYES OR FACE.

Defender T3™

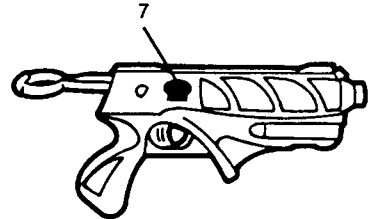
1. Apply labels using the numbers on the label sheet and these illustrations as a guide.



Right Side

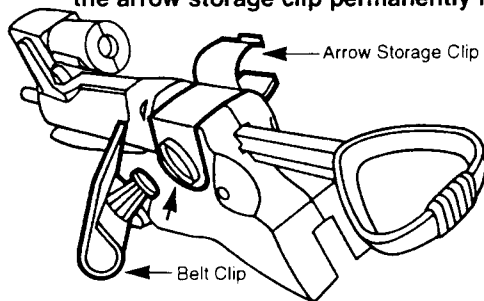
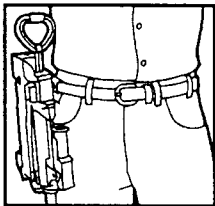


Left Side

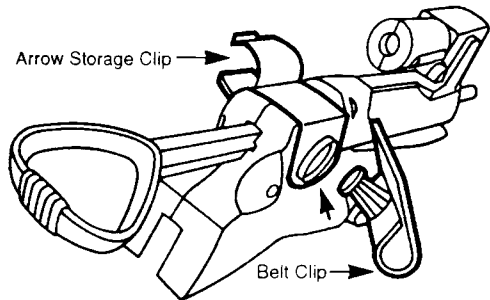
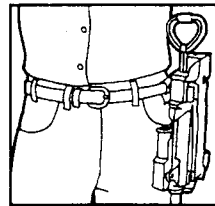


2. **ONE-TIME ASSEMBLY**
Only assembled. Control de disparo de una vez. Assemble the arrow launcher for either right or left hand use. Snap the arrow storage clip into place so that hole for the belt clip is on the appropriate side as shown. Snap the belt clip into the hole of the arrow storage clip permanently holding it in place.

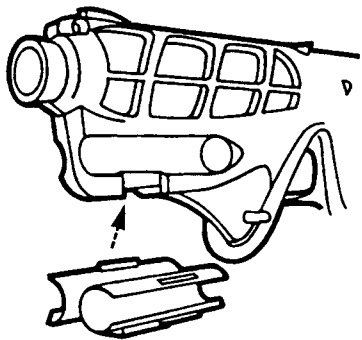
Right Hand Use



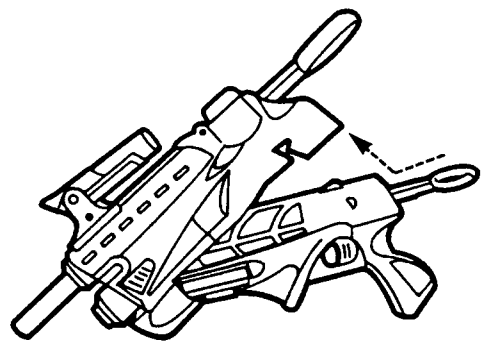
Left Hand Use



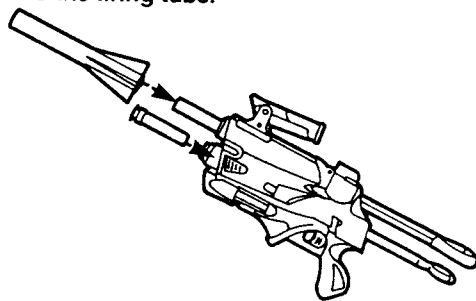
3. Snap the dart storage clip onto the dart launcher.



4. Once the launchers assembly is complete, slide the dart launcher into the underside of the arrow launcher as shown.



5. Load an arrow all the way into the launching tube. Insert a dart all the way into the firing tube.

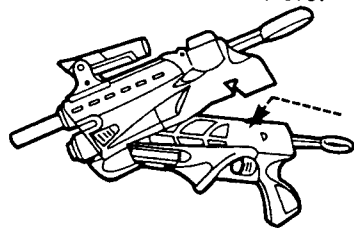


Pull back on both cocking handles until they lock in the extended position. The launchers are now ready to fire.

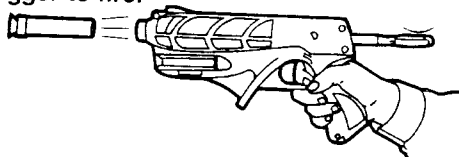
6. Pull the trigger half way to fire the arrow launcher and continue to pull it all the way to fire the dart launcher.



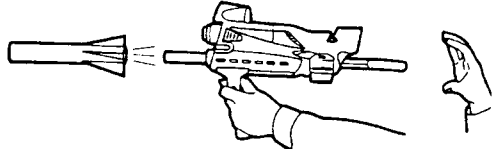
7. Each launcher can also be used by itself. Take the dart launcher out of the arrow launcher by holding the arrow launcher as you push the dart launcher forward and pull down on it to disengage. Load each launcher as before.



Pull back the cocking handle on the dart launcher until it locks as before. Pull trigger to fire.



The arrow launcher now fires **differently**. The "scope" rotates down to become a handle. Pull the cocking handle out, aim and release the cocking handle. It will **not lock in place**. The arrow fires as the handle is released.



Kenner

© 1996 HASBRO INC
Pawtucket, Rhode Island 02862
All Rights Reserved

MADE IN MEXICO
528308.00