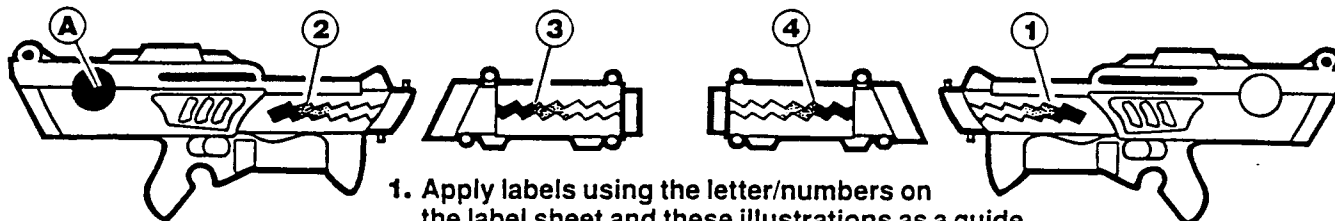


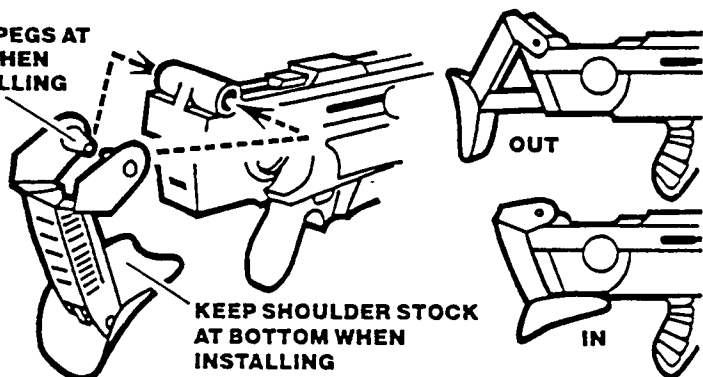
# NERF

60 335  
**Sawtooth™**



1. Apply labels using the letter/numbers on the label sheet and these illustrations as a guide.

KEEP PEGS AT TOP WHEN INSTALLING



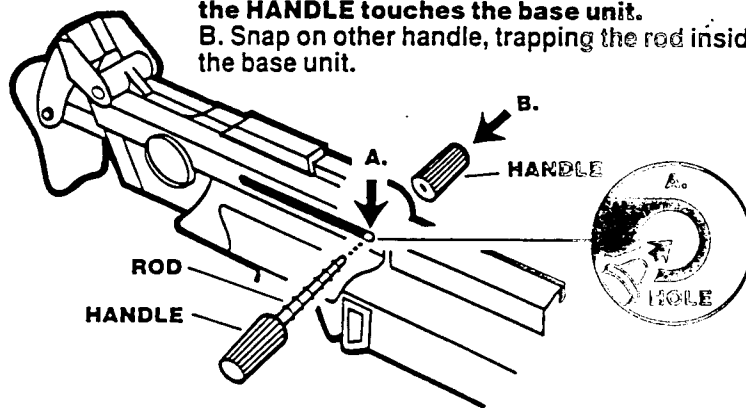
KEEP SHOULDER STOCK AT BOTTOM WHEN INSTALLING

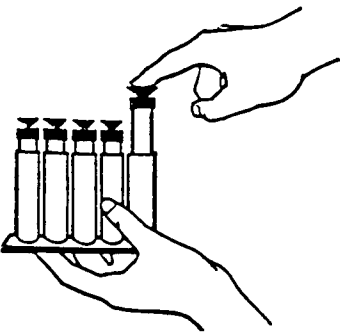
» **ONE-TIME ASSEMBLY** «  
Once assembled, cannot be taken apart.

2. Attach stock to rear of base unit by spreading the two pegs apart, then inserting and snapping them into the holes as shown. Stock folds out and in.

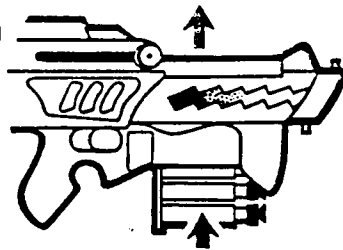
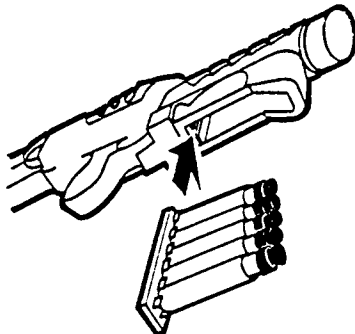
» **ONE-TIME ASSEMBLY** «  
Once assembled, cannot be taken apart.

3. A. **IMPORTANT:** Carefully insert **ROD** all the way into the hole in the base unit so that the **HANDLE** touches the base unit.  
B. Snap on other handle, trapping the rod inside the base unit.

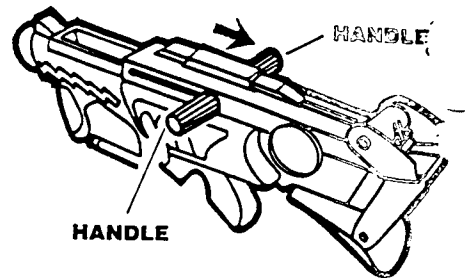




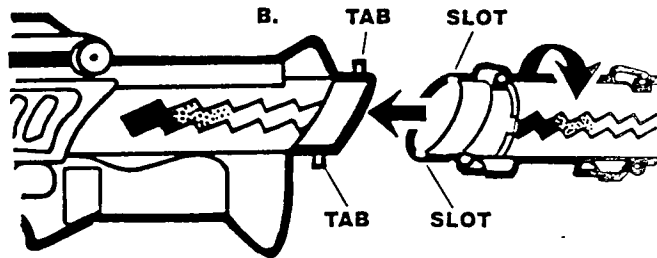
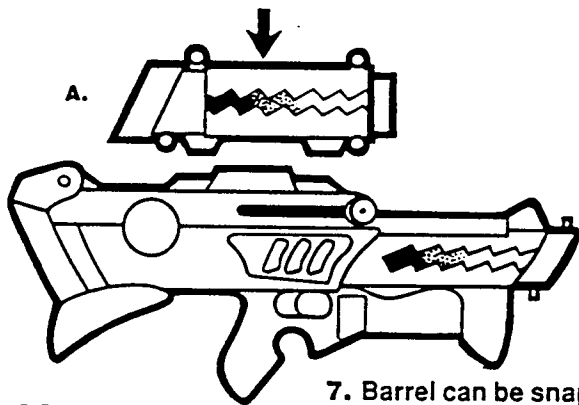
4. Load darts by pushing them **ALL THE WAY** into the tubes.



5. Insert loaded clip into the track inside the base unit. Push upward **until a click is heard**, which means that the clip is now engaged. After firing all the darts, remove clip **only** from the top.



6. Using one or both hands, pull handle(s) quickly **all the way back and release**. Pull trigger to fire.



7. Barrel can be snapped on top of base unit to be used as a scope (A). To extend length of base unit (B), align slots on one end of barrel with the tabs on the base unit. Insert and turn as shown until you hear a click. Barrel can be removed by reversing the procedure.

**Kenner**

© 1994 Kenner, a division of Tonka Corporation, Cincinnati, Ohio 45202