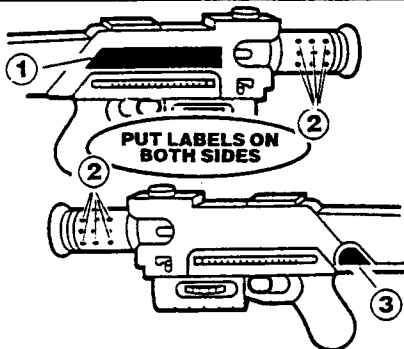
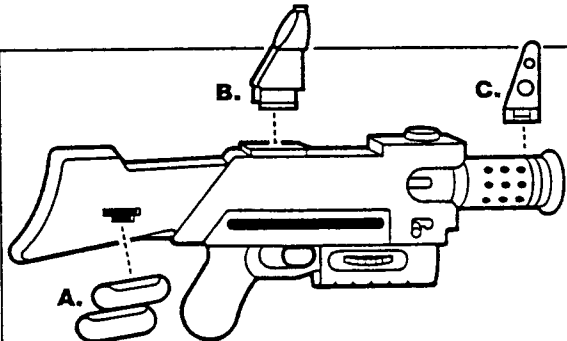




# Sneak Shot™ Blaster

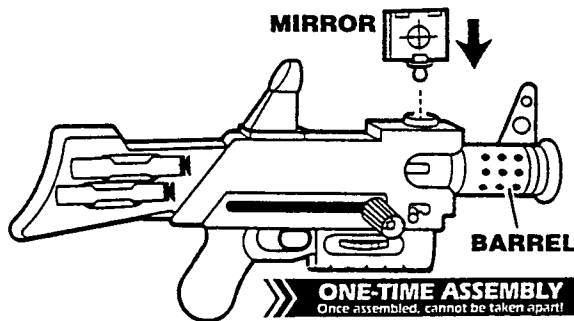


1. Apply labels using the numbers on the label sheet and the above illustrations as a guide.



▶▶ **ONE-TIME ASSEMBLY** ◀◀  
Once assembled, cannot be taken apart!

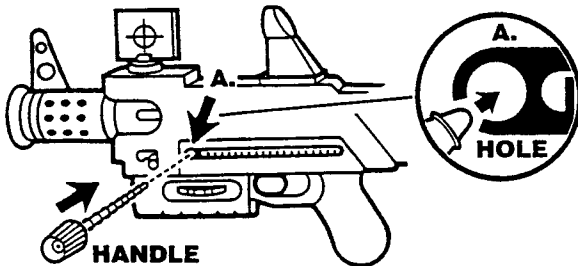
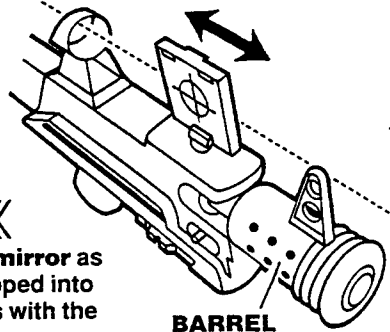
2. Snap parts A, B, and C into place on the base unit. Be sure to position parts B and C in the direction shown.



▶▶ **ONE-TIME ASSEMBLY** ◀◀  
Once assembled, cannot be taken apart!

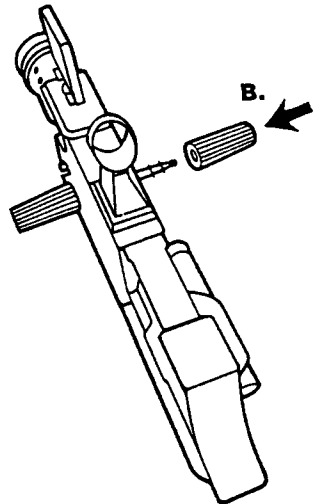
3. With barrel pointed straight forward, line up mirror as shown. Snap mirror into place. Once mirror is snapped into place, move the barrel to see how the mirror moves with the barrel.

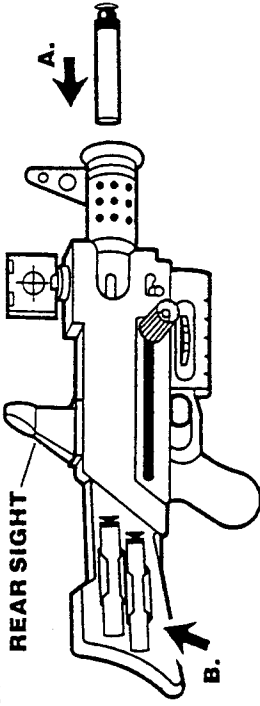
With barrel pointed straight forward, line up mirror as shown. Snap mirror into place.



▶▶ **ONE-TIME ASSEMBLY** ◀◀  
Once assembled, cannot be taken apart!

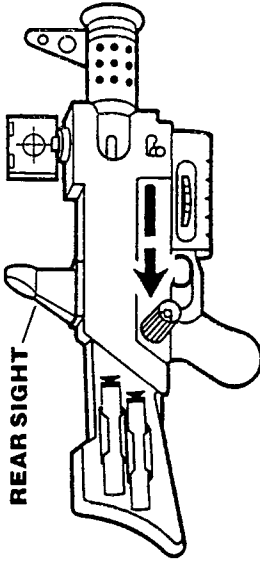
4. A. **IMPORTANT:** Carefully insert ROD all the way into the hole in the base unit so that the HANDLE touches the base unit.  
B. Snap on other handle, trapping the rod inside the base unit.



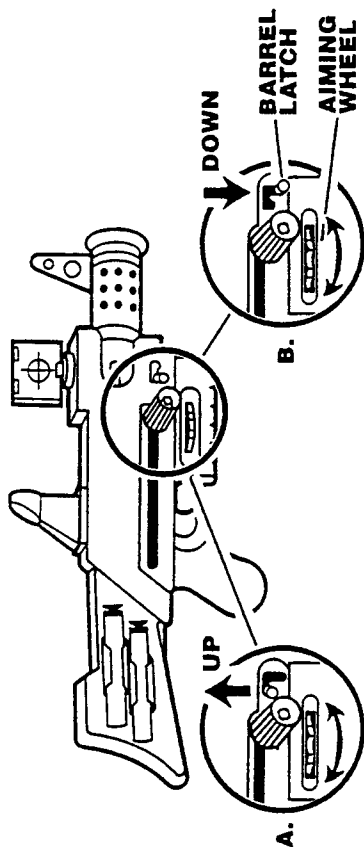


REAR SIGHT

- A. Load a dart into the barrel as far as it will go.
- B. Store extra darts on dart storage clips, as shown.



- 6. Cock weapon by quickly pulling either handle all the way back and releasing.



BARREL LATCH  
AIMING WHEEL

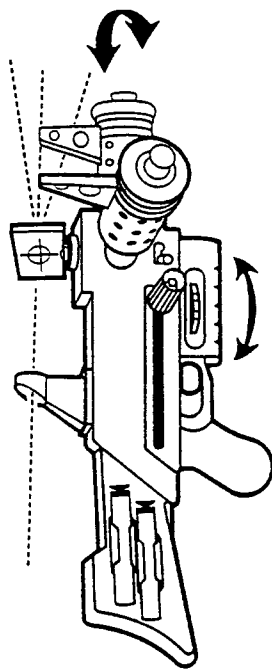
UP

DOWN

- 7. To aim weapon, you may choose to have the barrel swing freely or to stop it at set positions. Look through the rear sight as you use the pictures to help you choose your aiming style:

A. Put barrel latch in the "up" position to allow the barrel to swing freely.

B. Put barrel latch in the "down" position for several set aiming positions.  
Look through the rear sight as you use the aiming wheel to move the barrel, or move the barrel itself with your hand. Your target should appear in the mirror. The mirror will automatically move to help you find your target as you move the barrel. **NOTE:** You do not use the mirror when the target is straight ahead.



- 8. Once you have your target in sight, pull trigger to fire. Reload and re-cock the weapon each time you want to fire.



©1994 Kenner, a division of Tonka Corporation, Cincinnati, Ohio 45202 51176700

Printed in Mexico