

61394

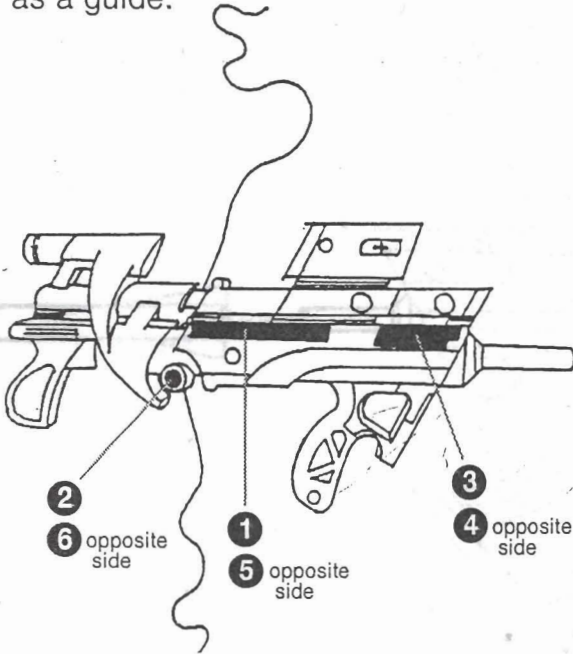
NERF BRAND

AGES 6 AND UP

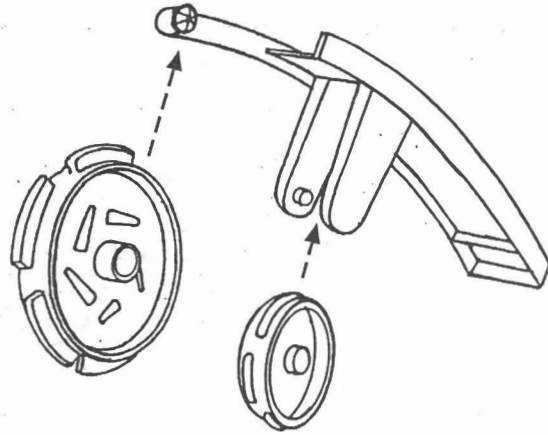
HYPER SIGHT™

Big Bad Bow™

1. Apply the labels to unassembled parts using the numbers on the label sheet and this illustration as a guide.

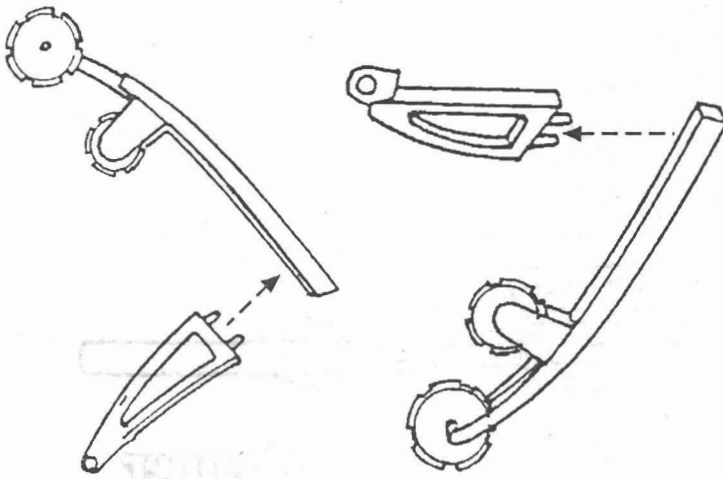


2. **ONE-TIME ASSEMBLY** (Once assembled, cannot be taken apart) Attach a large wheel to the end of each of the bow arms; a smaller wheel to the middle of each of the bow arms.



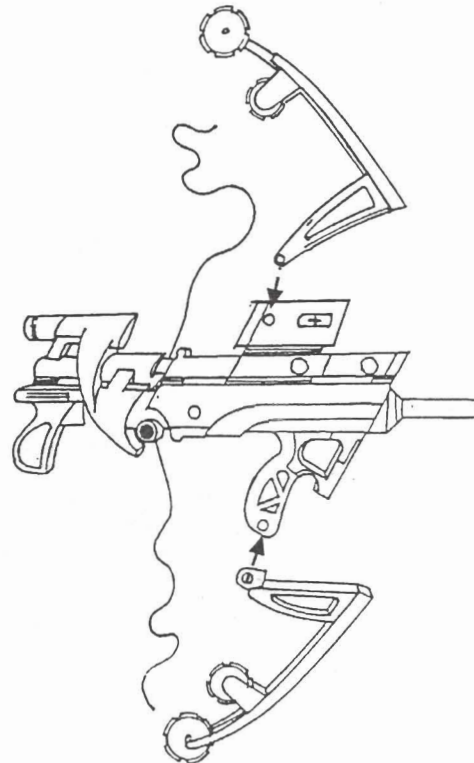
4. Attach the completed bow assembly to the body as shown.

3. **ONE-TIME ASSEMBLY** (Once assembled, cannot be taken apart) Attach a bow bracket to each of the bow arms.

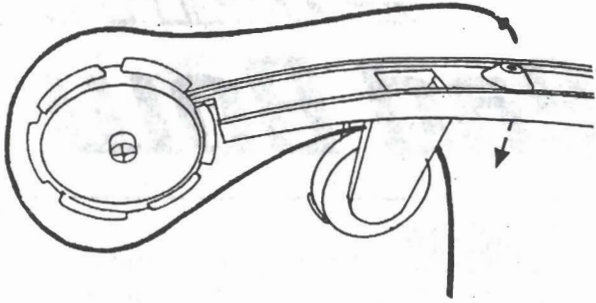


Top Bow Bracket

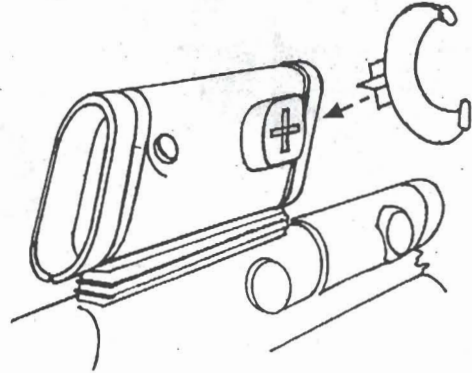
Bottom Bow Bracket



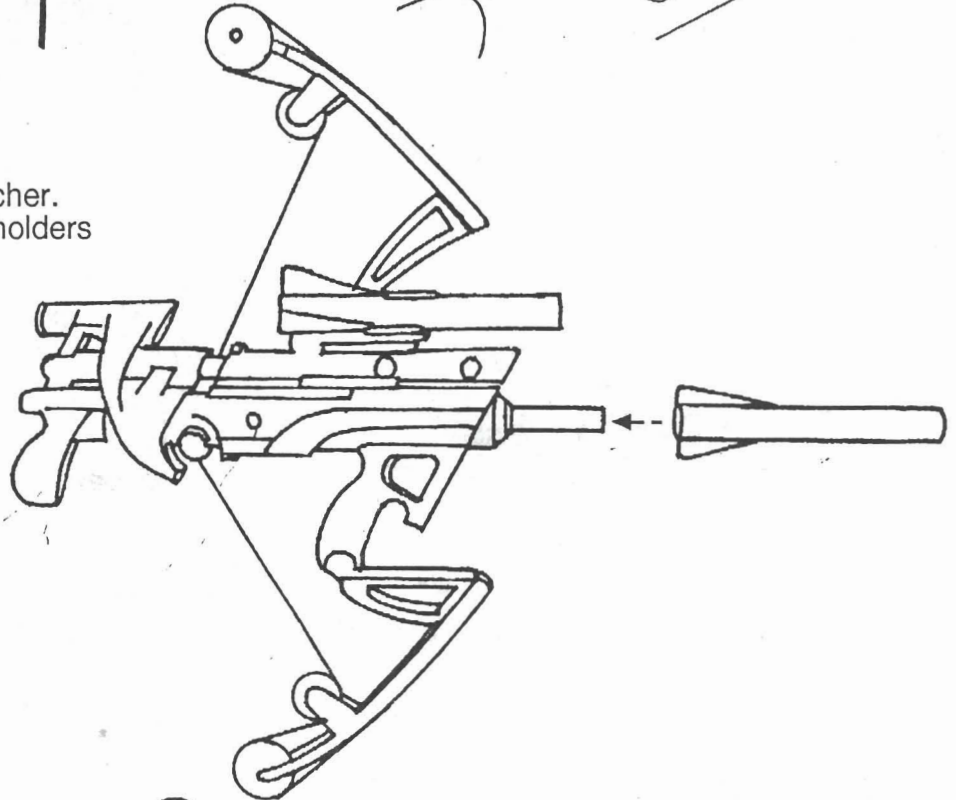
5. Attach a string to each bow section by threading it through the wheels as shown. Pull the knot through the hole in the bow.



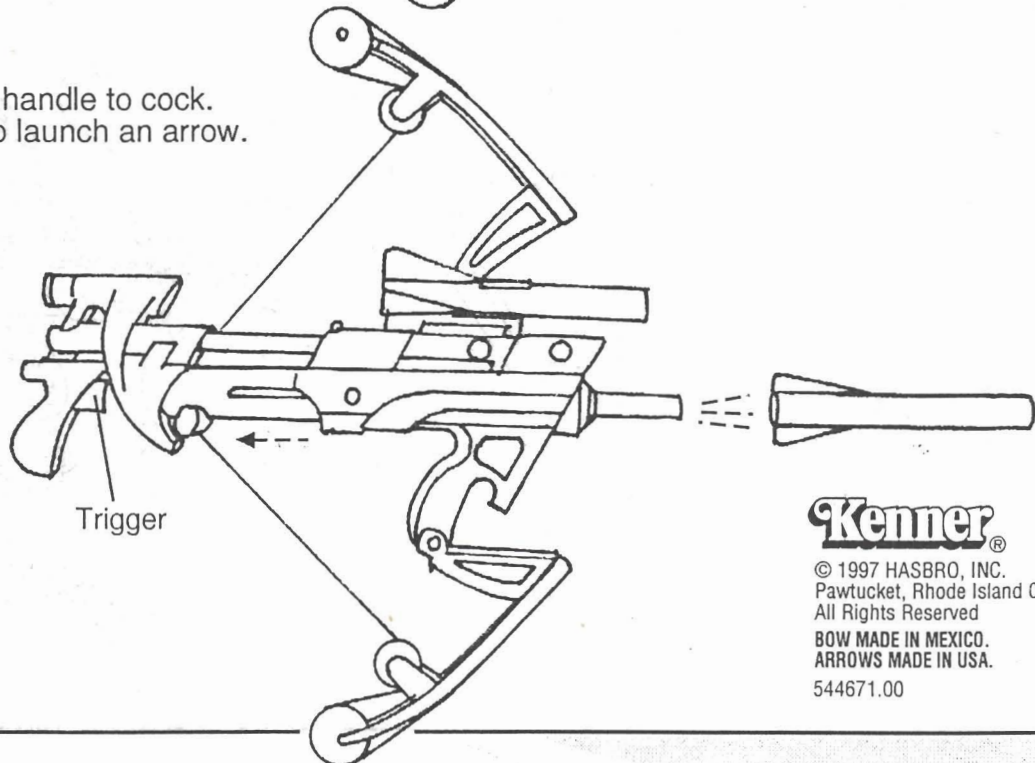
6. Snap an arrow holder onto each side of the 'sight'.



7. Load an arrow onto launcher. Arrows can be stored in holders as shown.



8. Pull back on handle to cock. Pull trigger to launch an arrow.



Kenner[®]

© 1997 HASBRO, INC.
Pawtucket, Rhode Island 02862.
All Rights Reserved
BOW MADE IN MEXICO.
ARROWS MADE IN USA.
544671.00