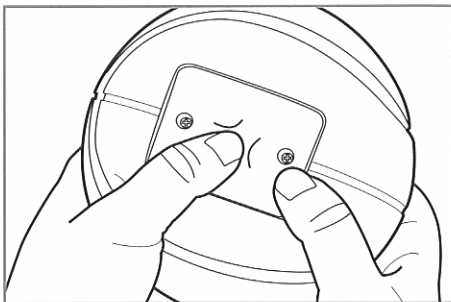
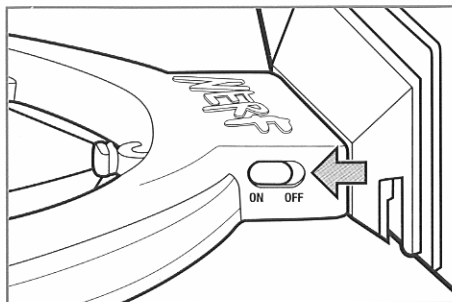


TO TURN THE BASKETBALL AND RIM ON:



1. Using both of your thumbs, firmly press down on the battery door compartment. This will turn the basketball "ON." Do the same to turn the basketball "OFF."



2. Slide the "ON/OFF SLIDE SWITCH" on the rim to the "ON" position.

NOTE: Please turn the rim to the "OFF" position, and press the basketball to "OFF" when not in use to conserve battery life.

NERF®

PLAY YOUR GAME™

AGES 8+
26055

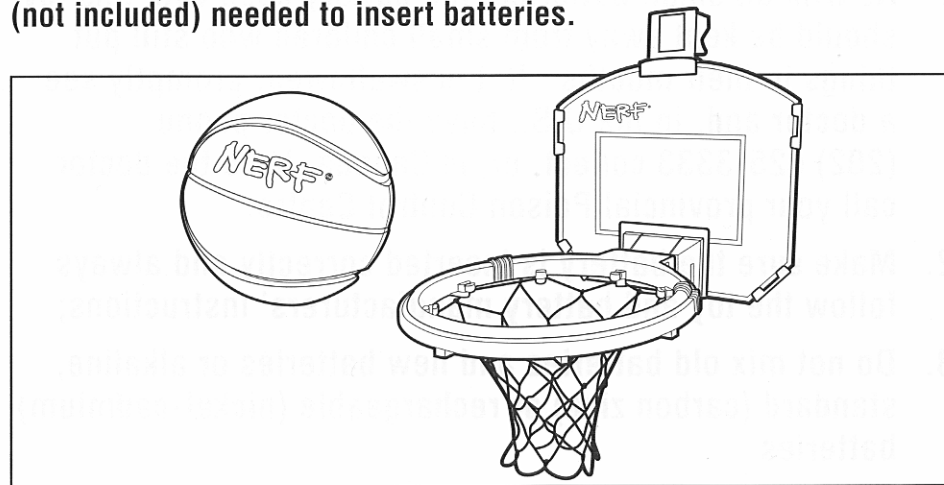
NOTE: Not for play in complete darkness. Know your surroundings and clear the area of obstructions before each use.

Nite Jam™ Nerfoop®

Thank you for purchasing the NERF NITE JAM NERFOOP. Be sure to read and follow all instructions carefully before using this product.

The NERF NITE JAM NERFOOP takes your hoop skills to a whole new arena – the dark! Turn on the rim and fire up your basketball for a serious game of nitetime hoops! Get slam-dunking in style, and challenge your friends to take a shot in the dark!

Basketball requires 2 x 1.5V "AAA" size batteries (not included).
Rim requires 3 x 1.5V "AAA" size batteries (not included).
Alkaline batteries recommended. Phillips/cross head screwdriver (not included) needed to insert batteries.



© 2004 Hasbro. All Rights Reserved.
® denotes Reg. U.S. Pat. & TM Office.

LyTec® Light by Wire
The Original EL Wire
US Patent 5.485.355



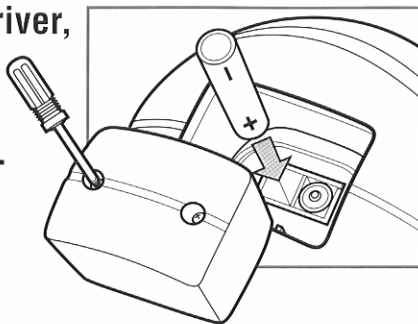
LyTec® is a registered trademark of
Elam EL Industries Ltd.

26055 P/N 6384290000

NERF.COM
FOR NEW PRODUCTS AND OFFERS
Questions? Call: 1-800-327-8264

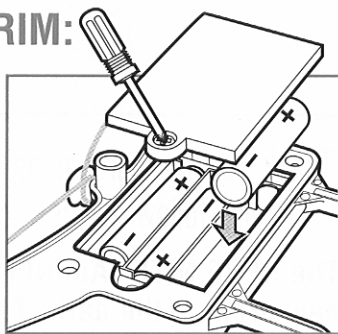
TO INSERT BATTERIES INTO THE BASKETBALL:

Use a Phillips/cross head screwdriver, to loosen the screw in the battery compartment cover (screw stays attached to cover). Remove cover. Insert 2 x 1.5V "AAA" batteries. Replace cover and tighten screw.



TO INSERT BATTERIES INTO THE RIM:

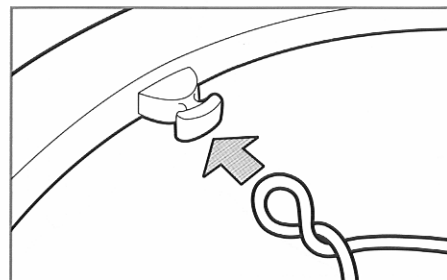
Use a Phillips/cross head screwdriver, to loosen the screw in the battery compartment cover (screw stays attached to cover). Remove cover. Insert 3 x 1.5V "AAA" batteries. Replace cover and tighten screw.



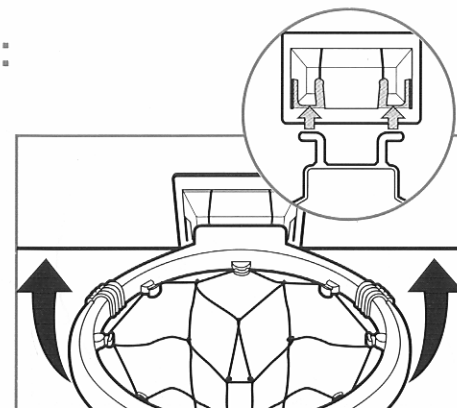
⚠ CAUTION:

1. As with all small batteries, the battery used with this toy should be kept away from small children who still put things in their mouths. If it is swallowed, promptly see a doctor and, in the U.S., have the doctor phone (202) 625-3333 collect, or, in Canada, have the doctor call your provincial Poison Control Centre.
2. Make sure the battery is inserted correctly and always follow the toy and battery manufacturers' instructions;
3. Do not mix old batteries and new batteries or alkaline, standard (carbon zinc) or rechargeable (nickel-cadmium) batteries.

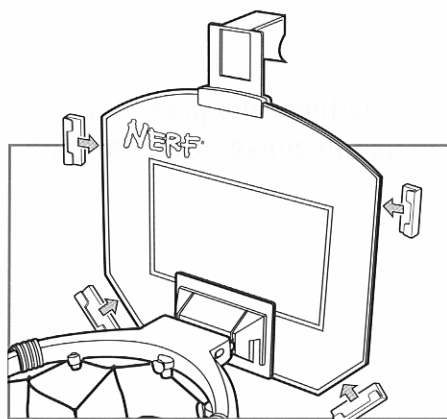
ASSEMBLY INSTRUCTIONS:



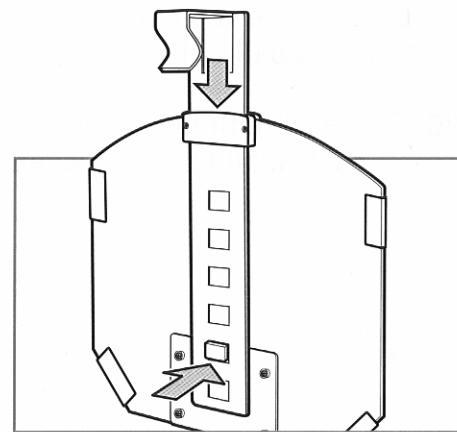
1. Loop the ends of the net over each hook located on the inside of the rim as shown. Tug each loop to secure it.



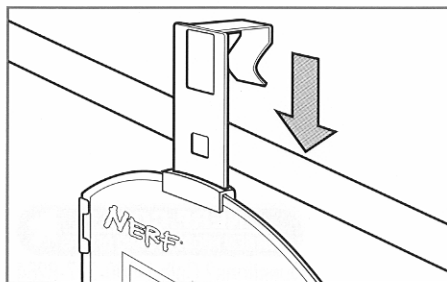
2. Slide netted rim into place as shown. Make sure the rim snaps into the rim bracket.



3. Slide the four side supporters onto the backboard locking each one into place. This will ensure that your backboard remains stable during use.



4. Insert door bracket into backboard.



5. Place door bracket with assembled backboard, rim and net over the top of a door.