



5129 or
Birth & Up

Ocean Dreamer™

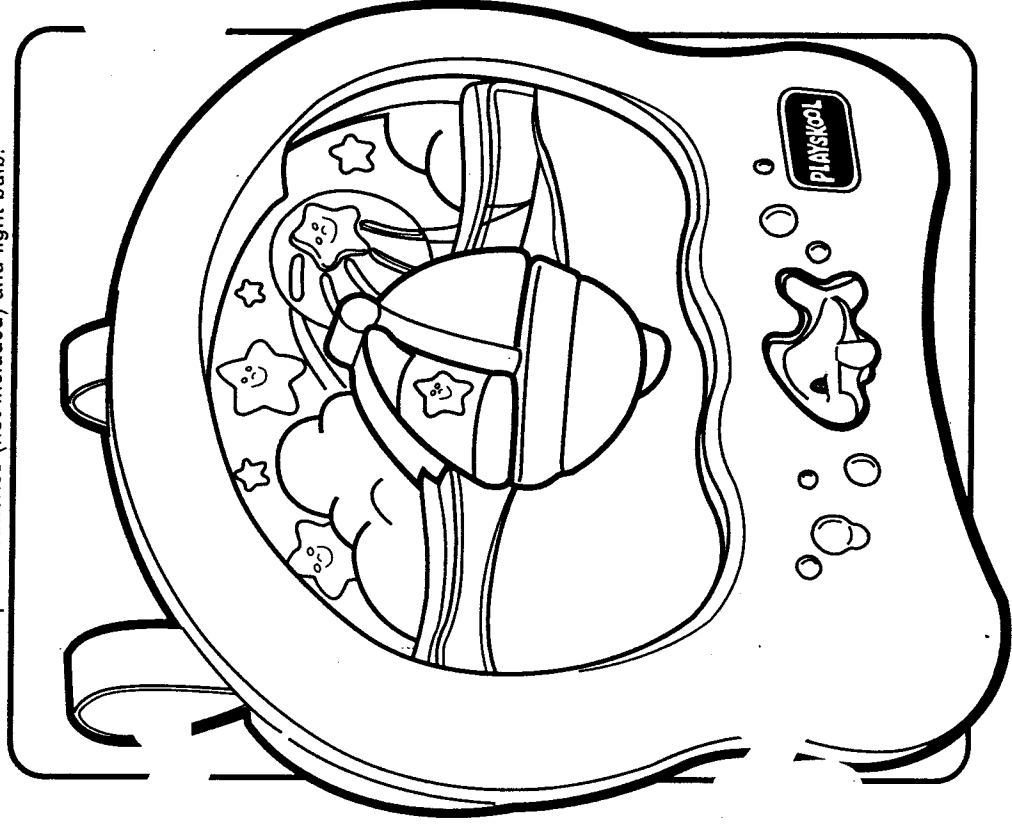
CAUTION: When toy is used in crib, the crib sides should be raised and the crib mattress should be in one of the lower positions.

CAUTION: To avoid head entrapment, do not attach lower strap on toy to mesh sided cribs and playpens.

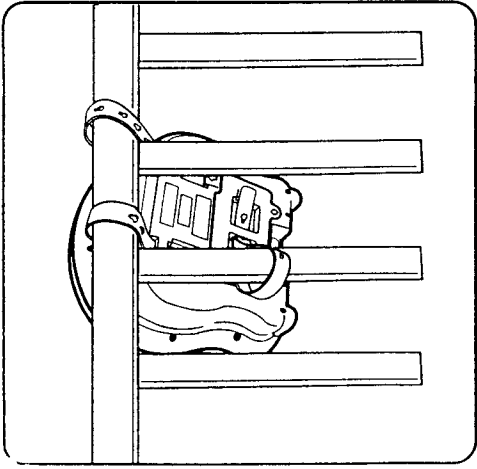
Thank you for purchasing this Playskool® toy!

EVEREADY® batteries included.

When batteries need replacement, we recommend Energizer® alkaline batteries. Phillips screwdriver needed to replace batteries (not included) and light bulb.



TO ATTACH TOY TO CRIB:



1. Position toy inside crib near top rail.
2. Line up arrow on strap with arrow on one of the upper slots on back of toy.
3. Slide strap through slot, around top crib rail, and back down through slot until strap is holding top of toy firmly onto rail.
4. Press strap tab into one of the strap holes.
5. Repeat process for other strap and upper slot.

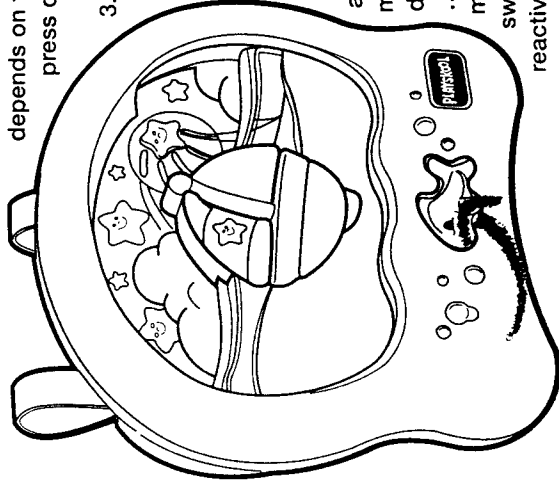
6. Line up arrows and slide the remaining strap through lower slot on back of toy (in either direction).
7. Slide strap around one of the crib bars and back through slot until strap is holding bottom of toy firmly onto bar.
8. Press strap tab into one of the strap holes.

TO ACTIVATE:

- The toy must be upright to work properly.
1. Slide switch on back of toy to select a mode.
 - OFF: Shuts off toy while it's playing. Prevents toy from being activated accidentally when storing or carrying it. In this mode, the toy cannot be activated by pressing the dolphin.
 - SOUND & MOTION: Plays music and ocean sounds (or ocean sounds only) while the boat rocks back and forth. Waves gently roll and are illuminated by a soft, glowing light. (The light always accompanies the motion.)
 - SOUND ONLY: Plays music and ocean sounds with no motion or light.
 - PREVIEW: This mode allowed you to try the product while it was still in the package. PREVIEW is not used for normal operation.

2. Press dolphin once to activate toy. (Toy must be in either the SOUND & MOTION or SOUND ONLY mode.)

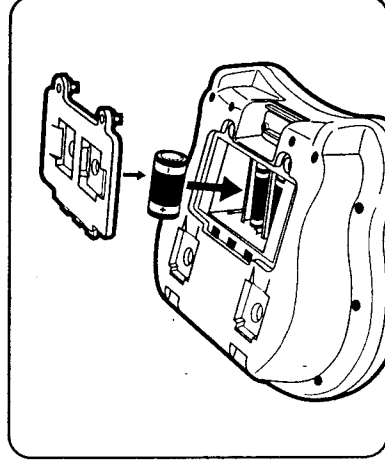
- Each time you press the dolphin, the toy automatically alternates between two sound modes: OCEAN SOUNDS & MUSIC, and OCEAN SOUNDS ONLY.
- The toy plays for up to 15 minutes. Actual play time depends on the strength of the battery. After toy stops, press dolphin again to restart the toy.



3. Notes:

- If you press the dolphin while the toy is playing, the toy immediately switches to the other sound mode.
- If the toy is playing and you move the switch on the back of toy...
 - ...From one "active" mode to another "active" mode (the SOUND & MOTION and SOUND ONLY modes): the toy automatically stops. You will have to press the dolphin to restart the toy.
 - ...From any position to OFF: the toy automatically stops. You will have to move the switch to a different mode before you can reactivate the toy.

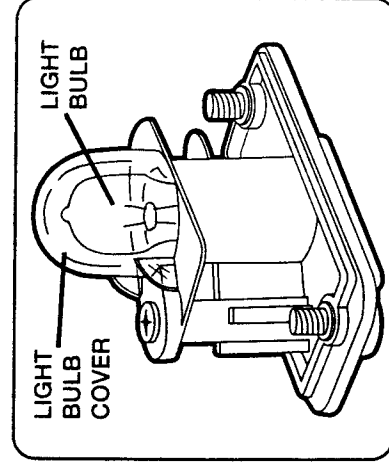
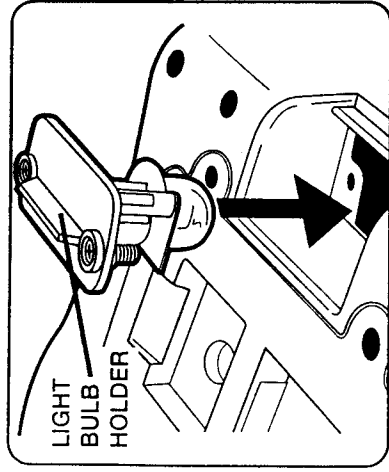
TO REPLACE BATTERIES:



1. This toy is equipped with 3 "C" batteries. When they run out, use a Phillips screwdriver (not included) to loosen the 2 screws securing the battery compartment door and remove door. The screws remain attached to the battery door.
2. Remove and discard the batteries. Insert 3 new "C" batteries into battery compartment. (We recommend Energizer® alkaline batteries.) Replace the battery door and tighten the screws with the screwdriver.

CAUTION: TO AVOID BATTERY LEAKAGE:

1. Be sure to insert the batteries correctly and always follow the toy and battery manufacturers' instructions.
2. Do not mix old batteries and new batteries.
3. Do not mix alkaline, standard (carbon zinc) or rechargeable (nickel-cadmium) batteries.
4. Always remove exhausted or dead batteries from the product.



1. Using a Phillips screwdriver, loosen screws in light bulb holder (screws will stay in holder). Remove holder from toy.
2. Loosen screw in light bulb cover (screw will stay in cover), and remove cover.
3. Remove light bulb from holder and replace with a fresh, new PR-3 or PR-6 light bulb. Replace light bulb cover and tighten screw. Replace light bulb holder in toy and tighten screws.

FCC STATEMENT

This equipment has been tested and found to comply with the limits for a Class B digital device, pursuant to Part 15 of the FCC Rules. These limits are designed to provide reasonable protection against harmful interference in a residential installation. This equipment generates, uses and can radiate radio frequency energy, and, if not installed and used in accordance with the instructions, may cause harmful interference to radio communications. However, there is no guarantee that interference will not occur in a particular installation. If this equipment does cause harmful interference to radio or television reception, which can be determined by turning the equipment off and on, the user is encouraged to try to correct the interference by one or more of the following measures:

- Reorient or relocate the receiving antenna.
- Increase the separation between the equipment and the receiver.
- Consult the dealer or an experienced radio/TV technician for help.

Changes or modifications not expressly approved by the party responsible for compliance could void the user's authority to operate the equipment.

Music:

© 1998 Hasbro, Inc.

New musical arrangements by Tim Lightbody.

Product and colors may vary.

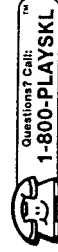
EVEREADY, ENERGIZER, and the EVEREADY logo are registered trademarks of EVEREADY BATTERY COMPANY, INC., St. Louis, MO 63164.

© 1998 Hasbro, Inc..

® denotes Reg. U.S. Pat. & TM Office.

U.S. Patent Pending. MADE IN CHINA.

P/N 47860600

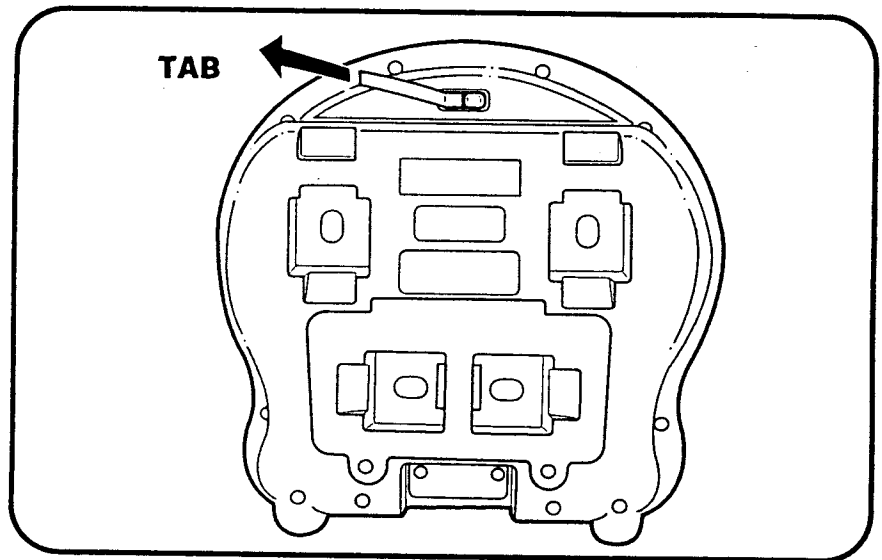




5129
Birth & Up

Ocean Dreamer™

**ADULTS NOTE: BEFORE GIVING TOY TO CHILD:
Remove and discard cardboard TAB attached
to switch on back of toy!**



IMPORTANT!

If the toy stops working in SOUND/MOTION mode and continues to work in SOUND ONLY mode, this means that the batteries need to be replaced. Replace the batteries with 3 fresh "C" ALKALINE batteries (see instruction sheet for battery replacement directions).

Product and colors may vary.

© 1998 Hasbro, Inc.

® denotes Reg. U.S. Pat. & TM Office.

U.S. Patent Pending.

P/N 4845760000



Questions? Call:™
1-800-PLAYSKL