

OVER 3 months
08977

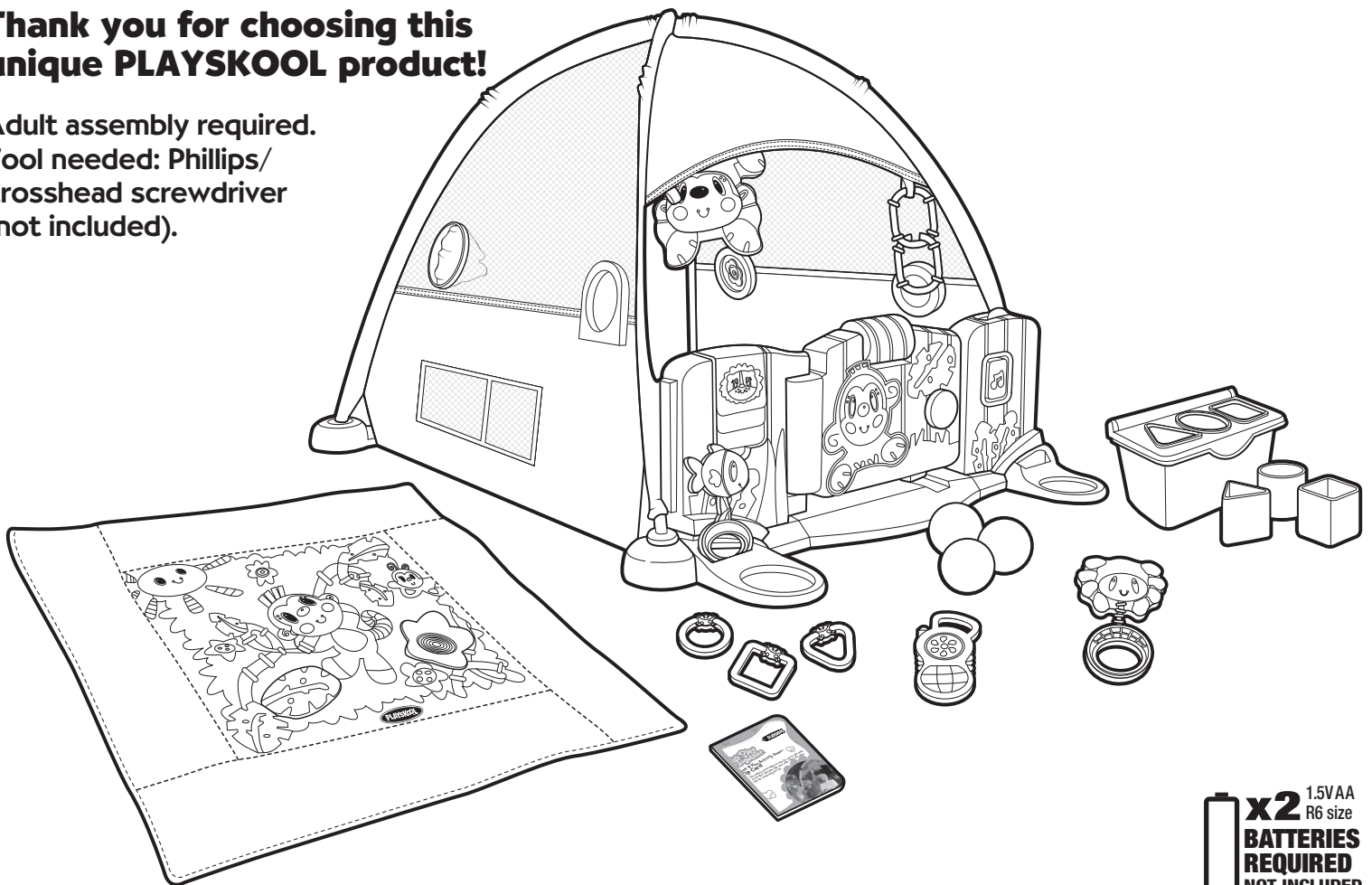
PLAYSKOOL

Let's Play Together™

Peek 'N Play Discovery Dome™

Thank you for choosing this unique **PLAYSKOOL** product!

Adult assembly required.
Tool needed: Phillips/
crosshead screwdriver
(not included).



Includes fabric dome with rods, left fence panel/door, right fence panel, threshold, left front support, right front support, left rear base, right rear base, 3 balls, spider teether, phone, monkey rattle, fish rattle, mailbox shape sorter (2 pieces) with 3 fit-in shapes, 2 links, triangle, circle, square, 12 washer head screws, LET'S PLAY TOGETHER tip card and playmat.

x2 1.5VAA
R6 size
**BATTERIES
REQUIRED
NOT INCLUDED**

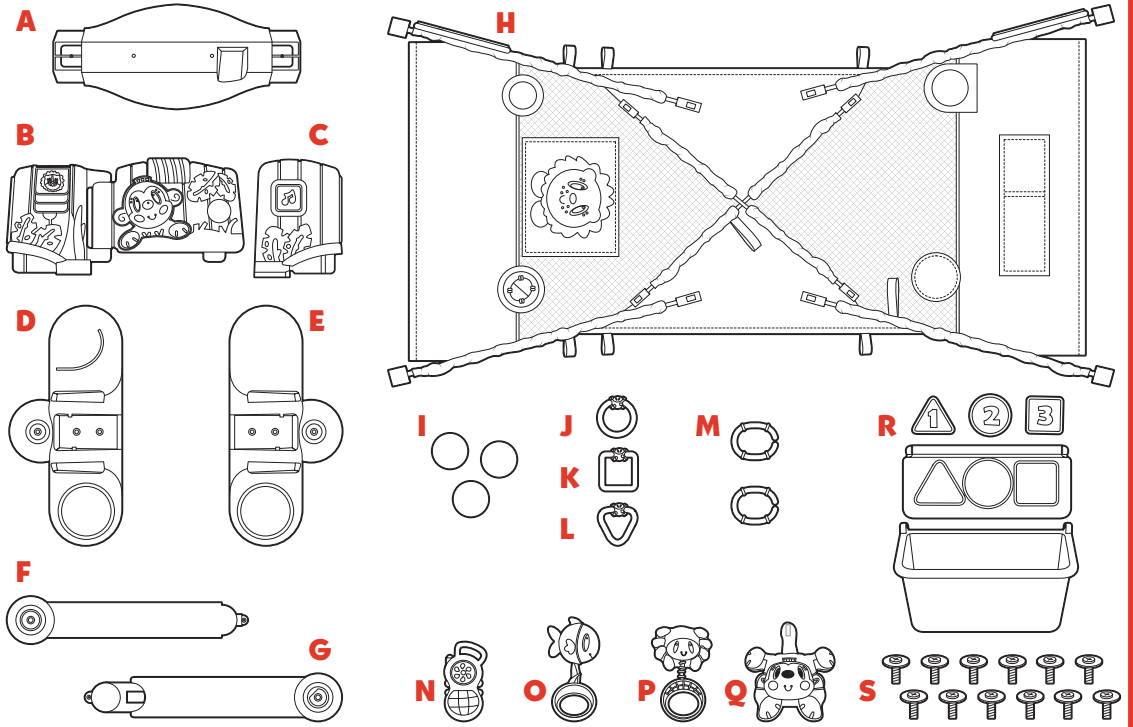
Alkaline batteries
recommended.
Phillips/cross head
screwdriver (not included)
needed to insert batteries.

⚠ WARNING: Continuous adult supervision required. To avoid injury and to prevent possible strangulation and entanglement injury: NEVER place dome in crib or playpen. ALWAYS play with dome on the floor. NEVER add strings or ties to the dome.

⚠ CAUTION: This product contains small parts which are necessary for assembly. Prior to and during assembly of this product, keep small parts out of children's reach. Small parts pose a choking hazard to children under 3 years.

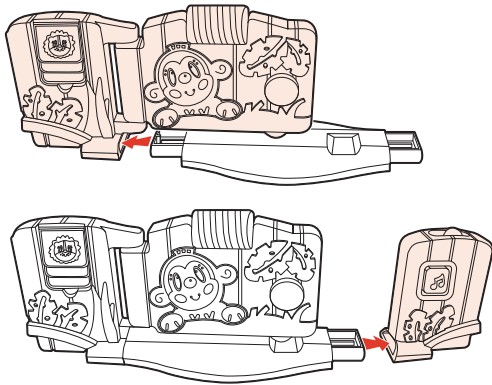
PARTS:

- A** threshold
- B** left fence panel/door
- C** right fence panel
- D** left front support
- E** right front support
- F** right rear base
- G** left rear base
- H** fabric dome with rods
- I** 3 balls
- J** circle
- K** square
- L** triangle
- M** 2 links
- N** phone
- O** fish rattle
- P** spider teether
- Q** monkey rattle
- R** mailbox shape sorter (2 pieces) with 3 fit-in shapes
- S** 12 washer head screws



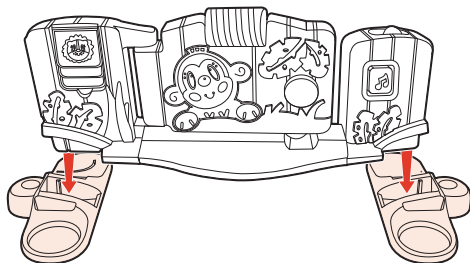
ASSEMBLY:

NOTE: You will need a Phillips/cross head screwdriver (not included) for proper assembly.

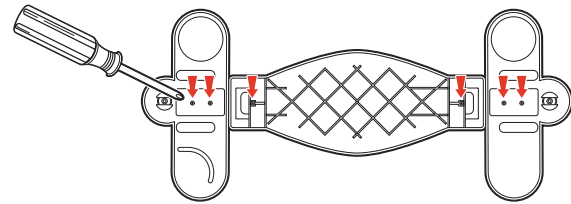


STEP 1: Slide the threshold into the left fence panel/door as shown. Attach the right fence panel to the other side of the threshold as shown.

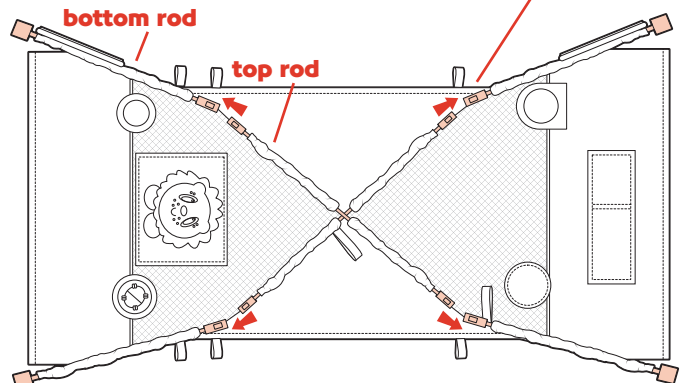
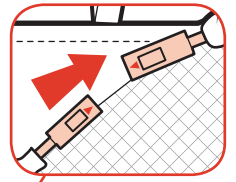
NOTE: You will hear a "snap" when these pieces are properly connected.



STEP 2: Place the left front support under the left fence panel/door. Gently press fit left fence panel/door down onto left front support as shown. Repeat step for right front support and right fence panel.

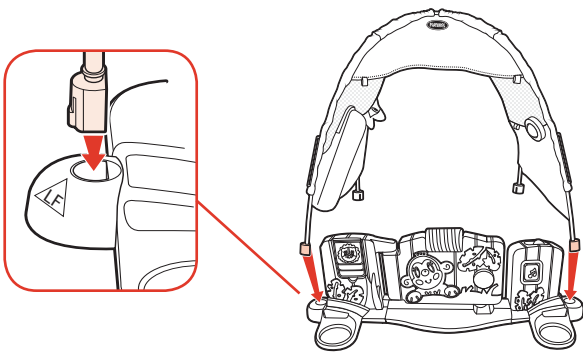


STEP 3: Turn the unit over and secure the left and right front supports and threshold by inserting washer head screws in each screw point as shown. Turn unit right-side up once screws are inserted.



STEP 4: Lie the fabric dome out flat as shown. Lift the top of the fabric dome up and connect all 4 built-in support rods by inserting the top rod into the bottom rod as shown.

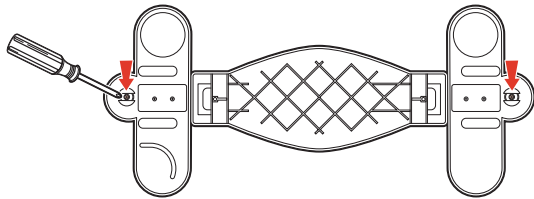
NOTE: Rods are made to flex for increased ease of assembly. You may need to slide the fabric up on the rods to assemble posts.



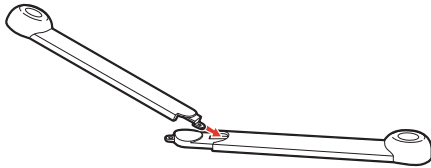
STEP 5a: Insert the fabric dome's 2 front rods into the 2 rod holders located on the left and right front supports.

NOTE:

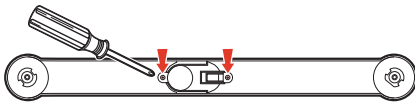
Left front rod is marked: LF
Right front rod is marked: RF



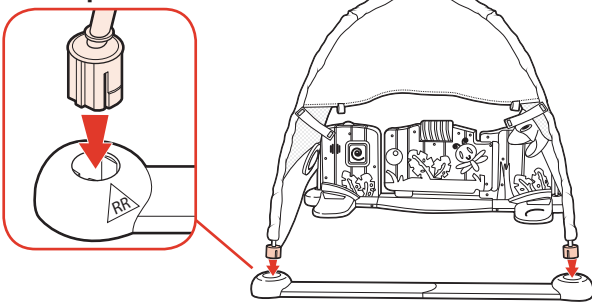
STEP 5b: Turn the unit on its side and secure the 2 front rods to the 2 rod holders by inserting washer head screws in each screw point.



STEP 6a: Connect the right rear base to the left rear base.



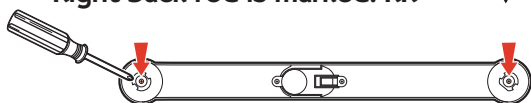
STEP 6b: Turn the newly connected rear base over and secure it by inserting washer head screws in the screw points .



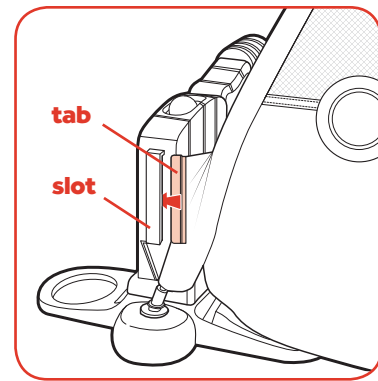
STEP 7a: Insert the fabric dome's 2 back rods into the 2 rod holders located on the rear base.

NOTE:

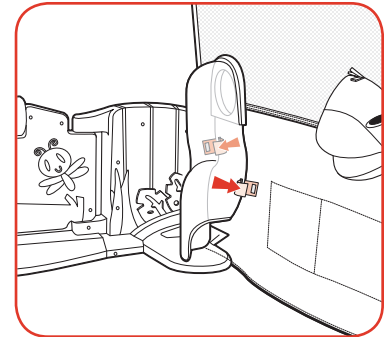
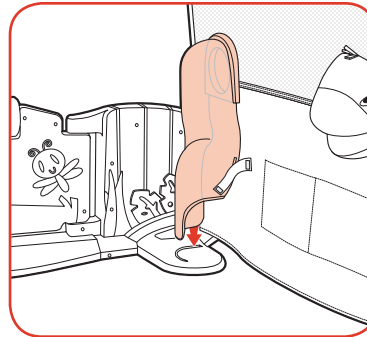
Left back rod is marked: LR
Right back rod is marked: RR



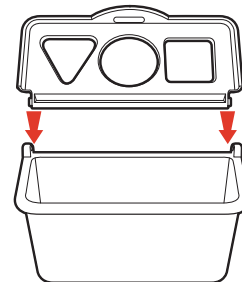
STEP 7b: Lift the rear panel and secure the 2 back rods to the 2 rod holders by inserting washer head screws in each screw point.



STEP 8: Insert the tab on the front of the fabric dome into the slot on the back of the fence panels as shown.



STEP 9: Attach tube bottom to slot on left front support. Secure tube to fabric with tabs as shown.



STEP 10: Attach the shape sorter lid to the shape sorter mailbox as shown.

PLAY FEATURES:

Place the playmat on the floor.

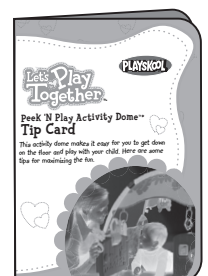
NOTE:

Place the dome on the playmat so that the dome covers the corners of the playmat.

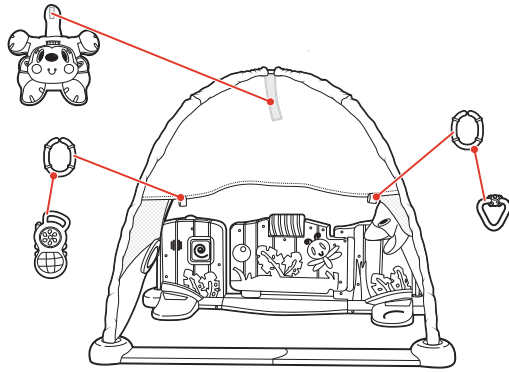
Your child will love to explore the activities on the playmat, which include:

- Peek-a-boo crinkly leaf
- Fun-to-touch satin flower
- Pull ribbon "hair" on the monkey

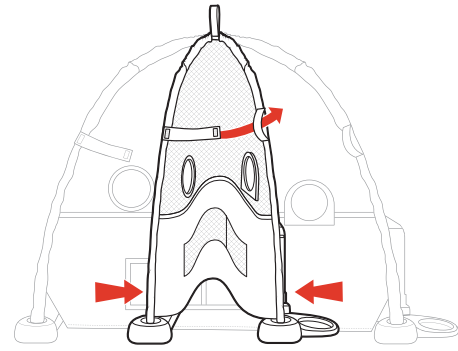
Please see your LET'S PLAY TOGETHER tip card (included) for all kinds of great play activities and ideas!



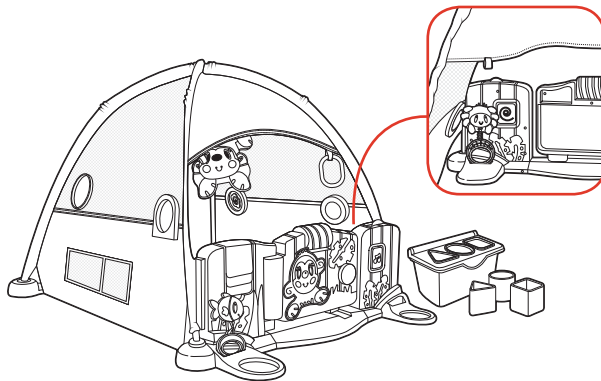
DECORATIONS, STORAGE AND PORTABILITY:



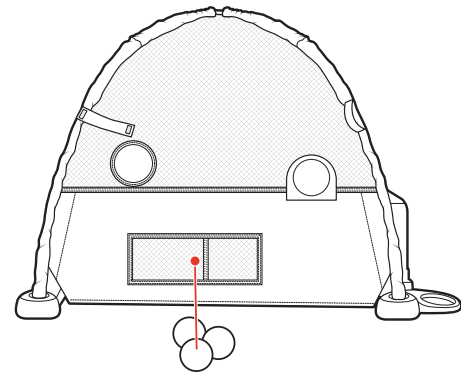
1. Hanging toys can be attached to loops on the sides or at the top as shown. You can also attach other Let's Play Together™ products (sold separately) to loops.



3. This Playskool product easily folds together for storage and portability. Simply fold the front and back together and connect them using the straps as shown. Use the convenient carry handle for on-the-go play.



2. Spider teether, rattles and the shape sorter mailbox can be placed in either of the 2 front slots or the inside slot as shown.



4. Put-and-take pocket doubles as a storage pouch for balls.

TO INSTALL BATTERIES:

Use a Phillips/crosshead screwdriver to loosen screw in battery compartment door (screw remains attached to door). Insert 2 x 1.5V "AA" or R6 size batteries. Alkaline batteries recommended. Replace door and tighten screw.

⚠ CAUTION: TO AVOID BATTERY LEAKAGE

1. Be sure to insert the batteries correctly and always follow the toy and battery manufacturers' instructions;
2. Do not mix old and new batteries or alkaline, standard (carbon-zinc) or rechargeable (nickel-cadmium) batteries;
3. Always remove weak or dead batteries from the product.

IMPORTANT: BATTERY INFORMATION

Please retain this information for future reference. Batteries should be replaced by an adult.

⚠ CAUTION:

1. Always follow the instructions carefully. Use only batteries specified and be sure to insert item correctly by matching the + and - polarity markings.
2. Do not mix old batteries and new batteries or standard (carbon-zinc) with alkaline batteries.
3. Remove exhausted or dead batteries from the product.
4. Remove batteries if product is not to be played with for a long time.
5. Do not short circuit the supply terminals.
6. Should this product cause, or be affected by, local electrical interference, move it away from other electrical equipment. Reset (switching off and back on again or removing and re-inserting batteries) if necessary.
7. RECHARGEABLE BATTERIES: Do not mix these with any other types of battery. Always remove from the product before recharging. Recharge batteries under adult supervision. DO NOT RECHARGE OTHER TYPES OF BATTERIES.

FCC STATEMENT

This equipment has been tested and found to comply with the limits for a Class B digital device, pursuant to part 15 of the FCC Rules. These limits are designed to provide reasonable protection against harmful interference in a residential installation. This equipment generates, uses and can radiate radio frequency energy, and, if not installed and used in accordance with the instructions, may cause harmful interference to radio communications. However, there is no guarantee that interference will not occur in a particular installation. If this equipment does cause harmful interference to radio or television reception, which can be determined by turning the equipment off and on, the user is encouraged to try to correct the interference by one or more of the following measures:

- Reorient or relocate the receiving antenna.
- Increase the separation between the equipment and receiver.
- Consult the dealer or an experienced radio/TV technician for help.

