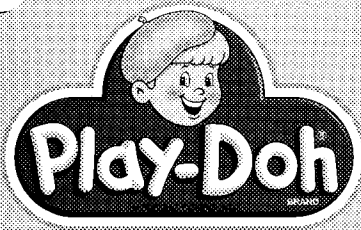


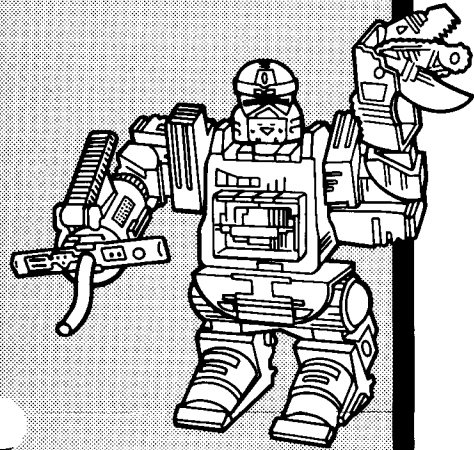
Ages 3 & Up

22104

### ASSEMBLING THE DOH-BOT:



# Doh-Bot™

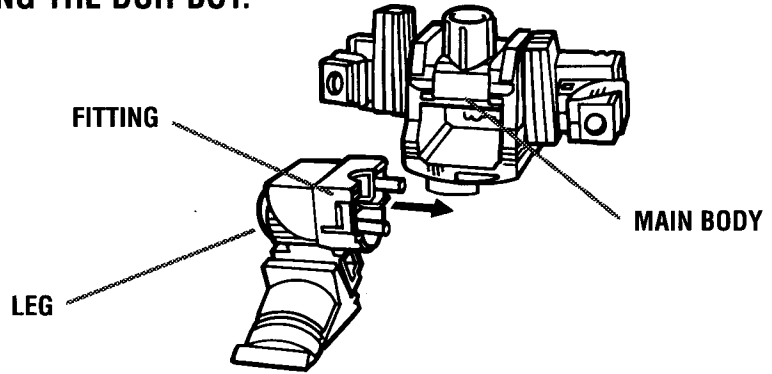


NONTOXIC CONFORMS TO  
ASTM D-4236

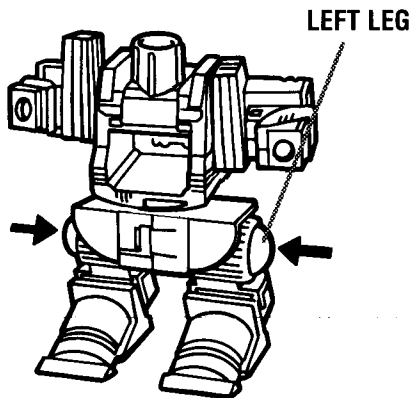
PLAY-DOH® and PLAY-DOH®  
logo are registered trademarks  
identifying quality modeling  
compound products produced  
exclusively by Hasbro, Inc.  
©1996 Hasbro, Inc.,  
Pawtucket, RI 02862 USA.  
All Rights Reserved.  
ASSEMBLED IN MEXICO  
FROM US AND MEXICAN  
COMPONENT PARTS.  
P/N 46333800



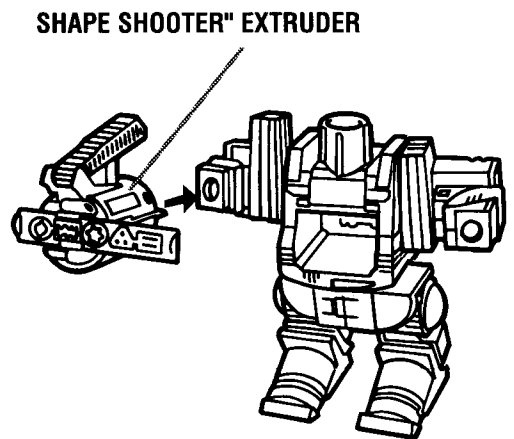
Questions? Call:  
**1-800-PLAYSKL™**



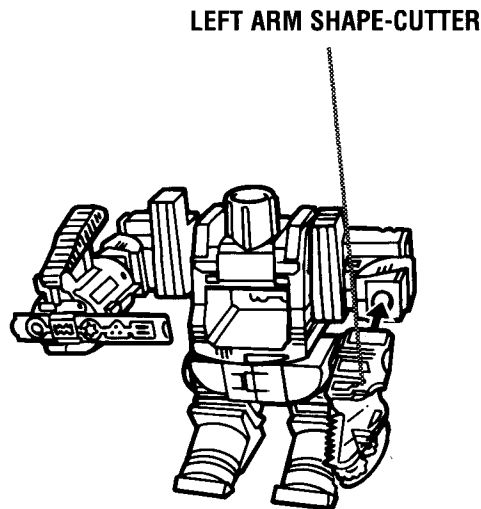
1. First, assemble the Doh-Bot figure's right leg, sliding the leg over the fitting underneath the Doh-Bot figure's main body piece from the side as shown.



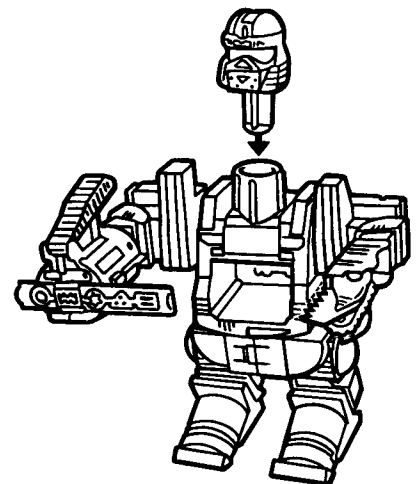
2. Now, assemble the Doh-Bot figure's left leg, once again sliding into place from the side, and locking the tabs on left leg into the slots on right leg as shown.



3. Snap the right arm "Shape Shooter" extruder into place. When assembled, the handle of the extruder should be on top as shown.



4. Snap the left arm shape-cutter into place in the same way. Both, shape shooter extruder and shape cutter are removable to be used either as part of the Doh-Bot figure or as separate play pieces.



5. Finally, add the Doh-Bot figure's head (which is also a Play-Doh® brand plunger) and you've created an awesome robot factory! (The instructions for making robot molds are in full color on the back of this package.)