

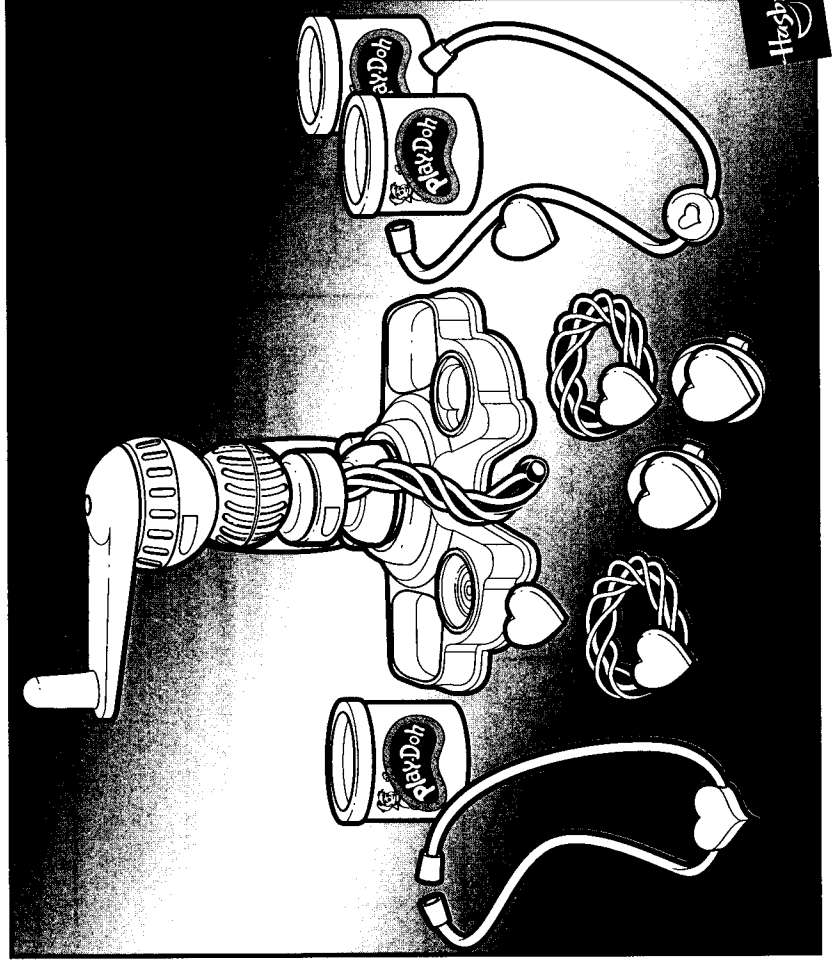
Ages 3 & Up
22331



Jewelry Maker

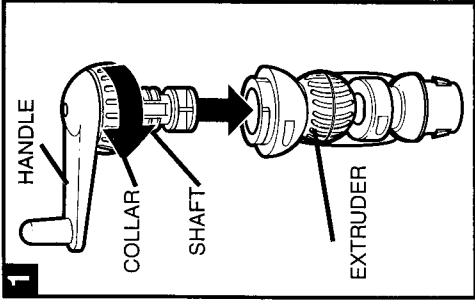
Contents:

- 3 Two-ounce cans of PLAY-DOH® Brand Modeling Compound (Net Weight 6 oz., 170 grams)
- Jewelry Maker machine (with molds, storage areas and ring posts)
- Necklace book mold (with mirror)
- 2 Necklaces
- 2 Rings
- 3 Bracelet dies
- Trimmer knife.



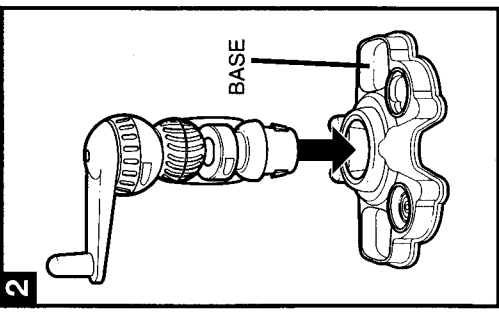
PLAY-DOH and PLAY-DOH logo are trademarks identifying quality modeling compound products produced exclusively by Hasbro, Inc.
© 2000 Hasbro, Inc. All Rights Reserved.
® denotes Reg. U.S. Pat. & TM Office.
22331 P/N 6047480000

EXTRUDER ASSEMBLY



1. Fit shaft on extruder handle through upper hole in extruder so that handle collar is flush against extruder. Turn collar clockwise to lock handle in place.

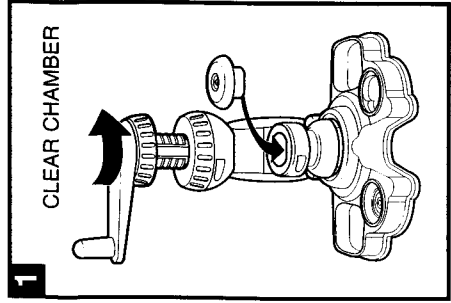
2. Line up flat edge of extruder post with flat edge of hole, and snap extruder onto base. (This is a one-time snap fit.)



COMPOUND FUN

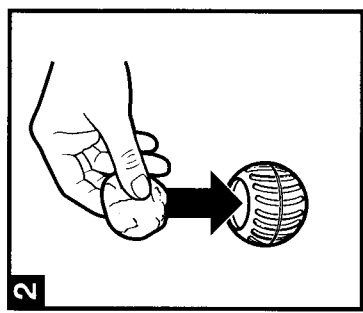
MAKE A BRACELET ...

1. Select one of the 3 bracelet dies. Turn extruder handle counterclockwise to raise shaft all the way up. Align flat edge on die with flat edge of lower hole in extruder, and insert die into hole as shown.

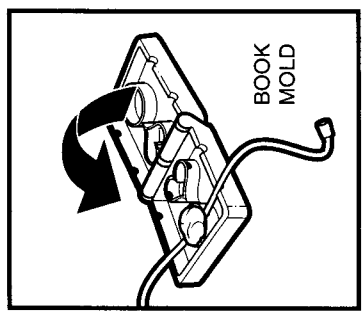


2. Load the clear chamber with compound. Fit the clear chamber onto the die, with the large opening on the chamber facing up.

3. Turn the extruder handle clockwise to extrude a compound bracelet! There are 3 different bracelet styles you can make. For added variety, try mixing compound colors for your bracelet!



NECKLACE



1. Open the necklace book mold, and add compound into 2 halves of one shape mold.

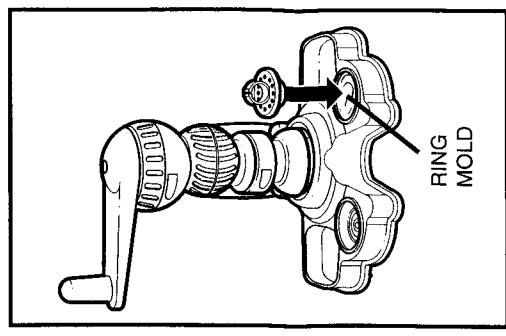
2. Place necklace into slots of mold as shown. Close book mold, then open again to reveal your new styled necklace!



RING

1. Fill ring mold on base with compound.

2. Press ring into mold, then remove it for a pretty-as-can-be ring!



TO CLEAN EXTRUDER

Turn collar on extruder handle counterclockwise and remove handle. Scrape compound out of holes in extruder.

