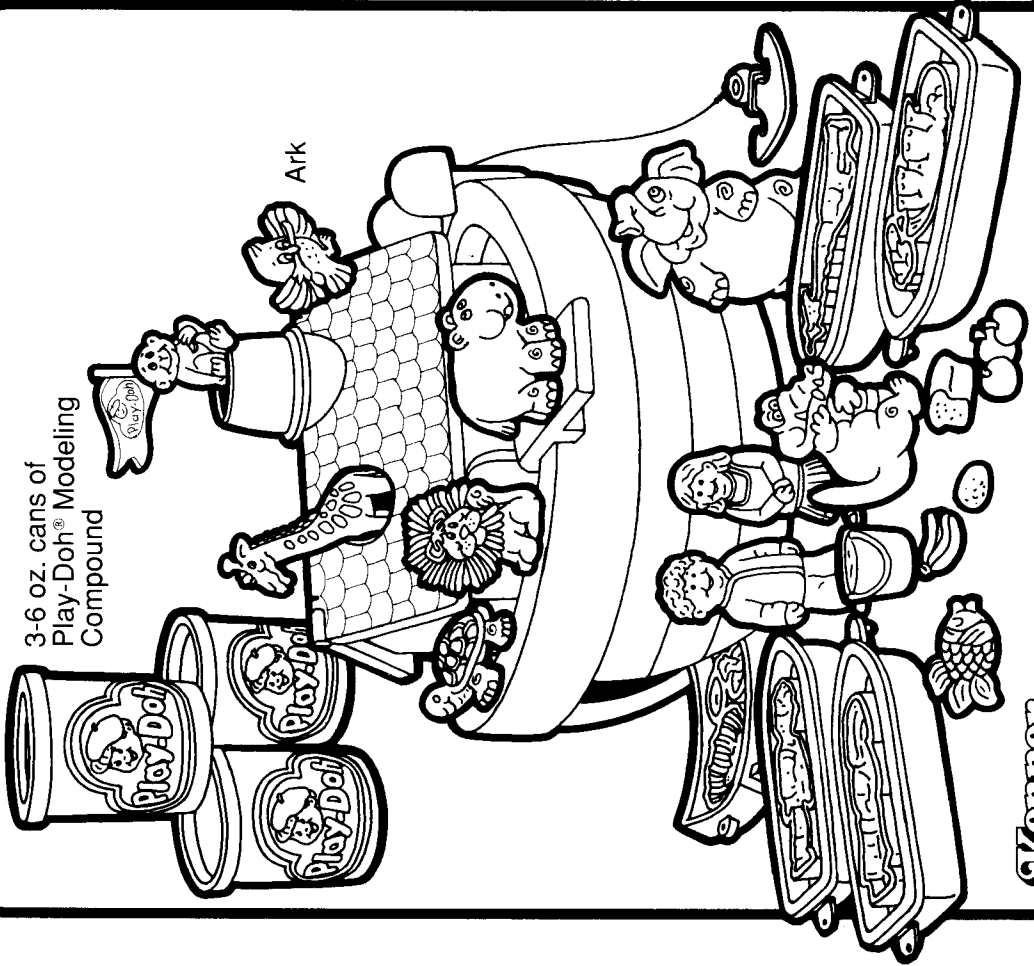


BRAND
BRIGHT STARTERS™
 BRAND
NOAH'S ARK

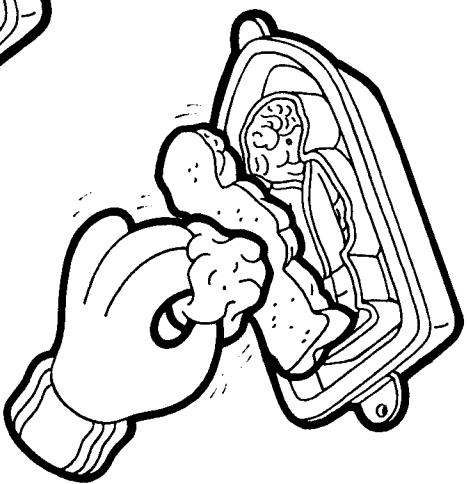
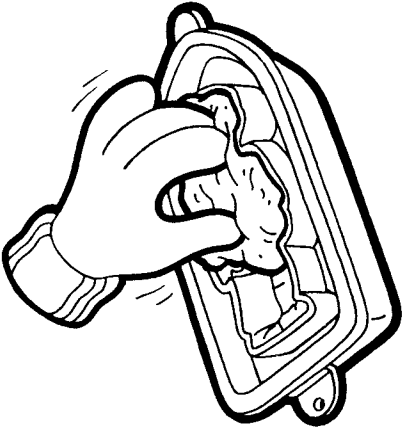


3-6 oz. cans of
 Play-Doh® Modeling
 Compound

Kenner
 © Kenner 1990,
 a division of Tonka Corporation

To Use Molds:

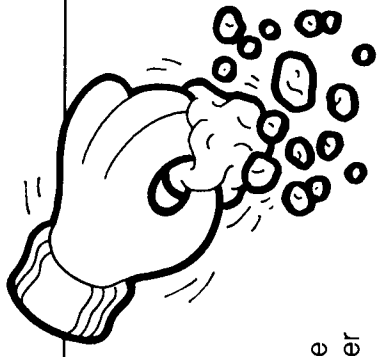
Knead a ball of modeling compound until it is soft and pliable. Press into mold; lift out. If necessary, use a small ball of modeling compound to help lift figure from mold. A small ball of modeling compound placed behind the figures feet will help it stand.



Use the anchor as a trimming tool to clean up the edges of figures.

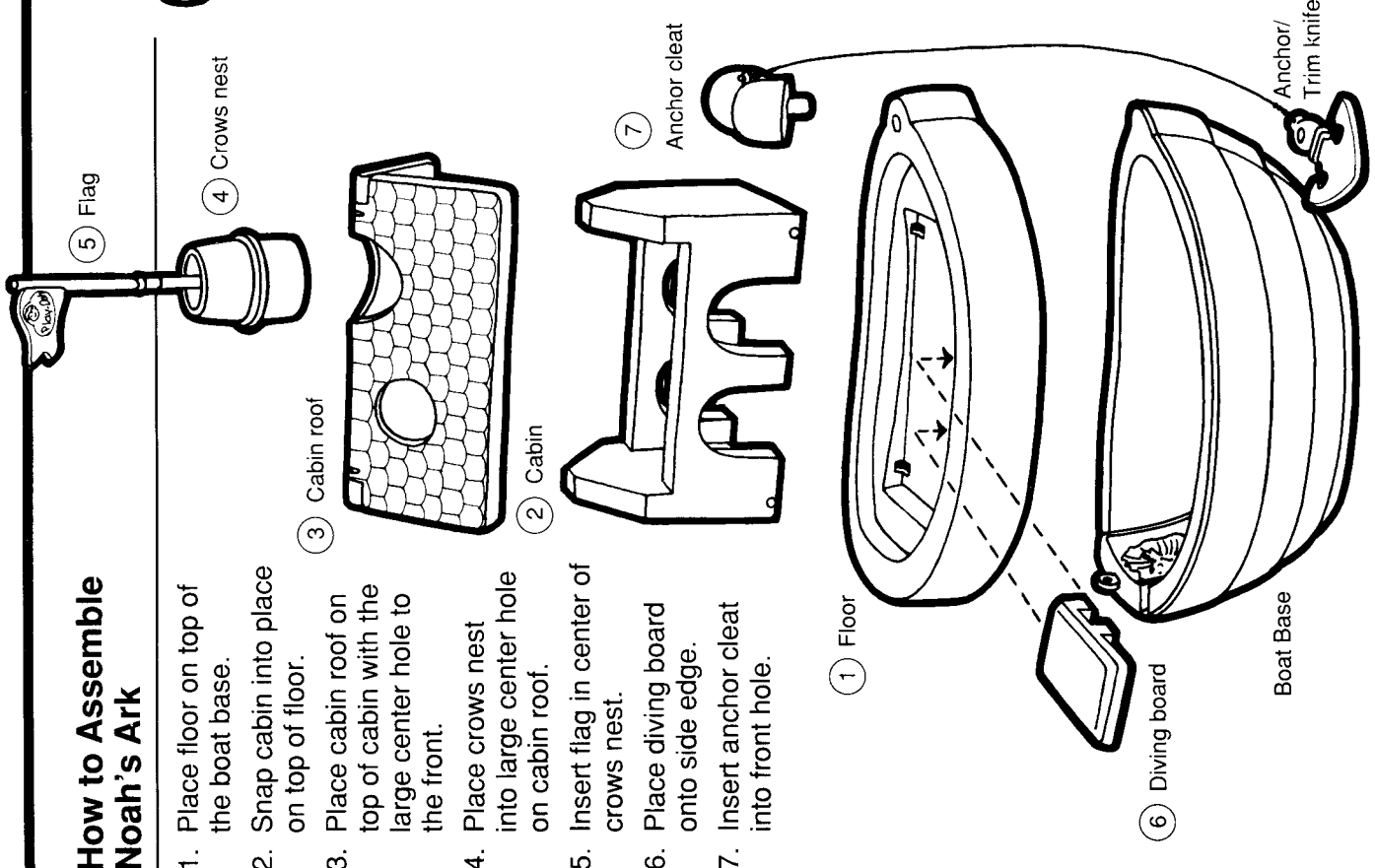
Clean-up

When you are finished playing with your ark, clean up all the modeling compound out of the molds. Use a ball of modeling compound to pick up small pieces, put back into cans and replace lids tightly. Parts can be washed out with mild soap and water if necessary.

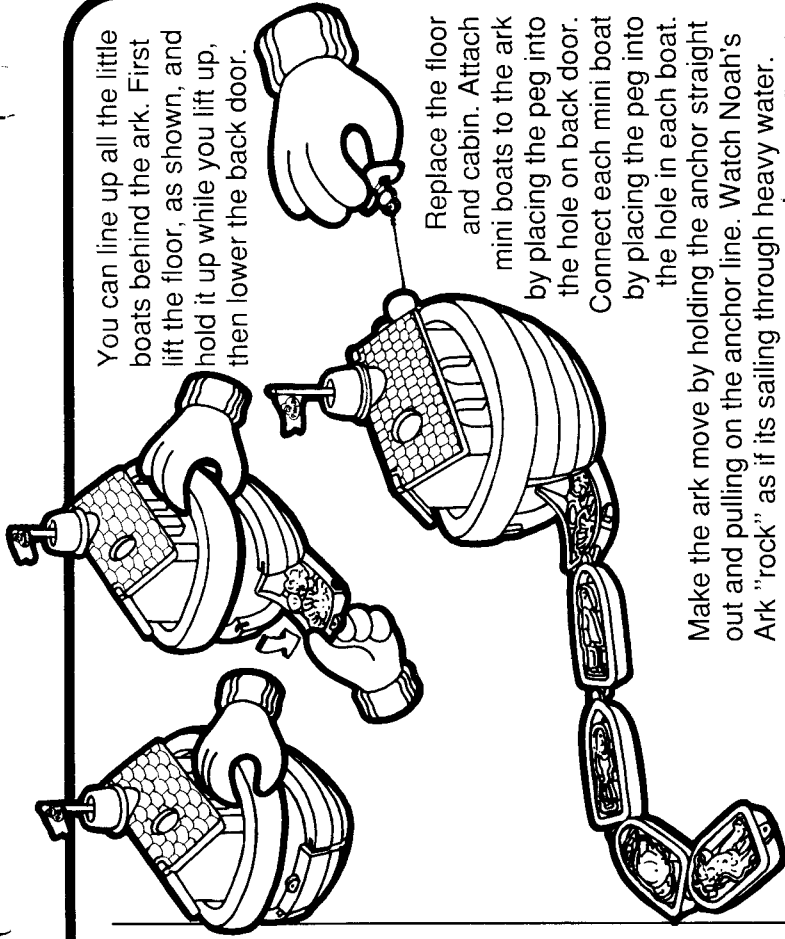


How to Assemble Noah's Ark

1. Place floor on top of the boat base.
2. Snap cabin into place on top of floor.
3. Place cabin roof on top of cabin with the large center hole to the front.
4. Place crows nest into large center hole on cabin roof.
5. Insert flag in center of crows nest.
6. Place diving board onto side edge.
7. Insert anchor cleat into front hole.



You can line up all the little boats behind the ark. First lift the floor, as shown, and hold it up while you lift up, then lower the back door.



Replace the floor and cabin. Attach mini boats to the ark by placing the peg into the hole on back door. Connect each mini boat by placing the peg into the hole in each boat.

Make the ark move by holding the anchor straight out and pulling on the anchor line. Watch Noah's Ark "rock" as if its sailing through heavy water. (Note: This is not a water toy and it will not float.)

Make Noah and his friends and recreate this well loved story!

