

AGES 3+
23001

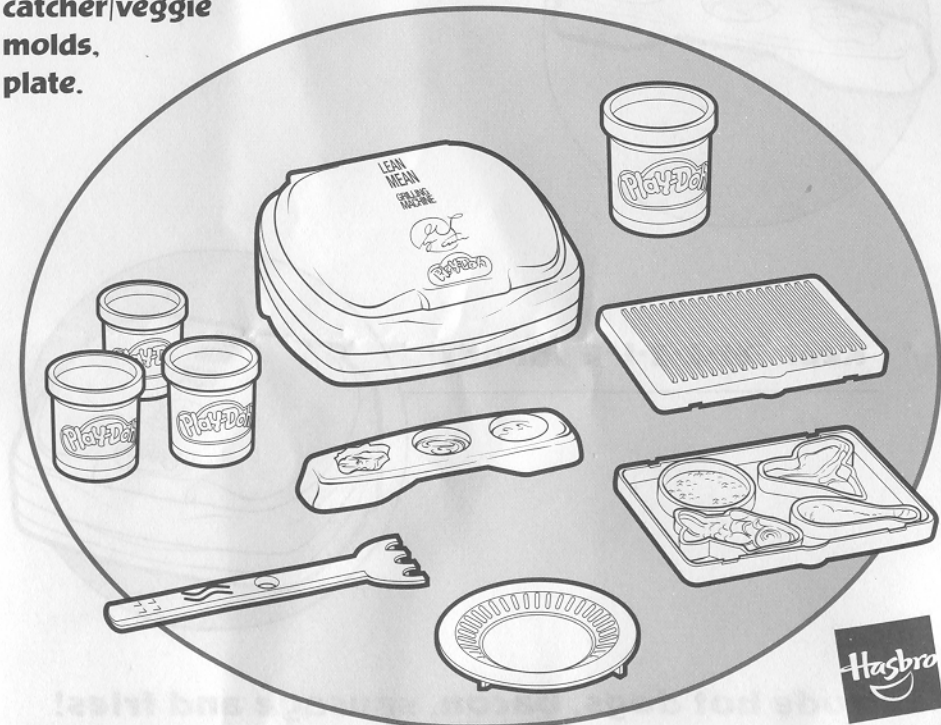


George Foreman Grill™

CONTENTS:

3 two-ounce cans and 1 five-ounce can of PLAY-DOH Brand Modeling Compound (Net Weight 11 oz., 311 grams), George Foreman Grill™ toy, 2 grill surfaces/molds, extruder rail/grill scraper, grease catcher/veggie molds, plate.

Includes 3 x 1.5V "AA"/R6 batteries. Alkaline batteries recommended. Phillips/crosshead screwdriver (not included) required to replace batteries.



FCC STATEMENT

This equipment has been tested and found to comply with the limits for a Class B digital device, pursuant to part 15 of the FCC Rules. These limits are designed to provide reasonable protection against harmful interference in a residential installation. This equipment generates, uses and can radiate radio frequency energy, and, if not installed and used in accordance with the instructions, may cause harmful interference to radio communications. However, there is no guarantee that interference will not occur in a particular installation. If this equipment does cause harmful interference to radio or television reception, which can be determined by turning the equipment off and on, the user is encouraged to try to correct the interference by one or more of the following measures:

- Reorient or relocate the receiving antenna.
- Increase the separation between the equipment and the receiver.
- Consult the dealer or an experienced radio/TV technician for help.

EASY 3-STEP CLEANUP!

1. Place PLAY-DOH Brand Modeling Compound back in cans and seal lid.
2. Remove excess from carpets/fabrics, then allow remaining compound to dry.
3. Loosen dried compound with stiff brush and vacuum clean. If necessary, brush with gentle soap and cold water. (Do not use hot water or cleaning solutions to clean PLAY-DOH compound from carpets/fabrics.)

NONTOXIC. CONFORMS TO ASTM D-4236

Copyrights and trademarks of Salton, Inc., including GEORGE FOREMAN™ and GEORGE FOREMAN GRILL™, are used under license to Hasbro, Inc. PLAY-DOH and the PLAY-DOH logo are trademarks identifying quality modeling compound products produced exclusively by Hasbro, Inc.

®* and/or ™* & © 2003 Hasbro. All Rights Reserved.

Play-Doh Formula U.S. Patent Pending.

® denotes Reg. U.S. Pat. & TM Office

23001 PN 6239320000

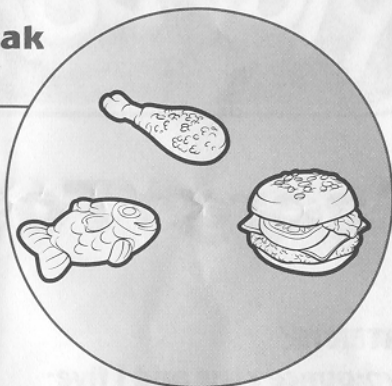
PLAYDOH.COM
FOR NEW PRODUCTS AND OFFERS

Questions? Call: 1-800-327-8264

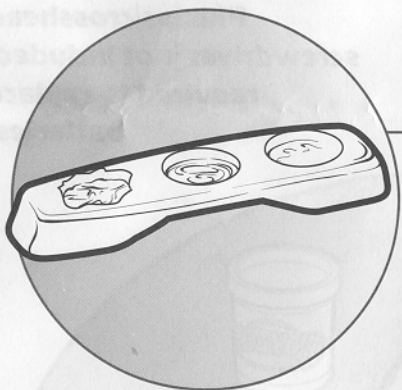


Sizzle up some PLAY-DOH®* compound fun with the just-for-kids George Foreman Grill™!

Mold and grill chicken, steak burgers and fish!



Mold veggies with the grease catcher!



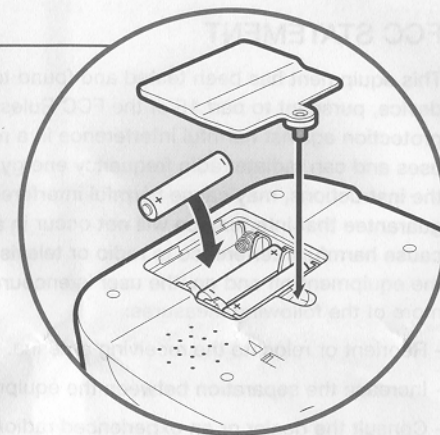
Real S-I-Z-Z-L-E sounds!



Extrude hot dogs, bacon, sausage and fries!

TO REPLACE BATTERIES

Using Phillips/crosshead screwdriver, loosen screw in battery compartment cover (screw stays attached to cover). Remove cover. Remove and discard old batteries. Replace with 3 fresh "AA"/LR6 (1.5V) alkaline batteries. Replace cover and tighten screw.



⚠ CAUTION: TO AVOID BATTERY LEAKAGE

- 1) Be sure to insert the batteries correctly and always follow the toy and battery manufacturers' instructions;
- 2) Do not mix old and new batteries or alkaline, standard (carbon-zinc) or rechargeable (nickel-cadmium) batteries;
- 3) Always remove weak or dead batteries from the product.

IMPORTANT: BATTERY INFORMATION

Please retain this information for future reference. Batteries should be replaced by an adult.

⚠ CAUTION:

1. Always follow the instructions carefully. Use only batteries specified and be sure to insert item correctly by matching the + and - polarity markings.
2. Do not mix old batteries and new batteries or standard (carbon-zinc) with alkaline batteries.
3. Remove exhausted or dead batteries from the product.
4. Remove batteries if product is not to be played with for a long time.
5. Do not short circuit the supply terminals.
6. Should this product cause, or be affected by, local electrical interference, move it away from other electrical equipment. Reset (switching off and back on again or removing and re-inserting batteries) if necessary.
7. **RECHARGEABLE BATTERIES:** Do not mix these with any other types of battery. Always remove from the product before recharging. Recharge batteries under adult supervision. **DO NOT RECHARGE OTHER TYPES OF BATTERIES.**