

**PLAYSKOOL**

**Cats,  
Crinkles 'N  
Curly<sup>TM</sup>  
Activity Book**

**Kenner**

Ages 4 & Up

**▲ WARNING:**  
CHOKING HAZARD - Small parts.  
Not for children under 3 years.

# A Message to Parents ...

**Art is a wonderful way for children to express their creativity and expand their imaginations. Outlined in this booklet are just some of the stimulating art projects that you and your child can work on together.**

**Because this activity toy is open-ended in nature, it will encourage experimentation, and assure that each creation will be uniquely successful. And to help ensure that your child's creative experience is a positive one, we suggest that you praise each effort, and display your child's artwork so that he or she will feel a sense of accomplishment.**

**As an added benefit, the play pattern will help develop fine motor skills, though at least in the beginning, an adult should provide the hands-on guidance needed to complete a project.**

**We sincerely hope that you and your child enjoy many happy hours exploring and creating with the Cuts, Crinkles 'N Curls™ activity toy. And, as with any child's toy, always remember that the most important step in achieving the maximum benefit is to ...**

**HAVE FUN !**

# How to use the Cuts, Crinkles 'N Curls™ activity toy

## To use Cutter (Fig. 1)

1. Adjust the cutting guide to your desired paper strip width.
2. Place the edge of a sheet of paper against the cutting guide (and under cutting guide tab).
3. Use your finger to press paper into the recessed area on design machine. (The indent created by pressing the paper into the recessed area gives the paper the shape that allows it to be pushed through the cutting area.) Be sure to maintain pressure in the recessed area as you push it, to prevent the paper from folding. When the paper appears on the other side, grasp it and slowly pull it straight through to complete the cut.

Note: For best results, use paper with smooth surfaces and edges. Though construction paper may be used with Cuts, Crinkles 'n Curls, it may cause paper pulp to build up on the blade faster (requiring more cleaning), and it will dull the blade more quickly.

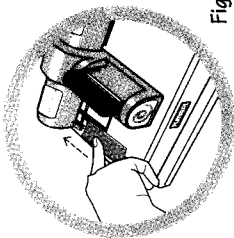


Fig. 1

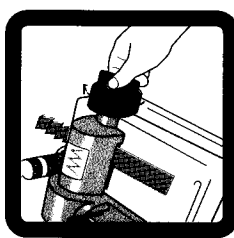


Fig. 2

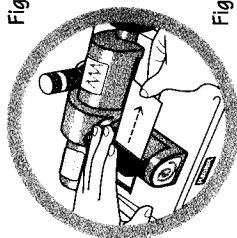
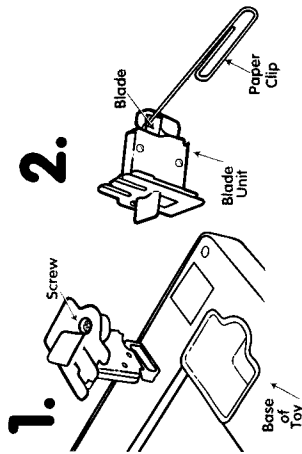


Fig. 3

## To clean or replace the cutter blade

Periodic cleaning of the blade is recommended for better performance. To clean blade:

1. Flip toy over. Unscrew and remove blade unit.
  2. Use a paper clip to remove trapped paper, or blow on the blade to remove paper dust.
- If, after cleaning the blade, the paper continually jams in the cutter, or does not cut smoothly, the blade is probably dull or damaged and will need to be replaced. Call 1-800-327-8264 for a replacement blade unit.



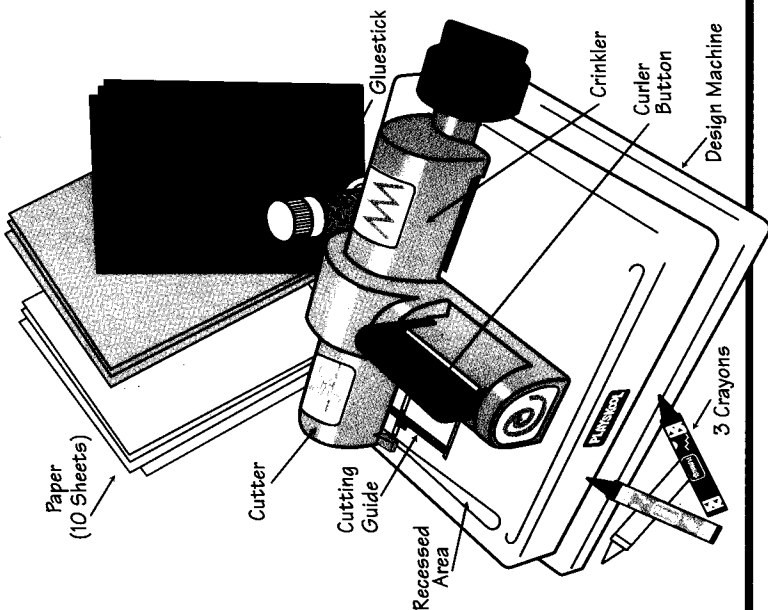
## To use Crinkler (Fig. 2)

1. Slide strip of paper into the crinkler, then turn handle clockwise to feed it through crinkler. Be sure to keep paper centered in the front as you turn the handle.

## To use Curler (Fig. 3)

1. Feed strip of paper through the left side of curter, until enough paper comes through the other side to enable you to grasp it. Press and hold down curter button, then pull paper straight out. Note: pulling paper downward as you pull it through will result in tighter curls.

To complete your designs, use the crayons to decorate the paper strips, and the gluestick to fasten strips together.



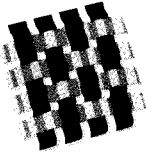
# Design-Making Ideas

## Necklace Chain

- Use the cutter to cut a sheet paper into 12 narrow strips the length of the short end of the paper.
- Feed strips through the crinkler.
- Use gluestick to attach the ends of a strip and make a ring.
- Loop another strip through the ring and glue ends together. Keep looping and gluing, then glue the first and last bands together to complete your new ... necklace chain!

## Place Mat

- Use the cutter to cut 2 different sheets of colored paper into narrow strips, each the length of the short end of the paper.
- Feed strips through the crinkler.
- Place half of the crinkled strips side by side. Weave the remaining crinkled strips over and



under the ones you placed side by side ... now you have a colorful place mat!

## Paper Face

- Use the cutter to cut several narrow strips of paper in different lengths and colors.
- Crinkle some or all of the strips as you wish.
- Select a full sheet of paper for the face, and use the gluestick to attach the strips to make eyes, nose, mouth, ears and hair!



## Basket

- Use the cutter to cut 13 narrow strips, each the length of the short end of the paper.
- Feed 9 of the strips through the crinkler.
- Place 4 of the crinkled strips side-by-side in alternating colors. Weave 4 other crinkled strips (in alternating colors) over and under the ones you placed side by side.

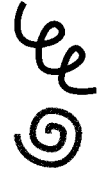
- Use the gluestick to glue the 4 uncrinkled strips around the sides of the mat.
- Fold up each of the sides, using the uncrinkled strips as guides. Glue the corners together.
- Glue the ends of the remaining crinkled strip to the inside middle basket walls on opposite ends to add a handle to your new basket!

## Bracelet

- Use the cutter to cut a narrow strip the length of the short end of the paper.
- Feed the strip through the crinkler.
- Use the strip to form a bracelet band and adjust the size to fit your wrist. Use the gluestick to attach both ends.
- Select a different color paper to make a fringe. Make several small, narrow cuts in the paper by feeding paper through cutter only about halfway. For your final cut, feed paper through



These are just a few of the fun projects you can do with the Cuts, Crinkles 'N Curles™ activity toy. But with a touch of imagination and a dash of creativity, you'll find you and your child can make an endless number of unique and delightful designs.



© 1996 Hasbro, Inc., Pawtucket, RI 02862 USA. All Rights Reserved. ® denotes Reg. U.S. Pat. & ™ Office.

CONFORMS TO ASTM D-4236

MADE IN CHINA

P/N 46699101

20001/20005 Asst.