

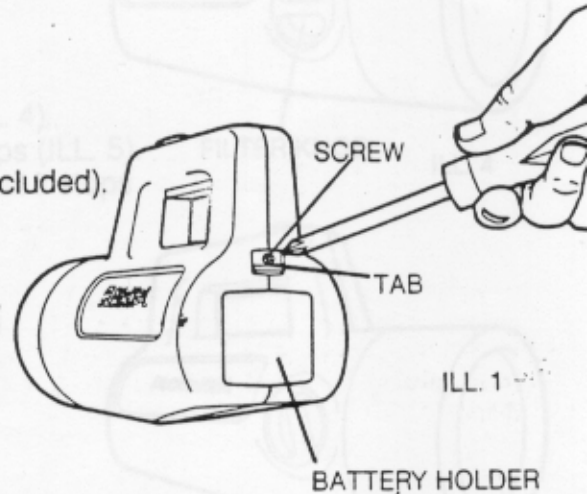
INSTRUCTIONS

How to Install Batteries in Playskool® Flashlight:

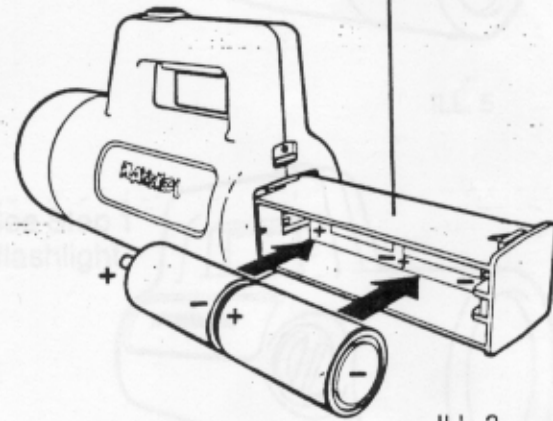
Note to Parents: Batteries should be installed by an adult.

The Playskool Flashlight operates on 2 "C" cell batteries (not included). For best performance, alkaline batteries are recommended.

STEP 1. Locate tab on back end of flashlight. Remove screw, located above tab, with a phillips head screwdriver. If you should lose the screw, a No. 4 self-threading screw may be substituted. With thumbnail or coin, move tab up to unsnap battery holder (ILL. 1).



STEP 2. Slide out battery holder. Insert 2 "C" cell batteries as shown in diagram located inside battery holder. (ILL. 2).



STEP 3. Slide battery holder into flashlight until holder clicks securely in place.

STEP 4. Replace screw to secure battery holder.

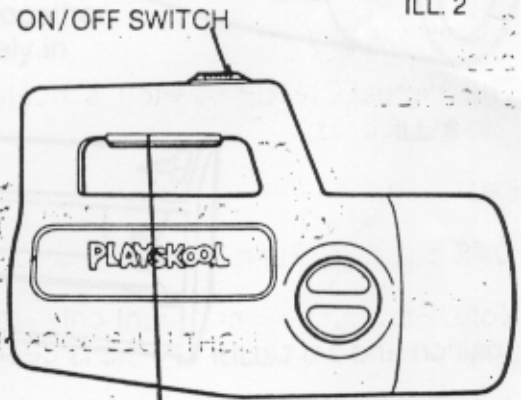
ON/OFF Switch

The manual ON/OFF switch is located on top of flashlight handle (ILL. 3).

ON position: Push switch towards front.

OFF position: Push switch towards back.

Note: Flashlight will emit light only when switch is in "ON" position and bar under handle is depressed.



Automatic Off Bar:

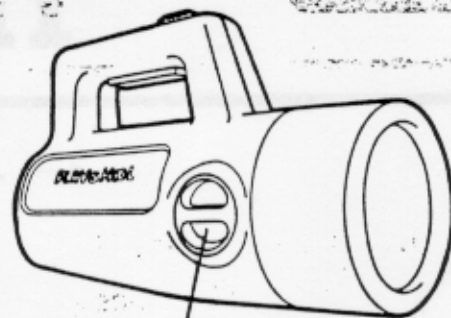
Playskool Flashlight is designed to turn off automatically to conserve battery life. To keep flashlight on when using, hold flashlight by handle and lightly press bar located under handle. (ILL. 3). When bar is released, flashlight will shut off automatically after approximately 30 seconds.

How to Change Light Colors:

Your Playskool Flashlight has 3 colors of light—white, red and green!

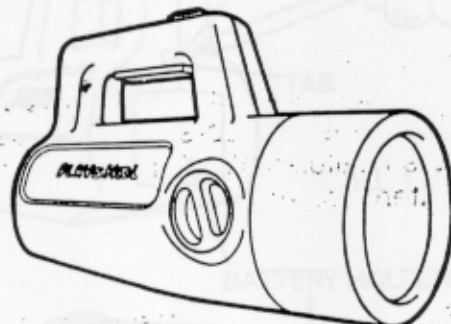
To change colors, locate round filter knob on side of flashlight.

- For white light: Turn knob lever so knob handle is horizontal (ILL. 4).
For red light: Turn knob lever clockwise (to the right) until it stops (ILL. 5).
For green light: Turn knob lever counterclockwise (to the left) until it stops (ILL. 6).



FILTER KNOB ILL. 4

Now you can perform exciting color shows with your Playskool Flashlight!



ILL. 5

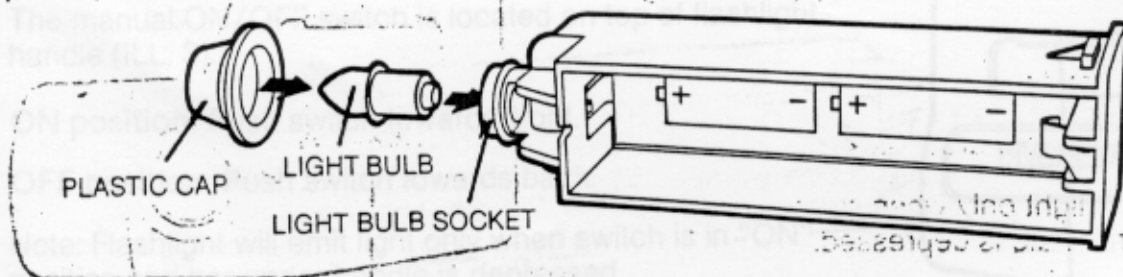
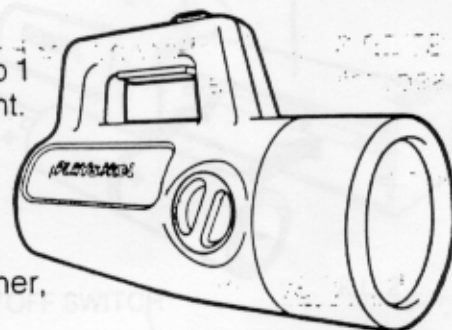
How to Change Light Bulb:

NOTE: A light bulb is included with your Playskool Flashlight. If bulb should need replacing, use a PR-2 light bulb.

1. To replace light bulb, remove battery holder from flashlight (See Step 1 under "How to Install Batteries"). Pull holder completely out of flashlight.

2. Pull plastic cap from battery holder and discard light bulb.

3. Place new light bulb in plastic cap. Holding light bulb and cap together, push light bulb into light bulb socket. Make sure cap snaps securely in place (ILL. 7).



4. Slide battery holder into flashlight until holder clicks securely in place. Replace screw in back end of flashlight to secure battery holder.

Playskool Flashlights designed to turn off automatically to conserve battery life. To keep flashlight on when using, hold flashlight by handle and lightly press bar located on top handle (ILL. 3). When bar is released, flashlight will shut off automatically after approximately 10 seconds.

©1987 Playskool, Inc., Pawtucket, RI 02862 USA, a subsidiary of Hasbro, Inc. All Rights Reserved. Made in Macau. Electronics made in Hong Kong. H32