



Racer

Instructions



For future reference, our toll-free consumer service number is also located on this product.

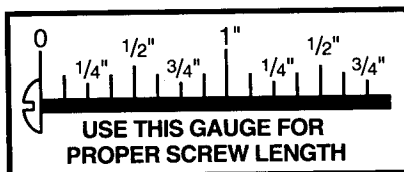
WARNING: Contains small parts which may present a choking hazard to children under three.

PLEASE KEEP THIS GUIDE AND ALL LITERATURE FOR FUTURE REFERENCE

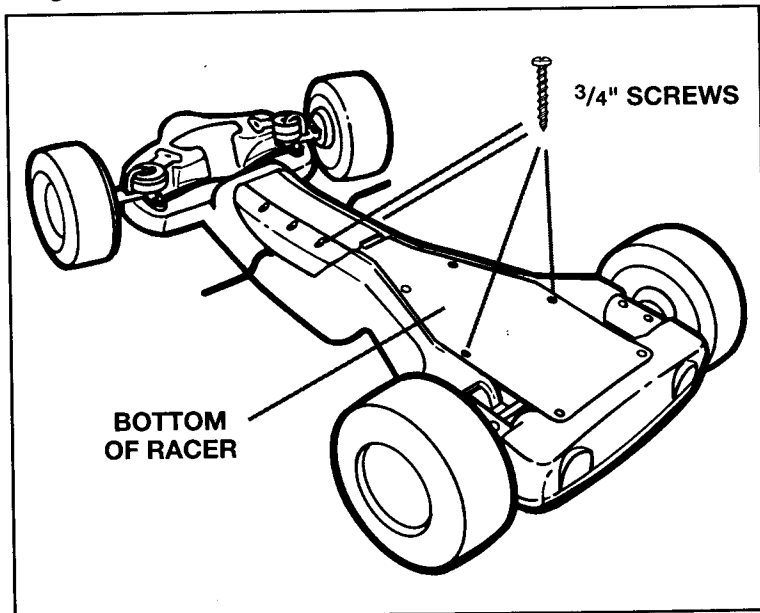
Adults Please Note: This product should be assembled by an adult. Periodically check all hardware to be sure it is secure. Please read instructions prior to assembly. Study each step carefully to familiarize yourself with procedure and parts. Refer to back page for illustrated parts list. For easier assembly, trim excess plastic from all parts before starting.

TOOLS REQUIRED (NOT INCLUDED): Hammer, Phillips® screwdriver and a small block of wood.

CAUTION: ADULT SUPERVISION AND INSTRUCTION REQUIRED REGARDING THE PROPER USE OF THIS TOY. THIS RIDE-ON TOY SHOULD NOT BE USED NEAR SWIMMING POOLS, ON OR NEAR HILLS, ROADWAYS, SLOPED DRIVEWAYS, ALLEYS OR STEPS. SHOES MUST BE WORN AT ALL TIMES. ONLY ONE RIDER AT A TIME. DO NOT RIDE AFTER DARK. DO NOT CARRY ANYTHING, PARTICULARLY OBJECTS THAT IMPAIR VISION, WHILE RIDING THIS TOY. DO NOT LEAVE CHILD UNATTENDED WHILE RIDING THIS TOY.

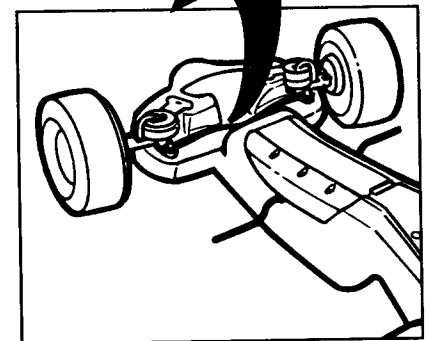
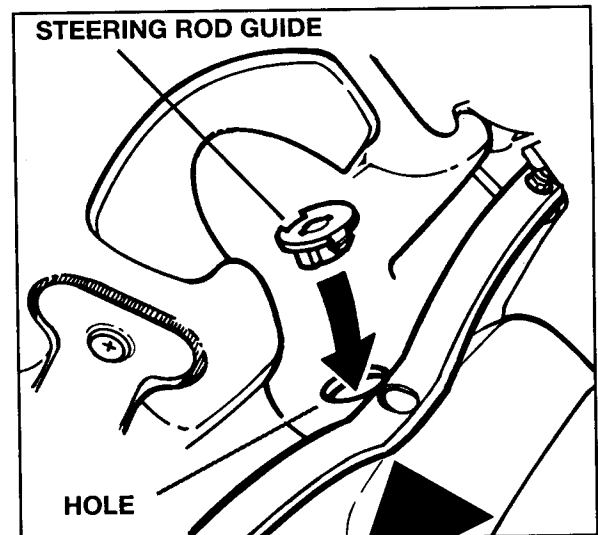


For easy parts reference, a complete parts listing and diagram are illustrated on back page.



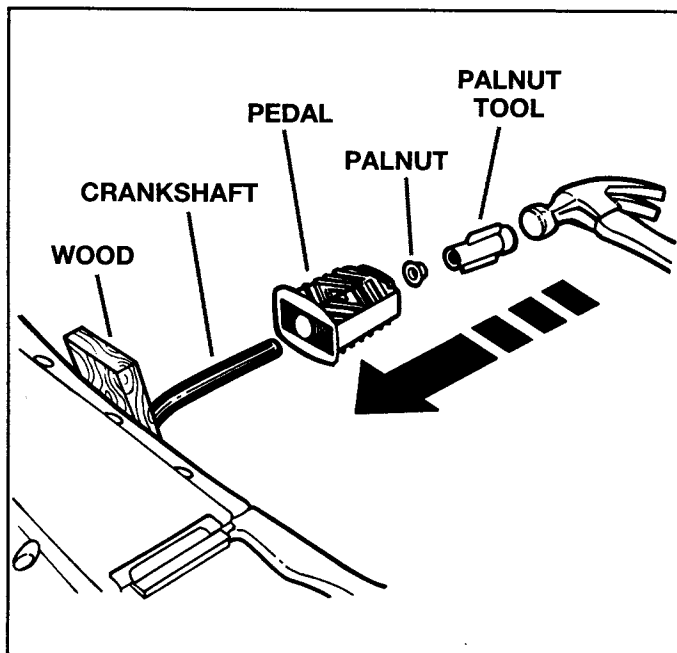
STEP 1. SECURING BODY SCREWS

Turn Racer over and insert four $\frac{3}{4}$ " screws into body holes as shown. Check to make sure screws that are already in place are securely tightened. **NOTE: DO NOT OVERTIGHTEN SCREWS.**



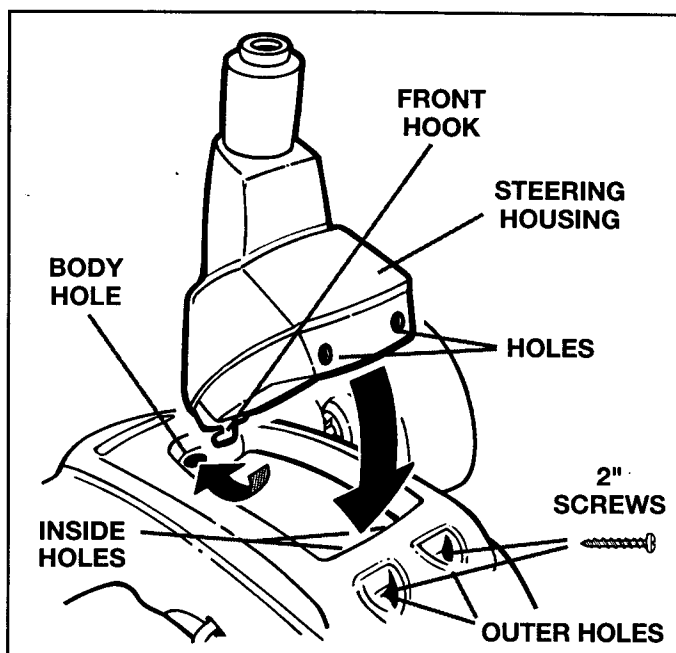
STEP 2. STEERING ROD INSERTION

Snap steering rod guide into hole in bottom front of Racer body as shown.



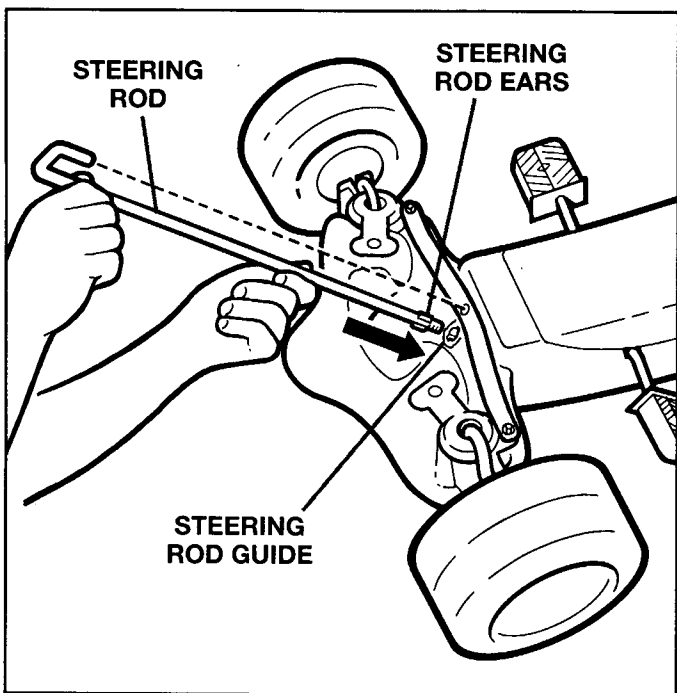
STEP 3. FRONT PEDAL ASSEMBLY

Slide pedal over end of pedal crankshaft. NOTE: The flat end of the pedal should be facing in towards Racer body as shown. Place block of wood between crankshaft and side of Racer for support as shown. Fit Palnut over end of crankshaft. Fit Palnut tool over Palnut. Using hammer, hit Palnut onto end of axle. Repeat process for other side.



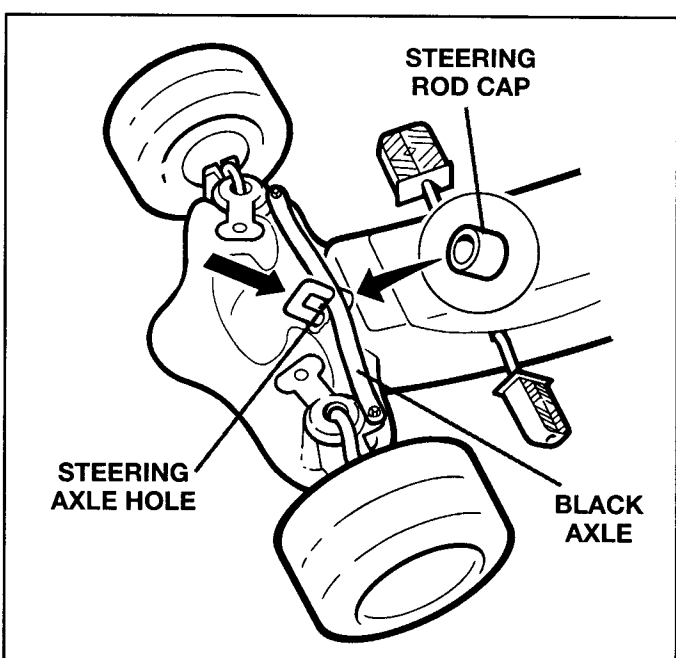
STEP 4. STEERING HOUSING ASSEMBLY

Turn Racer right side up. Insert 2" screws into outer holes in Racer body so they protrude **JUST SLIGHTLY** through inside holes. Insert front end of steering housing into body so that front hook fits into inside body hole. Push back of steering housing down into place while aligning holes in steering wheel housing with 2" screws in Racer body. Insert screws into steering wheel housing holes. NOTE: DO NOT OVERTIGHTEN SCREWS.



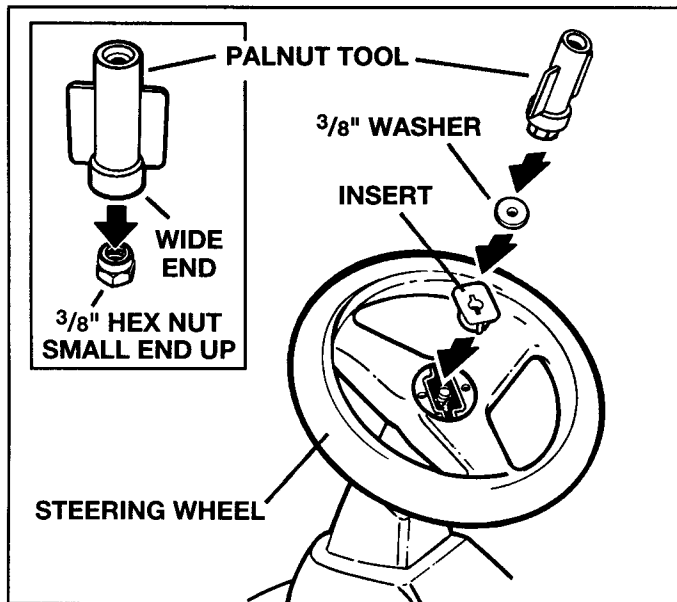
STEP 5. STEERING ROD ASSEMBLY

Turn Racer over. Fit steering rod ears into steering rod guide grooves and push rod up through steering housing until rod extends through top of housing.



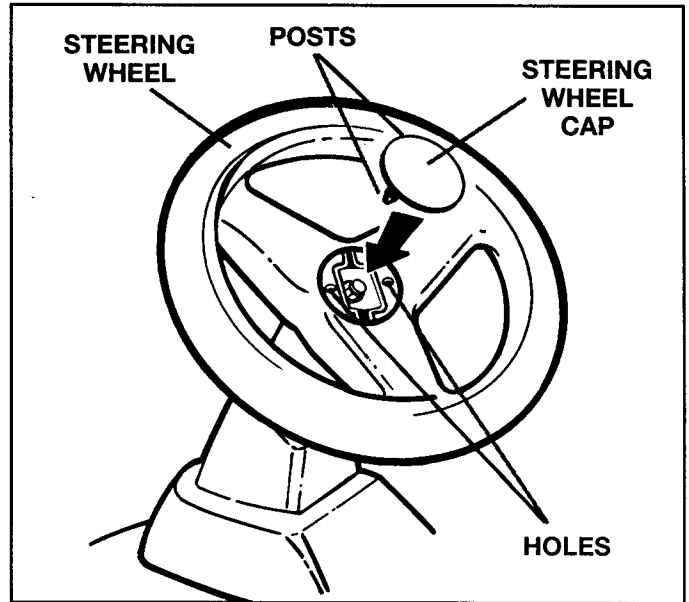
STEP 6. STEERING ROD ASSEMBLY Cont'd.

Position steering rod cap directly between steering axle hole in black axle and Racer body. Align hooked end of steering rod with steering axle hole and steering rod cap. Push steering rod end through steering axle hole and insert **COMPLETELY** into steering rod cap.



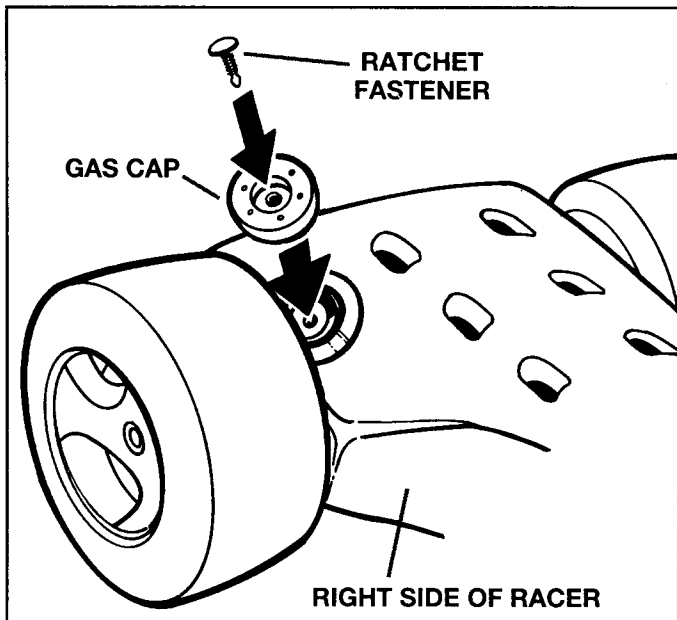
STEP 7. STEERING WHEEL ASSEMBLY

Place steering wheel insert into steering wheel. Place steering wheel and insert onto steering rod, making sure grooves in insert are aligned with steering rod ears. Turn Racer right side up. While holding hooked end of steering rod securely in place, use wide end of Palnut tool to fit insert down onto rod until threads at end of rod are exposed. Continue holding hooked end of steering rod and fit $\frac{3}{8}$ " washer over rod. Place $\frac{3}{8}$ " hex nut on a flat surface. Press the wide end of Palnut tool over the smaller end of hex nut to lodge nut into Palnut tool (inset). Then thread hex nut onto steering rod until nut is securely in place. Remove Palnut tool; hex nut should remain on steering rod with top of rod almost flush with hex nut.



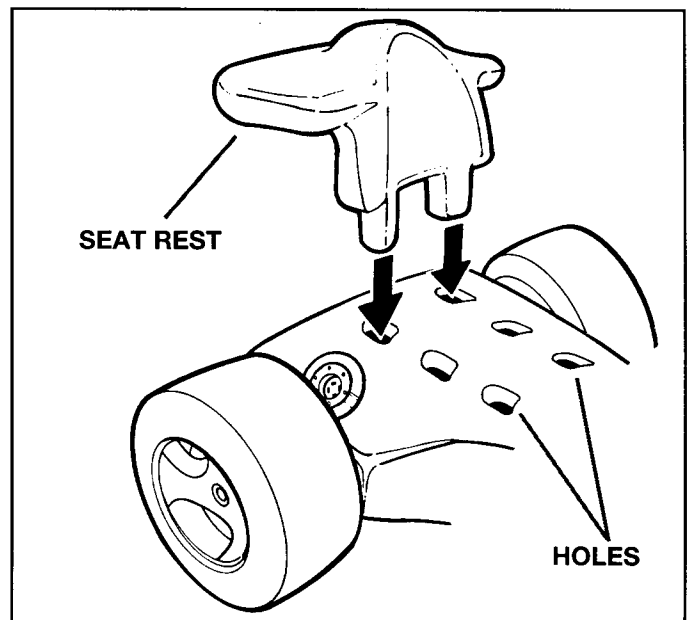
STEP 8. STEERING WHEEL CAP ASSEMBLY

Press steering wheel cap posts into steering wheel holes as shown.



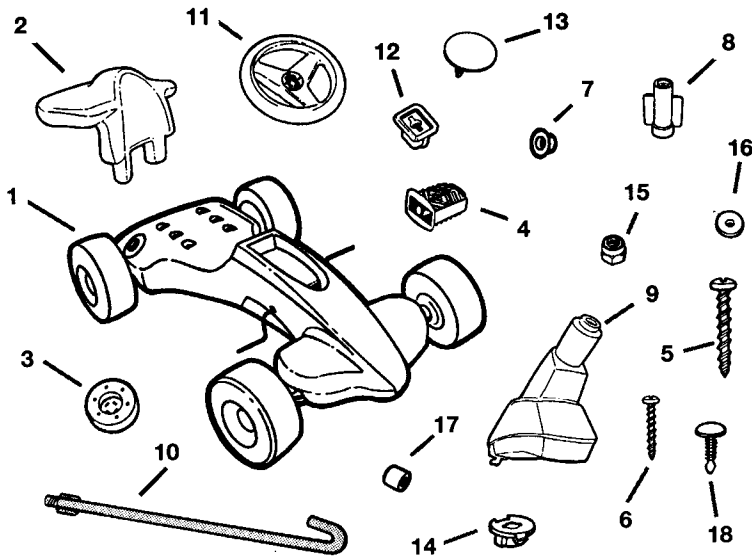
STEP 9. GAS CAP ASSEMBLY

Snap ratchet fastener into plastic gas cap. Insert gas cap into hole in right side of Racer.



STEP 10. SEAT ASSEMBLY

Insert posts on seat rest into holes in body as shown. NOTE: You can adjust the seat to 3 different positions. Be sure your child's feet rest firmly and are centered on the pedals when riding this toy.



Replacement Parts Order Form
PARTS DIAGRAM FOR
PLAYSKOOL® RACER
Ride-on Model 50700

Please check all parts carefully before assembly.

- | | |
|-----------------------------------|---------------------------|
| 1. ASSEMBLED BODY WITH WHEELS (4) | 10. STEERING ROD |
| 2. SEAT REST | 11. STEERING WHEEL |
| 3. GAS CAP | 12. STEERING WHEEL INSERT |
| 4. PEDALS (2) | 13. STEERING WHEEL CAP |
| 5. 2" SCREWS (2) | 14. STEERING ROD GUIDE |
| 6. 3/4" SCREWS (5)* | 15. 3/8" HEX NUT |
| 7. PALNUTS® (3)* | 16. 3/8" WASHER |
| 8. PALNUT TOOL | 17. STEERING ROD CAP |
| 9. STEERING HOUSING | 18. RATCHET FASTENER |

*Extra piece included.

If you have any questions, comments, or need additional information concerning this product or its parts, please call our Playskool Consumer Service hotline at 1-800-PLAYSKL (1-800-752-9755), Monday through Friday, 8:00 AM to 5:00 PM Eastern Time.

All written inquiries should be mailed to: Playskool Consumer Service Department, P.O. Box 200, Pawtucket, Rhode Island 02862-0200

ITEM NO.	DESCRIPTION	PART NO.
2	1 Seat Rest	43399600
3	1 Gas Cap	43403300
4	Pedal Kit - 2 Pedals, 2 Palnuts®, Palnut Tool	Kit 1001
5	2" Screws (2)	43315600
6	3/4" Screws (7)	907019000
7	Palnuts (3)	44092200
8	Palnut Tool	43403400
9	Steering Housing	43399700
10	Steering Rod	43404000
11	Steering Wheel	43399800
12	Steering Wheel Insert	43432400
13	Steering Wheel Cap	43403200
14	Steering Rod Guide	44176500
15	3/8" Hex Nut	44212000
16	3/8" Washer	44212100
17	Steering Rod Cap	44442300
18	Ratchet Fastener	43136900

Palnut® is a registered trademark of TRW, Inc. All Rights Reserved.
 © 1993 Playskool, Inc., Pawtucket, RI 02862 U.S.A., a subsidiary of Hasbro, Inc. All Rights Reserved.
MADE AND PRINTED IN U.S.A.
 ® denotes Reg. U.S. Pat. & TM Office
 50700 P/N 43559601